

PHOTO-TOP TECHNOLOGIES CO.,LTD. BATTERY CONNECTOR

2023 PRODUCT LIST



PHOTO-TOP TECHNOLOGIES CO., LTD.
NO.57.LANE 458,SEC 4,ZHONGHUA RD, XIANGSHAN DIST.
HSINCHU CITY 30060, TAIWAN , R.O.C
TEL: +886 3 5396811 FAX: +886 3 5381793
WWW.PHOTO-TOP.COM.TW



website



Amazon



Taiwantrade



Facebook



**Photo - Top
Technologies Co.,Ltd.**



Photo-Top Technologies is a company specializing in all kinds of auto parts and high-quality products. It can be provided the Top products and the professional technologies to achieve the achievements of customers

Photo-Top Technologies to be established in 2001, it is focus on creating and developing all kinds of auto parts accessories and power protection device .

After the hard working many years , It provide the high-quality products in the automotive industry and got the confidence / responsibility from the customers.

We believe that the core value of our company is to solve and satisfy the customer's issues and request.

Photo-Top Technologies can provide you with the service goals of product diversification, market segmentation and a small amount of variety, providing customers with one-stop shopping services, reducing procurement search costs, and also providing customers with OEM and ODM business services to meet your demand.

Table of Contents

Brand Story	1	Toggle Switch Guard	9
Product Description	2	Connectors - Cooling Fan	9
Application Of Battery connectors	3	Connectors - 3 Cavities	10
Features of Battery connectors	3	Connectors	10
Lamp Socket	4	T Blade Plug Adapter	11
Lamp Connector Harness	4	OBDII connector	11
Headlamp Connector Harnesses	4	Double Port USB Charger Socket	11
Lamp Connector	5	Generator Connector	11
H13 9008 Bulb Socket	7	Lamp Socket Assembiles	12
9003 Type Connector with lead wire harness	7	5 Pin Relay Connector Harness	13
250 Type-Retainer	7	Headlamp Connector Harnesses	13
Micro Switch	8	Lamp Socket Assembiles	14
TOGGLE SWITCH	8	Holder For Relay 40A 4 PIN	20
5 Pin Relay Connector Harness	8	PUSH BUTTON SWITCH	20
GM Original Equipment Multi	9	F CONNECTOR	20
Seal Beams & Flasher Assemblies	9		

Product Description

Circuit Breakers



Overload protection: Circuit breakers are designed to automatically interrupt an electrical circuit when they detect an overload, protecting against electrical hazards and damage to equipment.

Short-circuit protection: Circuit breakers also protect against short-circuits by automatically interrupting the flow of electricity when they detect a fault in the circuit.

Resettable: Most circuit breakers can be easily reset after they trip, allowing for quick and convenient restoration of power.

Automotive fuse



Fuses come in different shapes, sizes, and amperage ratings to match the specific needs of the electrical system in a car.

They are typically made of a metal wire or filament that melts when too much current flows through it, interrupting the flow of electricity and preventing damage to the vehicle's electrical components.

Fuse Holder



Fuse holders come in different types, including blade fuse holders, mini fuse holders, and maxi fuse holders, to match the different sizes and types of fuses used in a vehicle.

They are typically made of a durable, heat-resistant material such as plastic or metal and are designed to securely hold the fuse in place, while providing easy access for maintenance and replacement.

Battery Terminals



Battery terminals come in two main types: positive and negative. The positive terminal is usually marked with a "+" symbol, while the negative terminal is marked with a "-" symbol. Both terminals are usually made of brass or other conductive materials and are designed to fit snugly onto the battery posts.

Battery terminals may also include a terminal cover, which is a protective cover that fits over the terminals to prevent accidental contact and provide additional protection from environmental factors such as moisture, dirt, and corrosion.

Battery Connector



Battery connectors come in different types, including clamp connectors, eyelet connectors, and plug-and-socket connectors.

Clamp connectors, also known as battery clamps, are the most common type of battery connector and are used to secure the battery cable to the battery post. They consist of a metal clamp that fits over the battery post and a screw or bolt that tightens down to secure the cable in place.

Relay



Relays are used in cars because they allow the control of high-power circuits with a low-power signal, typically from a switch or control module.

This helps to reduce the size and weight of the wiring and switches in a vehicle, and also helps to protect the electrical system by isolating the high-power circuit from the control circuit.

Battery Accessories



Car battery accessories are a group of components and devices that are used to support the operation and maintenance of a car's battery.

These accessories are designed to enhance the performance, efficiency, and longevity of the battery, as well as to provide safety and protection for both the battery and the vehicle.

PHOTO-TOP TECHNOLOGIES CO., Ltd.
Make your driving more comfortable

Product Catalog

Click here to download the catalog

Show our product

Application Of Battery Connector

Battery connectors are used in various applications, including but not limited to:

Automotive: Automotive batteries use connectors to connect the battery to the electrical system in a car, truck, or other vehicles.

Marine: Marine batteries use connectors to connect the battery to the electrical system in boats, yachts, and other watercraft.

Industrial: Industrial batteries use connectors to provide backup power or power to various machinery, equipment, and tools.

Renewable Energy: Renewable energy systems, such as solar panels and wind turbines, often use battery connectors to store excess energy generated by the system.

Consumer Electronics: Battery connectors can be found in consumer electronics, such as laptops, smartphones, and portable power banks.

Backup Power: Battery connectors are used in backup power systems, such as uninterruptible power supplies (UPS), to provide power during outages or failures.



Features of Battery Connector

Material:

Battery connectors are made from a variety of materials, including copper, brass, and aluminum, which provide excellent electrical conductivity and corrosion resistance.

Design:

Battery connectors come in different designs, including clamp-on, screw-on, and crimp-on, to accommodate different battery types and cable sizes.

Compatibility:

Battery connectors are designed to be compatible with different battery post sizes and types, such as top post, side post, and irregular post batteries.

Conductivity:

Good battery connectors are designed to provide a low-resistance connection between the battery and the electrical system, which maximizes the flow of current and minimizes energy loss.

Safety:

Battery connectors are designed with safety in mind, often featuring insulation or other safety features to prevent accidental electrical discharge and to protect against short circuits.

Durability:

Battery connectors are designed to withstand the harsh and often vibrating environment in which they are used, and to resist corrosion and wear over time.

Connector

1



Lamp Socket

C001-103-0101

- *Double Contact
- *Bulb: 3057
- *Use For : GM 90 Degree Stop-Tail-Turn-Park Wedge Bulb Light Socket
- *Wire spec: 18GA 30cm



Lamp Connector Harness

C001-103-0102

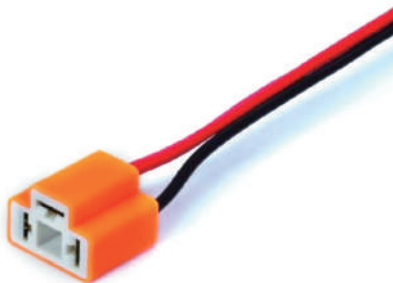
- *9008/H13 Headlamp Female Connector Harness
- *Use For : Headlamp Connector
- *Wire spec: 18GA 30cm



Headlamp Connector Harnesses

C001-103-0103

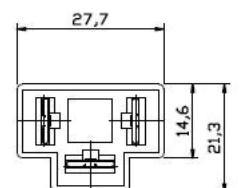
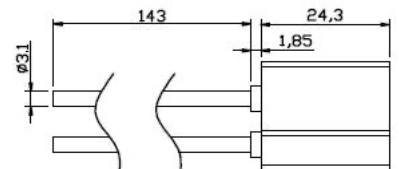
- *H9 Headlamp Connector Harness
- *Use For : Hal Bulb Connector
- *Wire spec: 18GA 30cm



Headlamp Connector Harnesses

C001-103-0104

- * H4 312 Type Headlamp Connector Harness
- *UREA Material
- *Resists Up to 300°C



Connector

2



Lamp Connector

C001-103-0106

- *Headlamp Socket Assembly for High
- *Low Beam/ 18GA 30CM
- * 9" Wire Lead , Bulbs: 9004, 9007



Lamp Connector

C001-103-0107

- *For #9004 Composite Halogen Bulbs
- *H6/ 14GA 20CM



Lamp Connector

C001-103-0108

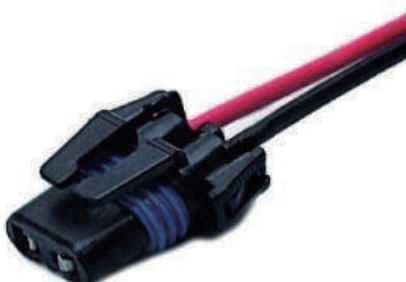
- *Use For : 9004 Composite Halogen Bulbs
- *Wire spec: H6/ 14GA 16CM



Lamp Connector

C001-103-0109

- *Headlamp Socket Assembly for High Beam
- *18GA 30CM , 9" Wire Lead
- *Bulbs: 9005



Lamp Connector

C001-103-0110

- *For #9005 Halogen Bulbs
- *H6/ 14GA 16CM

Connector

3

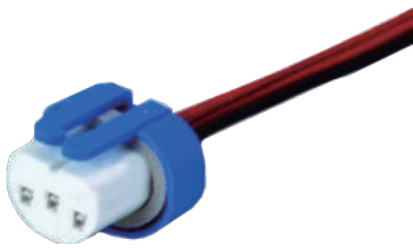


Lamp Connector

C001-103-0111

*BMW 9005 Headlamp Connector Harness

*18GA 24CM



Lamp Connector

C001-103-0113

*9004/9007 Headlamp Connector Harness

*UREA Material , Resists Up to 300°C

*14GA 16CM Resists Up to 300°C



Lamp Connector

C001-103-0114

*9005 Headlamp Connector Harness

*UREA Material , Resists Up to 300°C

*14GA 16CM



Lamp Connector

C001-103-0116

*9004/9007 Headlamp Male Connector Harness

*18GA 30CM



Lamp Connector

C001-103-0117

9005 Headlamp Male Connector Harness

18GA 30CM

Connector

4



H13 9008 Bulb Socket

C001-103-0119

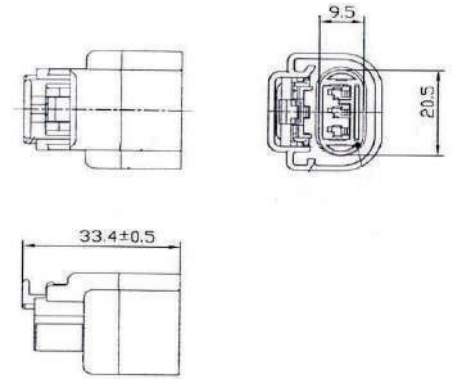
* Brand New Headlight Socket Connector Pigtail

* Socket fits H13/9008 bulbs

* Durably designed for a long service life H13/9008 bulbs

* Available in many different wire configurations including 1-, 2-, and 3-wire

* Harness Total Length 8.75"



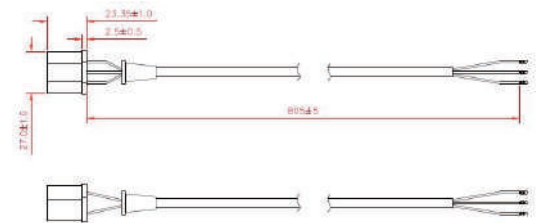
9003 Type Connector with lead wire harness

C001-103-0121

* 9003 Type Connector

* with lead wire harness

* copper wire, 28 strand



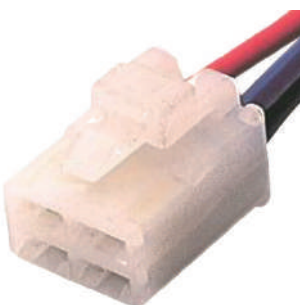
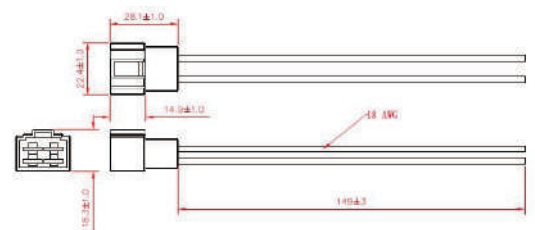
250 Type-Retainer

C001-103-0122

* 250 Type-Retainer

* 4 Pin Male

* AV 18GA 16CM



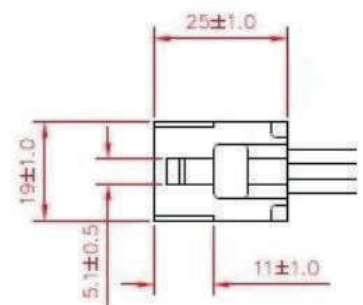
250 Type-Retainer

C001-103-01222

* Universal Connector Harness

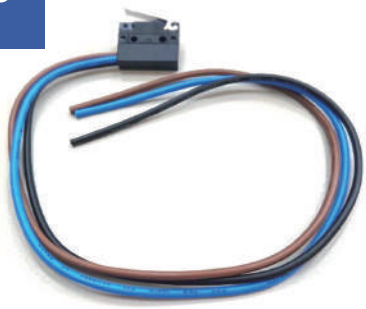
* 4 Pin Female

* AV 0.18/20 OD2.5 18AWG 160mm



Connector

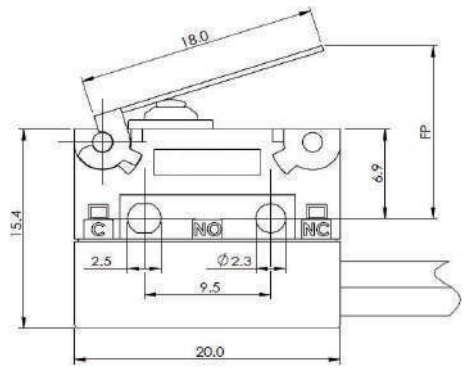
5



Micro Switch

C001-103-0123

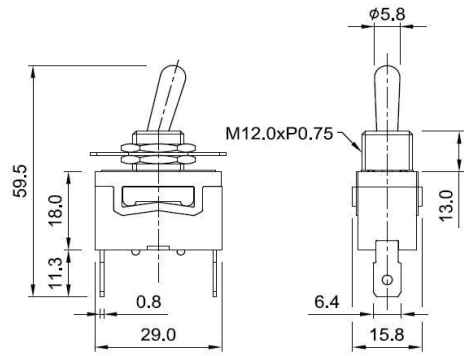
- *Rating: 6A 25V DC / 250V AC , UL1015 24AWG 30cm
- *Contact resistanc: 50MΩmax. for terminal models , 70MΩmax. for molded lead wire models.
- *Insulation resistance: 100MΩmin.(at Dc 500V)
- *Dielectric strengtn: AC 1000V (50/60HZ for 1 minute)
- *Ambient operating temperatur: -40° C - +120° C (wihout wire leads)



TOGGLE SWITCH

C001-103-0124

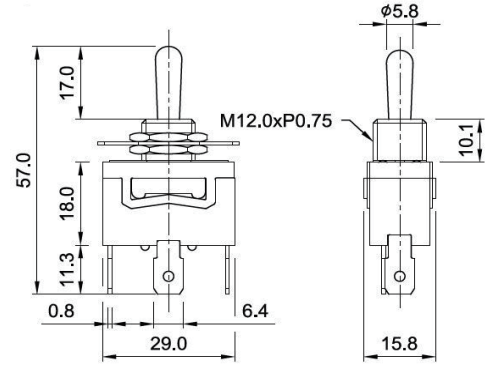
- *Single Pole Single Throw Switch
- *2 Positioning Off-On
- *2 Blade terminals
- *Nickel plated Bronze Contacts



TOGGLE SWITCH

C001-103-0125

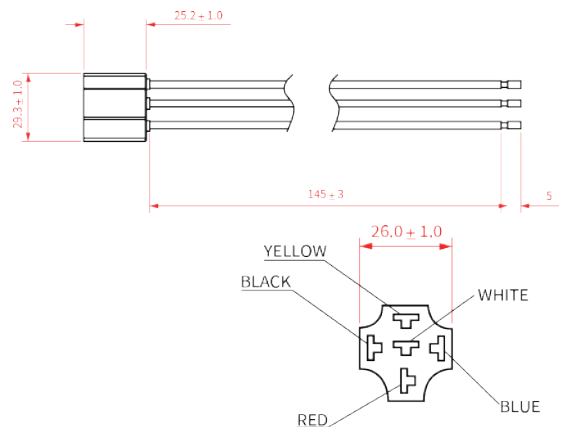
- *Single Pole Double Throw Switch
- *3 Positioning On-Off-On
- *3 Blade terminals
- *Nickel plated Bronze Contacts



5 Pin Relay Connector Harness

C001-103-0126

- *4 & 5 Pin Relay Connector Harness
- *UREA Material
- *#12, Yellow, 5mm half-cutting
- *Resists Up to 300°C



Connector

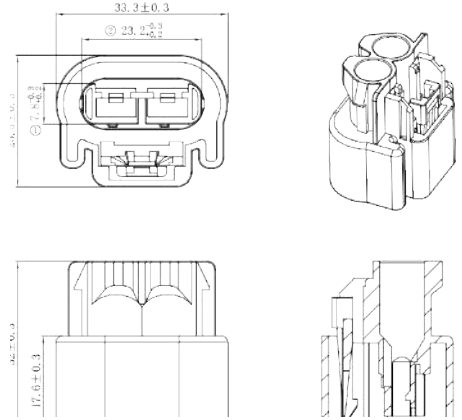
6



GM Original Equipment Multi-Purpose Wire Connector

C001-028-0002

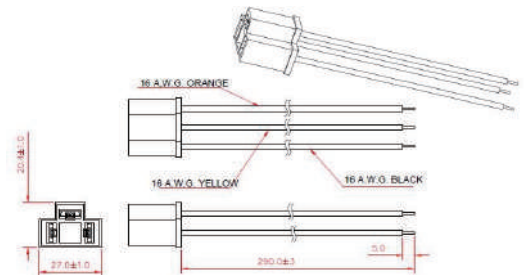
- *CONDUCT Material : Soft-annealed tinned copper
- *CONDUCT Size : 4.6mm²
- *Rating : 70° C, 450/750V
- *INSULATION Diameter : 4.5mm ±0.10



Seal Beams & Flasher Assemblies

C001-103-0128

- *Material:ABS
- *Gauge:16
- *Length:12" Lead



Toggle Switch Guard

C001-103-01431

- *Switch type: Toggle accessory
- *Description: Toggle Switch Guard, plated steel, On - Off
- *Mounting hole dimension: 2 .140" (3.57mm) Holes on 1.87" (47.62mm) centers
- *For switches with 15/32" diameter mounting stems with a keyway.



Connectors - Cooling Fan

C001-103-0144

- *CONDUCT Material : Soft-annealed tinned copper,
- *CONDUCT Size : 3.0mm²
- *Rating : 70° C, 450/750V
- *INSULATION Diameter : 3.6mm ±0.10

Connector

7



Connectors - 3 Cavities

C001-103-0145

*CONDUCT Material : Soft-annealed tinned copper,

*CONDUCT Size : 3.0mm²

*Rating : 70° C, 450/750V

*INSULATION Diameter : 3.6mm ±0.10

Connectors

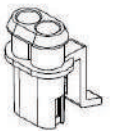
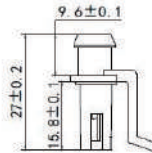
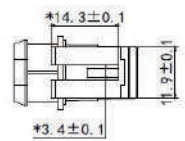
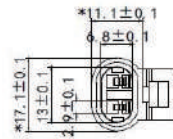
C001-103-0149



*#18, black, #18, red,

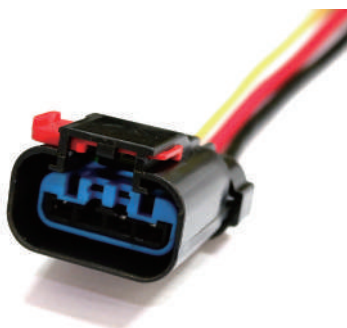
*Connector will come with 250mm of wire

*Color:black



Connectors

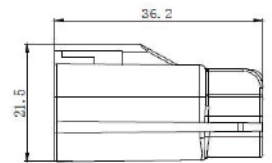
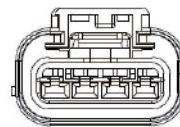
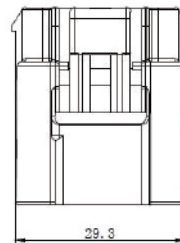
C001-103-0150



*#12, black, #12, red, #20, Yellow,

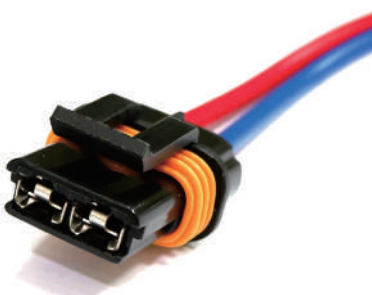
*Connector will come with 22cm of wire

*Color:black



Connectors

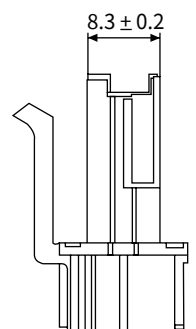
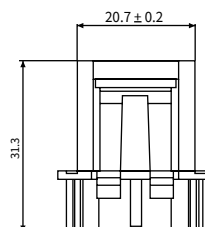
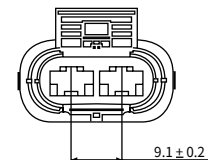
C001-103-0151



*#10, blue, #10, red,

*Connector will come with 22cm of wire

*Color:black



Connector

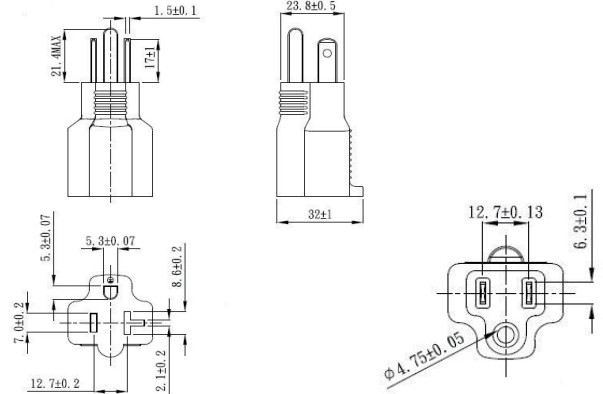
8



T Blade Plug Adapter

C001-103-0153

- *Rating:15A 125V
- *Insulation Resistance:100MΩ
- *Dielectric Voltage:2000V/sec

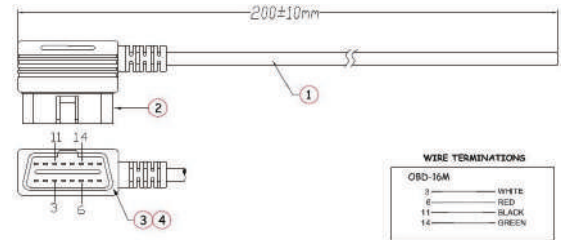


OBDII connector

C001-103-0201

- *UL2517 20AWG 4C , CABLE OD=5.5~6 , COLOR:BLACK
- *OBD 16PIN MALE PLUG
- *INNER PE MOLDING

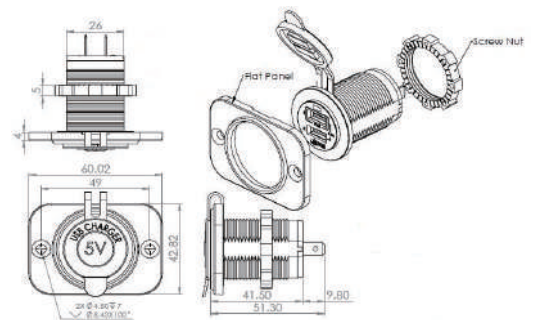
BLACK PVC 50P MOLDING



Double Port USB Charger Socket

C001-103-0205

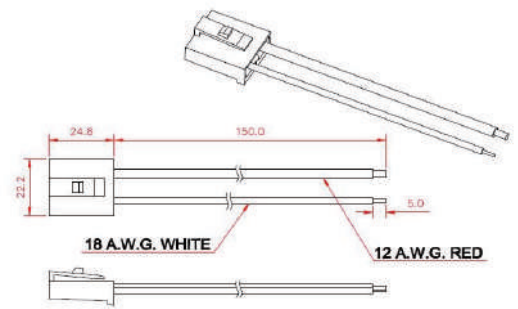
- *Input: DC 10-28V (for both 12V/24V Systems)
- *Output: DC 5V 3.4A Max (2.4A + 1A)
- *LED power indication
- *Flame retardant Nylon (glass fiber reinforced) enclosure
- *0.250" Quick Connect Terminals



Generator Connector

C001-103-0214

- *GM Pigtail 1986-70
- *For Alternator with Internal Voltage Regulator
- *6" Wire Lead
- *12GA(RED) wire and 1 x 16GA (WHITE)



Connector

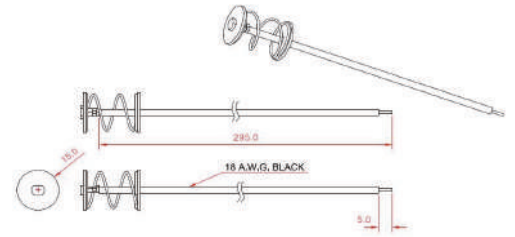
9

Lamp Socket Assemblies

C001-103-0216



- *Single Contact Pigtail
- *For Standard Base Bulbs
- *Phenolic Disc and Brass Contacts
- *12" Wire Lead
- *Bulbs: 63, 67, 81, 93, 209, 1003,1073, 1129, 1133, 1141, 1156

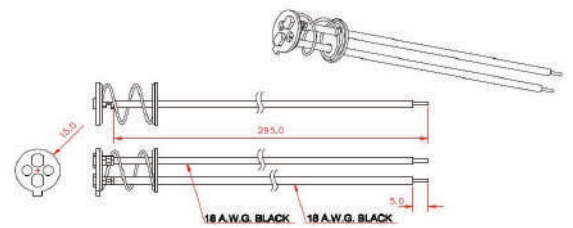


Lamp Socket Assemblies

C001-103-0217



- *Double Contact Pigtail
- *For Standard Base Bulbs
- *Phenolic Disc and Brass Contacts
- *12" Wire Lead
- *Bulbs: 64, 68, 82, 88, 90, 94, 210,1004, 1034, 1074, 1130, 1154, 1158

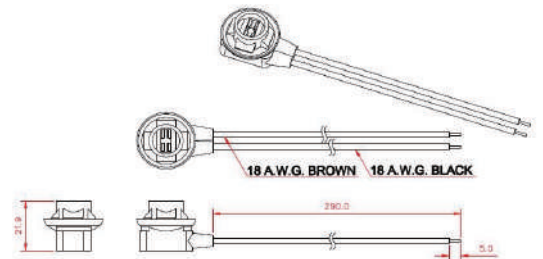


Lamp Socket Assemblies

C001-103-0218



- *Double Contact
- *Cornering / License / side Marker / Stop / Tail Lamps 1993-68
- *PVC Molded Housing
- *9" wire lead
- *Bulbs : 158, 161, 194, 194N

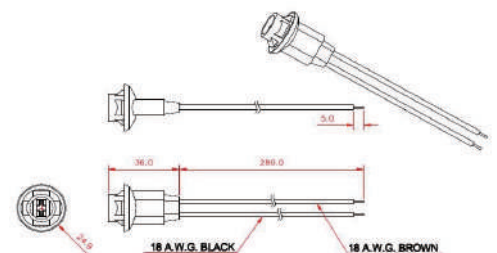


Lamp Socket Assemblies

C001-103-0219



- *Double Contact
- *Cornering / License / Side Marker / Stop / Tail
- *PVC Molded Housing
- *12" wire leadMolded Housing
- *Lamps 1993-68leadMolded Housing



Connector

10



Lamp Socket Assemblies

C001-103-0220

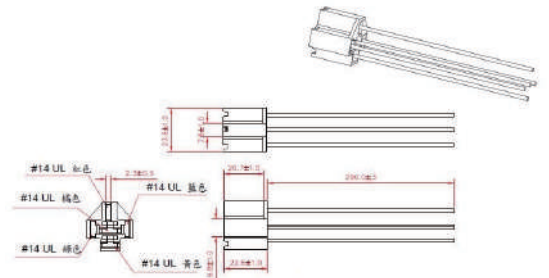
- *Double Contact
- *Stop / Tail / Turn Lamps 1993-88
- *Replaces: 12083006, LS12
- *Bulbs: 2057, 3057

5 Pin Relay Connector Harness

C001-103-0221



- *Connector for 4 and 5 Terminal Mini Relay
- *5 Color Coded Leads

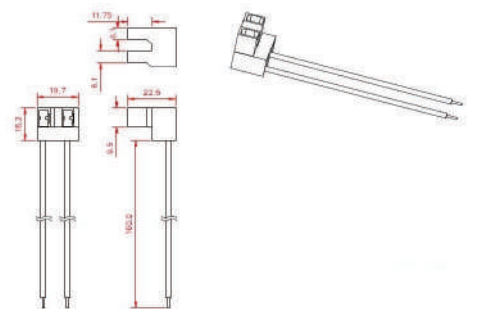


Headlamp Connector Harnesses

C001-103-0222



- *H7 Headlamp Socket Connector Harness

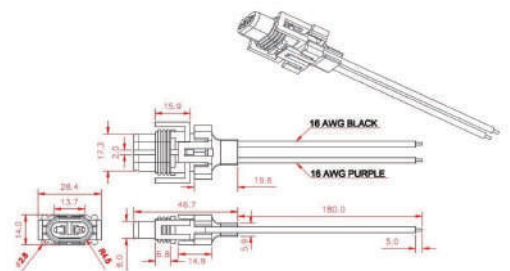


Headlamp Connector Harnesses

C001-103-0223



- *Halogen Socket for 881 & 889 Cornering/Fog 1993-83
- *Bulb No. 881, 889, 894
- *Replace: 12043215, 12085498, PT120



Connector

11



Headlamp Connector Harnesses

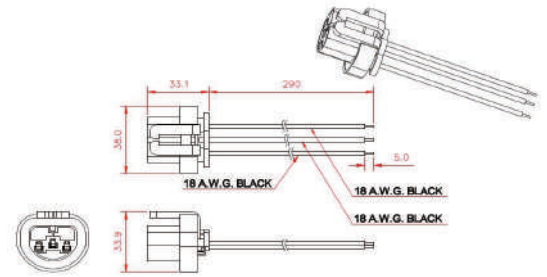
C001-103-0224

*Headlamp Socket Assembly for High-Low Beam

*9" Wire Lead

*Bulbs: 9004, 9007

*Replace: 12117260, PT433, 4400395, 4414332, 4430976, 4439076



Headlamp Connector Harnesses

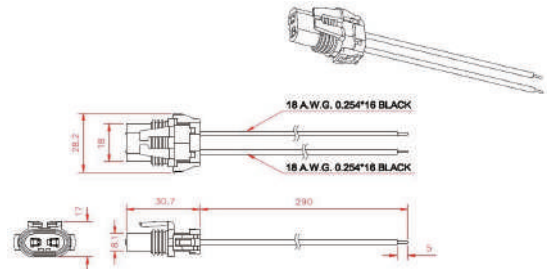
C001-103-0225

*Headlamp Socket Assembly for High Beam

*9" Wire Lead

*Bulbs: 9005

*Replace: 12101898, PT168



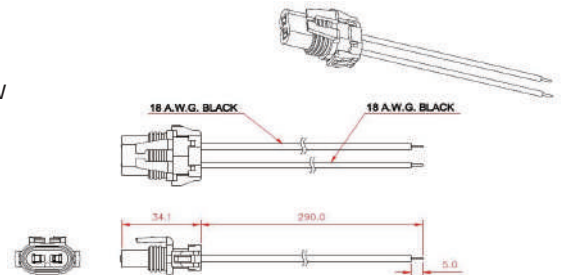
Headlamp Connector Harnesses

C001-103-0226

*Headlamp Socket Assembly for Low Beam

*9" Wire Lead

*Bulbs: 9006



Lamp Socket Assemblies

C001-103-0237

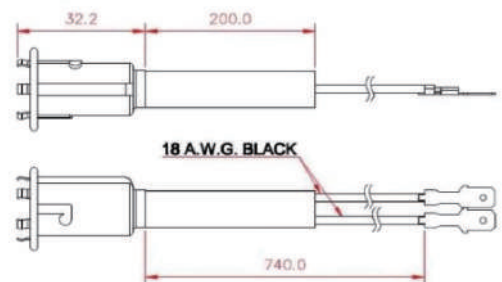
*For Signal/Park/Stop & Tail Universal Double Contact

*With Socket Adapter Plate & Neoprene Boot.

*30" Wire Leads.

*To fit 3/4" hole.

*Lamp NO: 198, 1016, 1034, 1154, 1157



Connector

12



Lamp Socket Assemblies

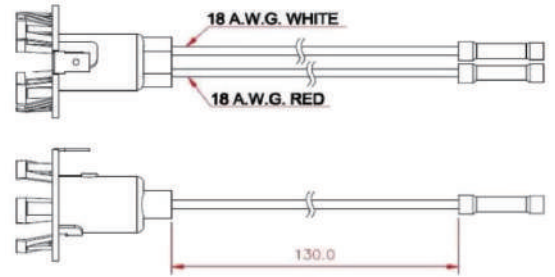
C001-103-0238

*Double Contact Park/Stop/Tail/Turn Lamps

*Fits 1-1/8" (28.60mm) Hole

*5" Wire Lead

*Bulbs: 1034, 1154, 1157



Lamp Socket Assemblies

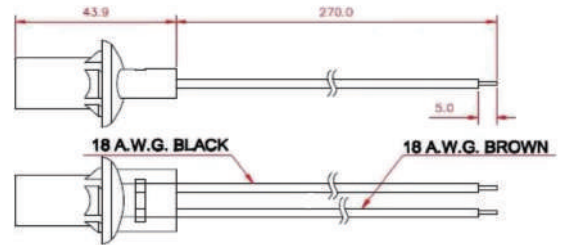
C001-103-0239

*Double Contact License/Park/Side Marker/Stop/Tail

*PVC Molded Housing

*12" Wire Lead

*Bulbs: 194, 194A



Lamp Socket Assemblies

C001-103-0240

*Side Marker-Tail-Corner and License Plate Light Socket

*PVC Molded Housing

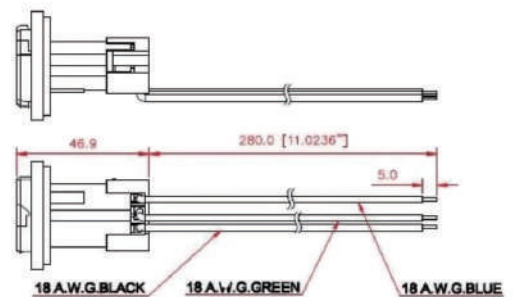
*Lamp No: 67, 131, 158, 161, 168, 194, 194A

Lamp Socket Assemblies

C001-103-0241

*Double Contact Back-Up/Park/Stop/Tail/Turn Lamps

*Bulbs: 3057



Connector

13

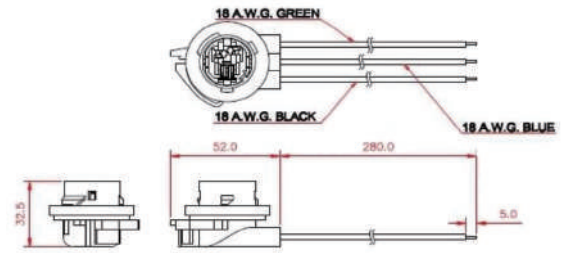


Lamp Socket Assemblies

C001-103-0242

*Double Contact Back-Up/Stop/Tail/
Turn Lamp

*Bulbs: 3057

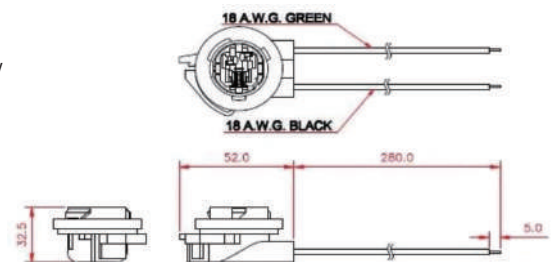


Lamp Socket Assemblies

C001-103-0243

*Single Contact Back-Up/Driving/
License Lamp

*Bulbs: 3056, 3156



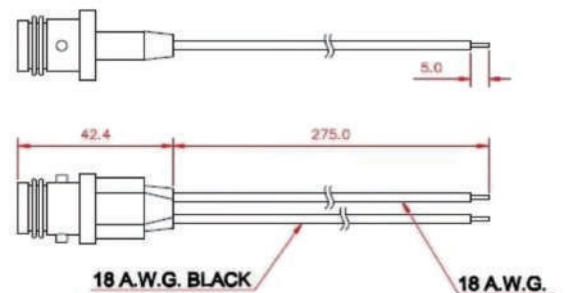
Lamp Socket Assemblies

C001-103-0244

*Double Contact License/Side
Marker Lamp

*PVC Molded Housing

*Bulbs: 194



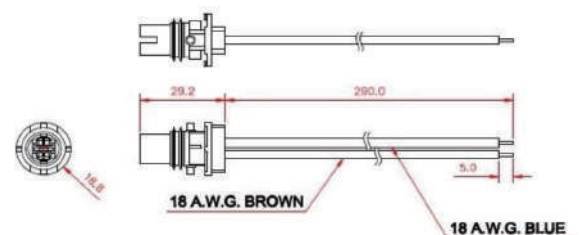
Lamp Socket Assemblies

C001-103-0245

*Double Contact Side Marker Lamp

*PVC Molded Housing

*Bulbs: 24



Connector

14



Lamp Socket Assemblies

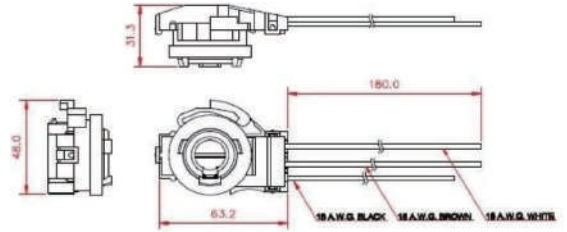
C001-103-0246

*Double Contact Stop/Tail/Turn Lamp

*With Ground Wire

*8" Wire Lead

*Bulb: 1034, 1154, 1157



Lamp Socket Assemblies

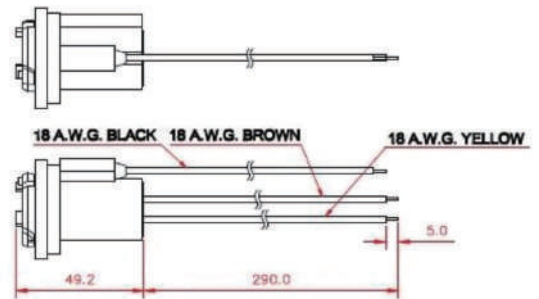
C001-103-0247

*Double Contact Park/Stop/Tail/Turn Lamp

*With Ground Wire

*12" Wire Lead

*Bulb: 1034, 1154, 1157



Lamp Socket Assemblies

C001-103-0250

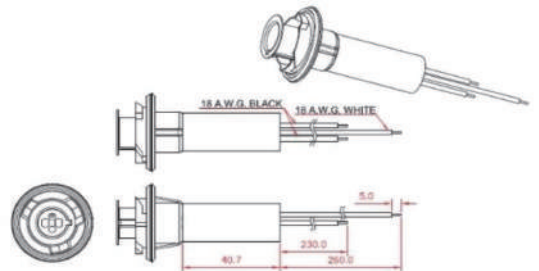
*Double Contact

*Park / Side Marker / Stop / Tail / Turn Lamps

*Weather Resistant Boot with Ground Wire

*Replaces: 3843432, 3843245, 4163003, 4362469

*Bulb: 198, 1016, 1034, 1154, 1157



Lamp Socket Assemblies

C001-103-0251

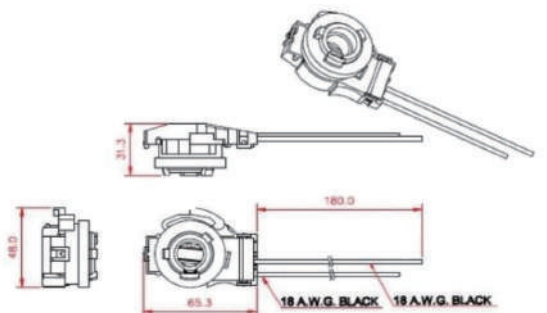
*Single Contact

*Back-Up / Cornering Lamps 1993-77

*With Ground Wire 8" Wire Lead

*Replaces: 12003758, 4450817, LS53

*Bulb: 87, 93, 1156



Connector

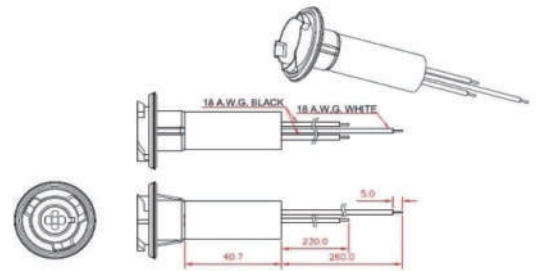
15



Lamp Socket Assemblies

C001-103-0252

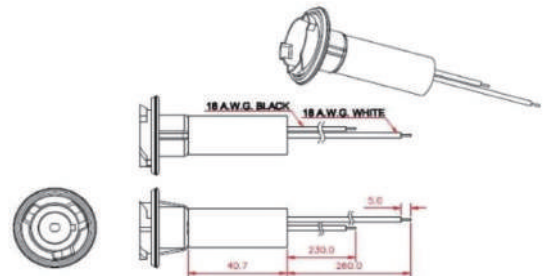
- *Double Contact
- *Park / Stop / Tail / Turn Lamps 12" Wire Lead
- *Weather Resistant Boot 12" Wire Lead
- * Replaces: 3764863, 3843431, 3747831 Lead
- *Bulb: 67, 81, 87, 89, 93, 209, 1003, 1073, 1129, 1133, 1141 3747831 Lead



Lamp Socket Assemblies

C001-103-0253

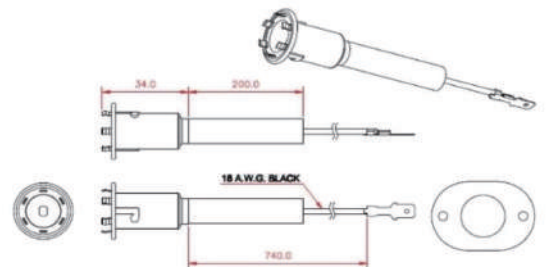
- *Single Contact
- *Back-Up / Cornering / Side Marker Lamp 12" wire lead
- *Weather Resistant Boot
- * Replaces: 3764865, 3843245, 4124721, 4331051
- *Bulb: 87, 93, 1156



Lamp Socket Assemblies

C001-103-0254

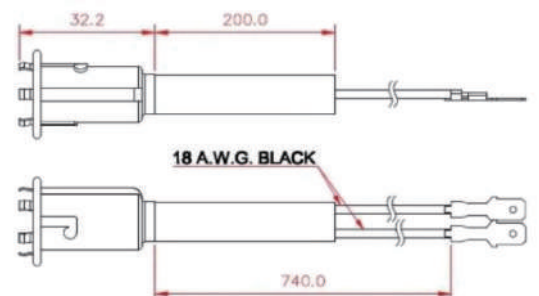
- *Signal/Park/Stop & Tail Universal Single Contact
- *With Socket Adapter Plate & Neoprene Boot
- *To fit 3/4" hole Lamp No.63, 67, 81, 87, 93, 209, 1003, 1073, 1129, 1133, 1141, 1156, 1251, 1683



Lamp Socket Assemblies

C001-103-0255

- *For Signal/Park/Stop & Tail Universal Double Contact
- *With Socket Adapter Plate & Neoprene Boot
- *For Rear Directional, Stop, Tail & Parking Lights on GM cars, trucks and trailers
- *To fit 3/4" hole Lamp NO.198, 1016, 1034, 1154, 2057 Stop, Tail & Parking Lights on GM cars, trucks and trailers



Connector

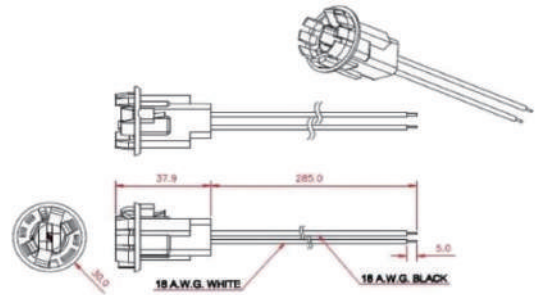
16

Lamp Socket Assemblies

C001-103-0256



- *Double Contact
- *Park / Stop / Tail / Turn Lamps
Plastic Housing
- *12" Wire Lead
- * Replace: 2974309, 2983540, 6299087, 8912698, LS3
- *Bulb: 198, 1016, 1034, 1154, 1157, 20572983540, 6299087, 8912698, LS3

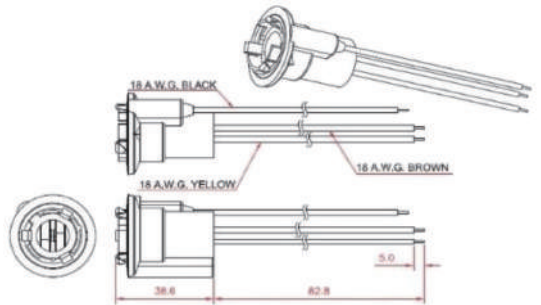


Lamp Socket Assemblies

C001-103-0257



- *Double Contact
- *Stop / Tail / Turn Lamps 1969-1991
Twist Lock Type
- *7/8" (22.25mm) Focal Length
- *Replaces Gray OE Socket, 8903202, 8914822, LS4
- *Bulb: 1034, 1154, 11578903202, 8914822, LS4

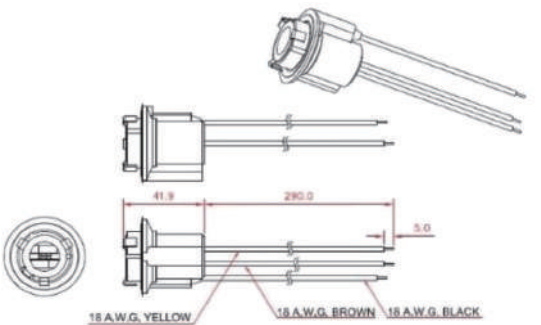


Lamp Socket Assemblies

C001-103-0258



- *Double Contact
- *Park/Stop/Tail/Turn Lamps 1968-1990
Twist Lock Type
- *1 1/4" (31.75mm) Focal Length
- *Replace: 8903203, 8914823
- *Bulb: 1034, 1154, 1157, 2057

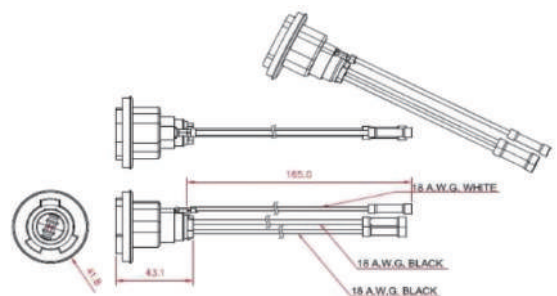


Lamp Socket Assemblies

C001-103-0259



- *Double Contact
- *Park / Stop / Tail Lamps
- *6" wire lead terminated with Butt Splices
- *Replace: 88860531, LS161



Connector

17



Lamp Socket Assemblies

C001-103-0260

*For Rear Lamps: Stop / Tail / Turn

*For Front Lamps: Park / Turn / Turn / Side Markers

*Replace: E8PZ-13411C

*Bulb: 2458, 3057, 3156, 3157, 4157



Lamp Socket Assemblies

C001-103-0261

*Double Contact License Plate Lamp

*Replace: 88860460, 4362133, 4414184, LS150

*Bulb: 194



Lamp Socket Assemblies

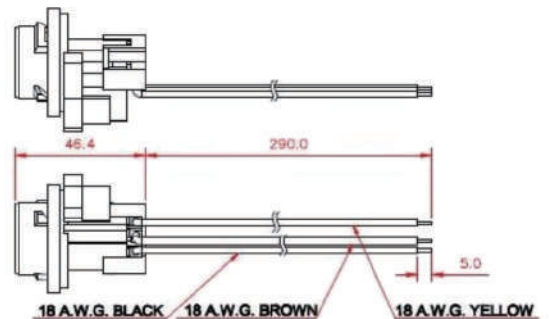
C001-103-0262

*Double Contact

*Stop/Tail/Turn Lamps 1988-1993

*Replace: 12083006, LS12

*Bulbs: 2057, 3057, 3157



Lamp Socket Assemblies

C001-103-0263

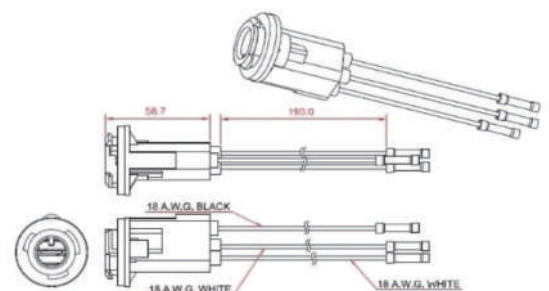
*Double Contact

*Park / Turn Lamps 1971-1978

*With Ground Wire 7" wire Lead with Butt Splices

*Replace: 88860442, LS140, D1FZ-13234-A

*Bulb: 1157



Connector

18

Lamp Socket Assemblies

C001-103-0266

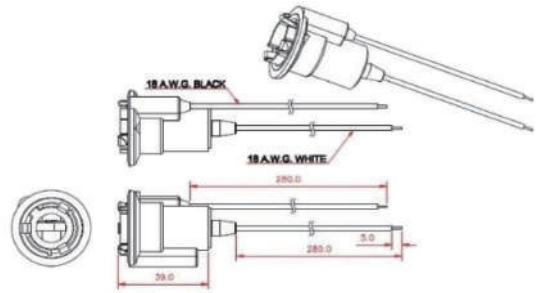


*Single Contact

*Back-Up / Cornering Lamps 1969-1990

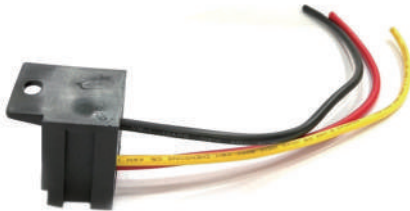
*Replace: 909527, 8904437, 8909518, LS2

*Bulb: 1156



Holder For Relay 40A 4 PIN

C001-103-0275

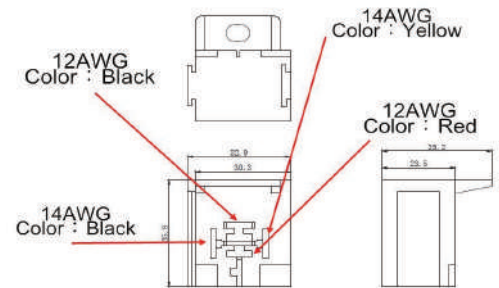


*4 Pin Relay Connector Harness

*AV 0.22/28 OD3.3 14AWG Black, Yellow

*AV 0.254/41 OD3.8 12AWG Red, Black

*Wire Length: 210mm



PUSH BUTTON SWITCH

C001-103-0301

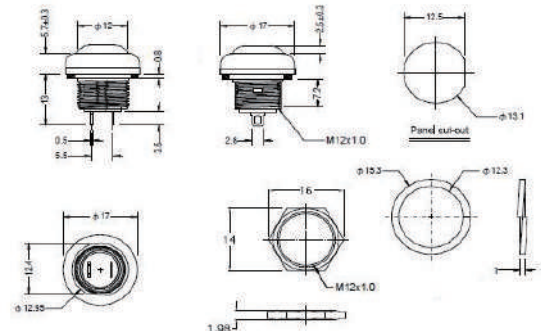


*Color of button , Black White Red Green Blue Yellow

*Color of base , Black White

*Insulation Body: PA66

*Contcat: Tin plated Brass



F CONNECTOR

C001-103-0501



No.	DESCRIPTION	MATERIAL	FINISH	Q'ty
1	BODY	SINC	NICKEL	1
2	PIN	BRASS	TIN	1
3	INSULATOR	DELTRIN	WHITE	1
4	INSULATOR	DELTRIN	WHITE	1
5	UNT	IRON	NICKEL	1
6	WASHER	IRON	NICKEL	1

