





**Photo - Top  
Technologies Co.,Ltd.**



Photo-Top Technologies is a company specializing in all kinds of auto parts and high-quality products. It can be provided the Top products and the professional technologies to achieve the achievements of customers

Photo-Top Technologies to be established in 2001, it is focus on creating and developing all kinds of auto parts accessories and power protection device .

After the hard working many years , It provide the high-quality products in the automotive industry and got the confidence / responsibility from the customers.

We believe that the core value of our company is to solve and satisfy the customer's issues and request.

Photo-Top Technologies can provide you with the service goals of product diversification, market segmentation and a small amount of variety, providing customers with one-stop shopping services, reducing procurement search costs, and also providing customers with OEM and ODM business services to meet your demand.

## Table of Contents

Brand Story .....	1	Rating 10A 300VAC Pitch 5.0mm Terminal Block..	9
Product Description .....	3	Rating 10A 300VAC Pitch 3.81mm Terminal Block•	10
Application Of Battery Terminals .....	4	Rating 15A 300VAC Pitch 7.62mm Terminal Block•	10
Features of Battery Terminals.....	4	OBDII connector .....	10
30Amp 300V Pitch 14 Terminal Block .....	5	10.16mm Terminal Block .....	11
20Amp 300V Pitch 11 Barrier Terminal Blocks.....	5	PCB M6 Termina .....	11
30Amp 300V Pitch 14 Barrier Terminal Blocks .....	5	Rating 15A 300VAC Pitch 9.5mm Terminal Block..	11
30Amp 600V Pitch 14 Barrier Terminal Blocks.....	6	HEAT SHRINK RING TERMINAL .....	12
Rating 15A 300VAC Pitch 9.5mm Terminal Block• ..	6	HEAT SHRINK SPADE TERMINAL.....	12
Rating 30A 300VAC Pitch 11mm Terminal Block .. .	6	SERIES HEAT SHRINK FEMALE DISCONNECT•	13
Rating 20A 300VAC Pitch 10mm Terminal Block .. .	7	SERIES HEAT SHRINK MALE DISCONNECT••	13
Rating 10A 300VAC Pitch 7.62mm Terminal Block• .	7	HEAT SHRINK STEP BUTT CONNECTORS .....	14
Rating 15A 300VAC Pitch 8.25mm Terminal Block ..	7	HEAT SHRINK BUTT CONNECTORS.....	14
Rating 15A 300VAC Pitch 9.5mm Terminal Block• ..	8	NYLON MOLDED SEAMLESS BUTT CONNECTOR ..	15
Rating 15A 300VAC Pitch 8.25mm Terminal Block• .	8	FUNNEL ENTRY SPADE TERMINAL .....	15
Rating 10A 300VAC Pitch 6.35mm Terminal Block• .	8	FUNNEL ENTRY RING TERMINAL .....	16

FUNNEL ENTRY FEMALE DISCONNECT .....	17	WIRE STRIPPER .....	21
BUTT CONNECTOR .....	17	CRIMPING TOOL-For Close Insulated Terminal .....	21
FUNNEL ENTRY MALE DISCONNECT .....	18	Deutsch Terminal Tool Kit (3pcs) .....	22
NYLON INSULATED CLOSE END ROUND TYPE .....	18	Deutsch Terminal Tool Kit (7pcs) .....	22
3-WAY CONNECTOR .....	19	Deutsch Connector Crimping Tool .....	23
4-WAY CONNECTOR .....	19	Deutsch DT Series .....	26
FULLY INSULATED TERMINAL -FEMALER .....	20	DT 2 pin with flange .....	27
FULLY INSULATED TERMINAL- MALE .....	20	8 Gauge uninsulated butt connectors .....	27
CRIMPING TOOL-For insulated terminals .....	20	NON-INSULATED RING TERMINALS .....	27
LONG ARM CRIMPING TOOL .....	21		

# Product Description

## Circuit Breakers



**Overload protection:** Circuit breakers are designed to automatically interrupt an electrical circuit when they detect an overload, protecting against electrical hazards and damage to equipment.

**Short-circuit protection:** Circuit breakers also protect against short-circuits by automatically interrupting the flow of electricity when they detect a fault in the circuit.

**Resettable:** Most circuit breakers can be easily reset after they trip, allowing for quick and convenient restoration of power.

## Automotive fuse



Fuses come in different shapes, sizes, and amperage ratings to match the specific needs of the electrical system in a car.

They are typically made of a metal wire or filament that melts when too much current flows through it, interrupting the flow of electricity and preventing damage to the vehicle's electrical components.

## Fuse Holder



Fuse holders come in different types, including blade fuse holders, mini fuse holders, and maxi fuse holders, to match the different sizes and types of fuses used in a vehicle.

They are typically made of a durable, heat-resistant material such as plastic or metal and are designed to securely hold the fuse in place, while providing easy access for maintenance and replacement.

## Battery Terminals



Battery terminals come in two main types: positive and negative. The positive terminal is usually marked with a "+" symbol, while the negative terminal is marked with a "-" symbol. Both terminals are usually made of brass or other conductive materials and are designed to fit snugly onto the battery posts.

Battery terminals may also include a terminal cover, which is a protective cover that fits over the terminals to prevent accidental contact and provide additional protection from environmental factors such as moisture, dirt, and corrosion.

## Battery Connector



Battery connectors come in different types, including clamp connectors, eyelet connectors, and plug-and-socket connectors.

Clamp connectors, also known as battery clamps, are the most common type of battery connector and are used to secure the battery cable to the battery post. They consist of a metal clamp that fits over the battery post and a screw or bolt that tightens down to secure the cable in place.

## Relay



Relays are used in cars because they allow the control of high-power circuits with a low-power signal, typically from a switch or control module.

This helps to reduce the size and weight of the wiring and switches in a vehicle, and also helps to protect the electrical system by isolating the high-power circuit from the control circuit.

## Battery Accessories



Car battery accessories are a group of components and devices that are used to support the operation and maintenance of a car's battery.

These accessories are designed to enhance the performance, efficiency, and longevity of the battery, as well as to provide safety and protection for both the battery and the vehicle.

The image shows a screenshot of the Photo-Top Technologies Co., Ltd. website. The website has a navigation bar with links for Home, Product, About Us, and a partially visible link. The main content area features a large image of a car driving on a road, with the text "PHOTO-TOP TECHNOLOGIES CO., Ltd." and the tagline "Make your driving more comfortable". A red button labeled "Show our product" is visible. A magnifying glass is positioned over the "Product Catalog" link in the navigation bar. To the right of the magnifying glass, a black box contains the text "Click here to download the catalog".

# Application Of Battery Terminals

Battery terminals can be used in various applications, including but not limited to:

**Automotive:** Automotive batteries use terminals to connect the battery to the electrical system in a car, truck, or other vehicles.

**Marine:** Marine batteries use terminals to connect the battery to the electrical system in boats, yachts, and other watercraft.

**Industrial:** Industrial batteries use terminals to provide backup power or power to various machinery, equipment, and tools.

**Renewable Energy:** Renewable energy systems, such as solar panels and wind turbines, often use battery terminals to store excess energy generated by the system.

**Consumer Electronics:** Battery terminals can be found in consumer electronics, such as laptops, smartphones, and portable power banks.

**Backup Power:** Battery terminals are used in backup power systems, such as uninterruptible power supplies (UPS), to provide power during outages or failures.



## Features of Battery Terminals

### Material:

Battery terminals are made from a variety of materials, including brass, copper, and aluminum, which provide excellent electrical conductivity and corrosion resistance.

### Design:

Battery terminals come in different designs, including bolt-on, screw-on, and clamp-on, to accommodate different battery types and cable sizes.

### Compatibility:

Battery terminals are designed to be compatible with different battery post sizes and types, such as top post, side post, and irregular post batteries.

### Conductivity:

Good battery terminals are designed to provide a low-resistance connection between the battery and the electrical system, which maximizes the flow of current and minimizes energy loss.

### Safety:

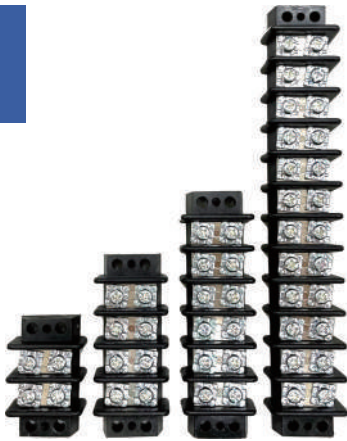
Battery terminals are designed with safety in mind, often featuring insulation or other safety features to prevent accidental electrical discharge and to protect against short circuits.

### Durability:

Battery terminals are designed to withstand the harsh and often vibrating environment in which they are used, and to resist corrosion and wear over time.

# Terminal Block

1



## 30Amp 300V Pitch 14 Terminal Block

**C001-101-0001**

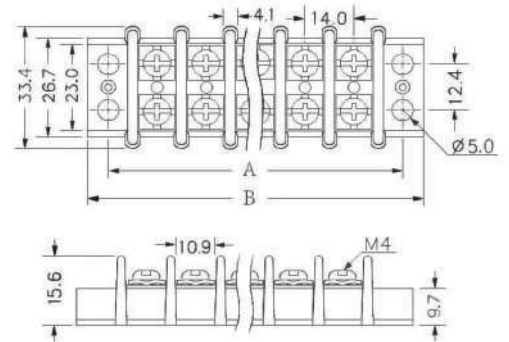
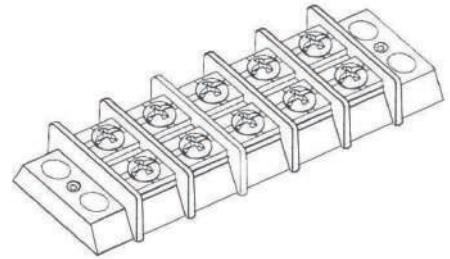
\*Rating : 30A 300VAC , Terminal : Brass, Nickel Plated 0.8t

\*Body Material : Plastic NYLON 66 (UL 94V-0)

\*Screw : Steel, M4, Nickel Plated Brass

\*Working Temperature -40°C to +105°C

\*Wire Range Awg 12~18 STR , Max. Torque Value 18Kg/cm



\*A is the length of the idle poles from end to end of terminal block in millimeter.

\*B is the length of the terminal block body.

This product part number is based on the poles;

C001-101-0001-02	2P (2 poles)	C001-101-0001-20	20P (20 poles)
C001-101-0001-03	3P (3 poles)	C001-101-0001-24	24P (24 poles)
C001-101-0001-14	14P (14 poles)		

## 20Amp 300V Pitch 11 Barrier Terminal Blocks

**C001-101-0002**

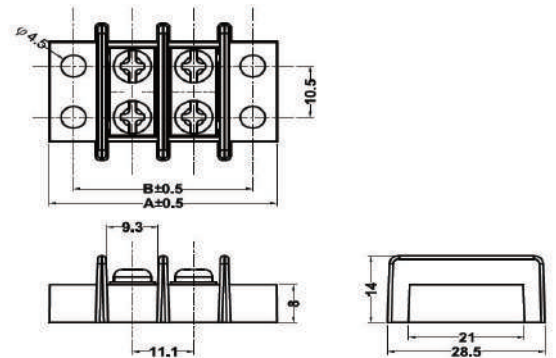
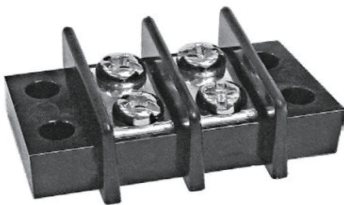
\*Terminal: brass, Tin plated, 0.8t

\*Insulator body: PC(UL94V-0), Black

\*Screw: #6-32, (steel, Ni plated), (brass), (Stainless)

\*Rated current: 20Amp 300V

\*Wire range: 12~22AWG



## 30Amp 300V Pitch 14 Barrier Terminal Blocks

**C001-101-0003**

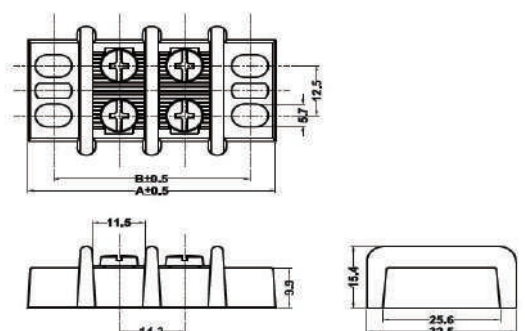
\*Terminal: brass, Tin plated, 0.8t

\*Insulator body: PBT(UL94V-0), Black

\*Screw: #8-32, (steel, Ni plated), (brass), (Stainless)

\*Rated current: 30Amp 300V

\*Wire range: 10~22AWG



# Terminal Block

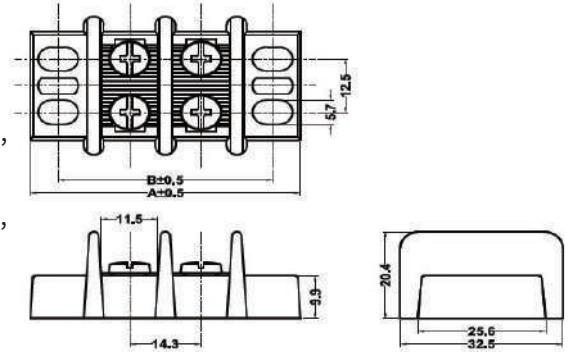
2



## 30Amp 600V Pitch 14 Barrier Terminal Blocks

**C001-101-0004**

- \*Terminal: brass, Tin plated, 0.8t
- \*Insulator body: PBT(UL94V-0), Black
- \*Screw: #8-32, (steel, Ni plated), (brass), (Stainless)
- \*Rated current: 30Amp 600V
- \*Wire range: 10~22AWG



## Rating 15A 300VAC Pitch 9.5mm Terminal Block

**C001-101-0005**

- \*Working Temperature : - 40 ° C ~ +105° C
- \*Insulation withstand Voltage : AC 1500V at 1 minute
- \*Insul. Resistance : 1000MΩ or More at DC 500V
- \*Wire Range : 22 ~12 AWG
- \*Max. Torque Value : 12kg-cm

### Materials

Plastic Housing	PA66 , Black
Terminal	Brass , 0.8t , Tin Plated
Screw	Steel , M3.5 , Nickel Plated



## Rating 30A 300VAC Pitch 11mm Terminal Block

**C001-101-0006**

- \*Working Temperature : - 40 ° C ~ +105° C
- \*Insulation withstand Voltage : AC 1500V at 1 minute
- \*Insul. Resistance : 1000MΩ or More at DC 500V
- \*Wire Range : 22 ~12 AWG
- \*Max. Torque Value : 18kg-cm

### Materials

Plastic Housing	PA66 , Black
Terminal	Brass , 10t , Tin Plated
Screw	Steel , M4 , Nickel Plated

# Terminal Block

3



## Rating 20A 300VAC Pitch 10mm Terminal Block

C001-101-0007

\*Working Temperature : - 40 ° C ~ +105° C

\*Insulation withstand Voltage : AC 1500V at 1 minute

\*Insul. Resistance : 1000MΩ or More at DC 500V

\*Wire Rang : 22 ~12 AWG

\*Max. Torque Value : 12kg-cm

### Materials

Plastic Housing	PA66 , UL94V-0(option),Black
Terminal	Brass , 0.8t , Tin Plated
Screw	Steel , M3.5 , Nickel Plated



## Rating 10A 300VAC Pitch 7.62mm Terminal Block

C001-101-0008

\*Working Temperature : - 40 ° C ~ +105° C

\*Insulation withstand Voltage : AC 1500V at 1 minute

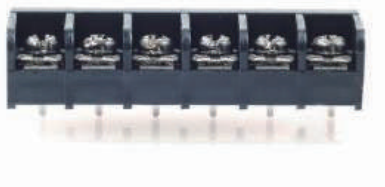
\*Insul. Resistance : 1000MΩ or More at DC 500V

\*Wire Rang : 22 ~12 AWG

\*Max. Torque Value : 10kg-cm

### Materials

Plastic Housing	PA66 , UL94V-0(option),Black
Terminal	Brass , 0.8t , Tin Plated
Screw	Steel , M3 , Nickel Plated



## Rating 15A 300VAC Pitch 8.25mm Terminal Block

C001-101-0009

\*Working Temperature : - 40 ° C ~ +105° C

\*Insulation withstand Voltage : AC 1500V at 1 minute

\*Insul. Resistance : 1000MΩ or More at DC 500V

\*Wire Rang : 22 ~12 AWG

\*Max. Torque Value : 10kg-cm

### Materials

Plastic Housing	PA66 , UL94V-0(option),Black
Terminal	Brass , 0.8t , Tin Plated
Screw	Steel , M3 , Nickel Plated



# Terminal Block

4



## Rating 15A 300VAC Pitch 9.5mm Terminal Block

C001-101-0010

\*Working Temperature : - 40 ° C ~ +105° C

\*Insulation withstand Voltage : AC 1500V at 1 minute

\*Insul. Resistance : 1000MΩ or More at DC 500V

\*Wire Rang : 22 ~12 AWG

\*Max. Torque Value : 12kg-cm

### Materials

Plastic Housing	PA66 , Black
Terminal	Brass , 0.8t , Tin Plated
Screw	Steel , M3.5 , Nickel Plated



## Rating 15A 300VAC Pitch 8.25mm Terminal Block

C001-101-0011

\*Working Temperature : - 40 ° C ~ +105° C

\*Insulation withstand Voltage : AC 1500V at 1 minute

\*Insul. Resistance : 1000MΩ or More at DC 500V

\*Wire Rang : 22 ~12 AWG

\*Max. Torque Value : 10kg-cm

### Materials

Plastic Housing	PA66 , Black
Terminal	Brass , 0.8t , Tin Plated
Screw	Steel , M3 , Nickel Plated



## Rating 10A 300VAC Pitch 6.35mm Terminal Block

C001-101-0012

\*Working Temperature : - 40 ° C ~ +105° C

\*Insulation withstand Voltage : AC 1500V at 1 minute

\*Insul. Resistance : 1000MΩ or More at DC 500V

\*Wire Rang : 22 ~12 AWG

\*Max. Torque Value : 10kg-cm

### Materials

Plastic Housing	PA66 , UL94V-0(option) , Black
Terminal	Brass , 0.8t , Tin Plated
Screw	Steel , M3 , Nickel Plated

# Terminal Block

5



## Rating 10A 300VAC Pitch 5.0mm Terminal Block

**C001-101-0013**

\*Using Temperature Range : - 40° C ~ +105° C

\*Insul. withstand Voltage : AC 2000V/min

\*Insul. Resistance : 500MΩ or More at DC 500V

\*Wire Range : 22 ~ 16 AWG

\*Max. Torque Value : 4kg-cm

### Materials

Housing	Polyamide 66 , Green or Blue
Solder Pin & Wire Cage	Brass , 0.6t , Tin Plated
Wire Protector	0.2 Stainless steel
Screw	M2.6 , Steel , Zine Plated



## Rating 10A 300VAC Pitch 5.0mm Terminal Block

**C001-101-0014**

\*Using Temperature Range : - 40° C ~ +105° C

\*Insul. withstand Voltage : AC 2000V/min

\*Insul. Resistance : 500MΩ or More at DC 500V

\*Wire Range : 22 ~ 16 AWG

\*Max. Torque Value : 5kg-cm

### Materials

Housing	Polyamide 66 , Green
Solder Pin & Wire Cage	Brass , 0.6t , Tin Plated
Screw	M2.6 , Steel , Zine Plated



## Rating 10A 300VAC Pitch 5.0mm Terminal Block

**C001-101-0015**

\*Using Temperature Range : - 40° C ~ +105° C

\*Insul. withstand Voltage : AC 2000V/min

\*Insul. Resistance : 500MΩ or More at DC 500V

\*Wire Rang : 14 ~ 26 AWG

\*Screw Torque.Value : 5kg-cm

### Materials

Housing	Polyamide 66 , Green
Clamping	Phoshor bronze , 0.4t, Nickel Plated
Wire Cage	Brass , 0.7t , Nickel Plated
Screw	M2.6 , Steel , Nickel Plated

# Terminal Block

6



## Rating 10A 300VAC Pitch 3.81mm Terminal Block

**C001-101-0016**

\*Using Temperature Range : - 40° C ~ +105° C

\*Insul. withstand Voltage : AC 2000V/min

\*Insul. Resistance : 500MΩ or More at DC 500V

\*Wire Range : 16 ~ 26 AWG

\*Screw Torque.Value : 3kg-cm

### Materials

Housing	Polyamide 66 , Green
Clamping	Phosor bronze, 0.4t, Nickel Plated
Wire Cage	Brass , 0.7t , Nickel Plated
Screw	M2.0 , Steel , Nickel Plated

## Rating 15A 300VAC Pitch 7.62mm Terminal Block

**C001-101-0017**

\*Working Temperature : - 40 ° C ~ +105° C

\*Insulation withstand Voltage : AC 1500V at 1 minute

\*Insul. Resistance : 1000MΩ or More at DC 500V

\*Wire Rang : 22 ~12 AWG

\*Max. Torque Value : 8kg-cm

### Materials

Plastic Housing	PBT , UL94V-0(option) , Black
Terminal	Brass , 0.8t , Tin Plated
Screw	Steel , M3 , Nickel Plated



## OBDII connector

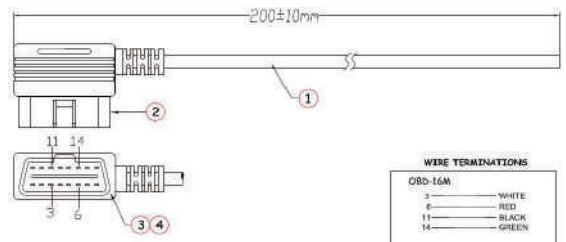
**C001-103-0201**

\* UL2517 20AWG 4C , CABLE OD=5.5~6 , COLOR:BLACK

\*OBD 16PIN MALE PLUG

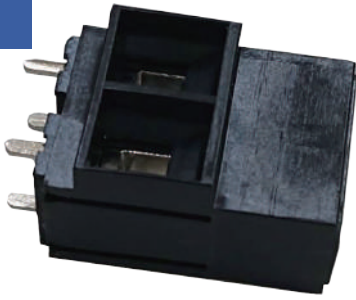
\*INNER PE MOLDING

\*BLACK PVC 50P MOLDING



# Terminal Block

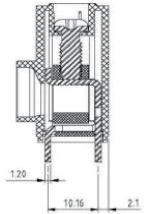
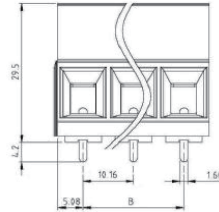
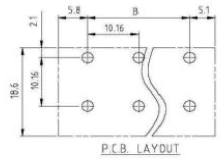
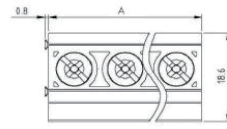
7



## 10.16mm Terminal Block

**C001-101-0019**

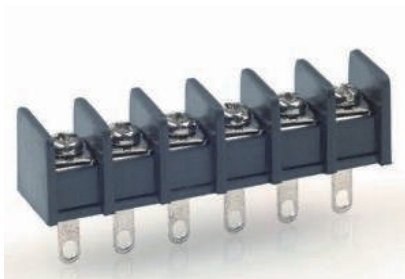
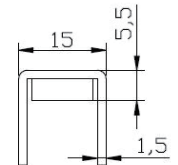
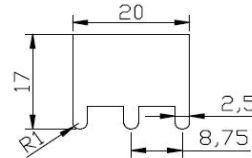
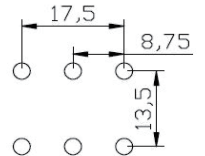
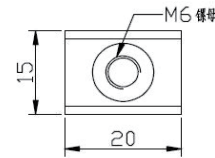
- \*Voltage Rating: 300V.
- \*Current Rating: 64A.
- \*Solid Wire(AWG): 6-22.
- \*Stranded Wire(AWG): 6-22.
- \*Wire Strip Length: 11-12mm.



## PCB M6 Terminal

**C001-101-0021**

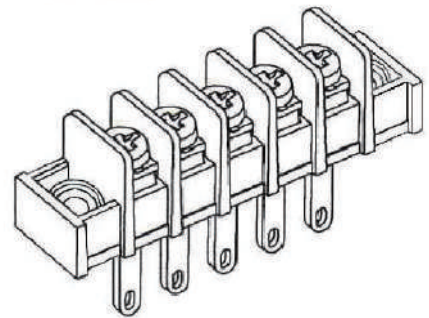
- \*Center Space : 8.75\*13.5mm
- \*Rated Current : 100A
- \*Screw : M6 , Steel,Nickel plated
- \*Terminal Body : Copper,Tin Plated
- \*Screw Torque : 18lbin



## Rating 15A 300VAC Pitch 9.5mm Terminal Block

**C001-101-0024**

- \*Plastic Housing : PA66,Black , Terminal : Brass,0.8t, Tin Plated
- \*Screw : Steel, M3.5, Nickel Plated
- \*Working Temperature : - 40 ° C ~ +105 ° C , Insulation withstand Voltage : AC 1500V at 1 minute
- \*Insul. Resistance : 1000MΩ or More at DC 500V
- \*Wire Range : 22 ~12 AWG , Max. Torque Value : 12kg-cm



# Terminal

1



## HEAT SHRINK RING TERMINAL

**C001-100-0302**

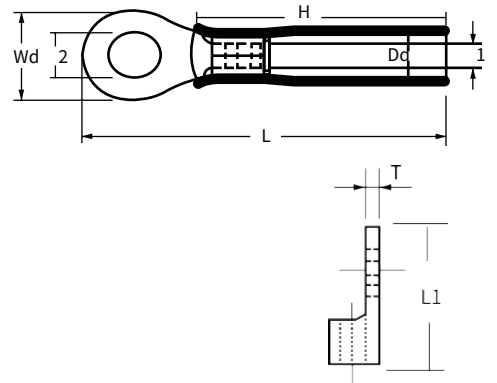
\*Material : Metal-Brass with Tin plated ,  
Insulation-heat shrinkable

\*RED , WIRE RANGE: 22-18/0.5-1.0 mm<sup>2</sup>

\*BLUE , WIRE RANGE: 16-14/1.5-2.5 mm<sup>2</sup>

\*YELLOW , WIRE RANGE: 12-10/4.0-6.0 mm<sup>2</sup>

\*Wire Strip Length: 11-12mm.



ITEM NO.	STUD SIZE		WIRE RANGE		AMP	COLOR	D	d1	d2	W	H (+ 0.2)	L	L1	T
	mm	inch	AWG	mm <sup>2</sup>										
30241	M4	#8	22-18	0.5-1.0	Max.5A	RED	5.70	1.80	4.30	6.60	18	26.0	14.0	0.8
30251	M5	#10	22-18	0.5-1.0	Max.5A	RED	5.70	1.80	5.30	8.00	20	29.8	15.8	0.8
30261	M6	#1/4	22-18	0.5-1.0	Max.5A	RED	5.70	1.80	6.70	11.60	20	35.8	21.8	0.8
302425	M4	#8	16-14	1.5-2.5	Max.20A	BLUE	6.40	2.40	4.30	7.00	18	26.0	14.0	0.8
302525	M5	#10	16-14	1.5-2.5	Max.20A	BLUE	6.40	2.40	5.30	8.50	20	30.5	16.5	0.8
302625	M6	#1/4	16-14	1.5-2.5	Max.20A	BLUE	6.40	2.40	6.30	11.00	20	35.5	21.5	0.8
30256	M5	#10	12-10	4.0-6.0	Max.40A	YELLOW	7.70	3.70	5.30	9.50	25	39.0	20.0	0.9
30266	M6	#1/4	12-10	4.0-6.0	Max.40A	YELLOW	7.70	3.70	6.70	12.00	25	40.5	21.5	0.9
30286	M8	#5/16	12-10	4.0-6.0	Max.40A	YELLOW	7.70	3.70	8.40	14.00	25	45.0	26.0	0.9
302106	M10	#3/8	12-10	4.0-6.0	Max.40A	YELLOW	7.70	3.70	10.50	15.00	25	45.5	26.5	0.9

## HEAT SHRINK SPADE TERMINAL

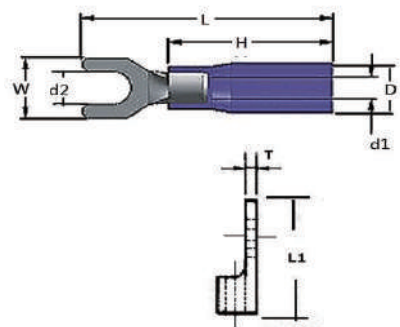
**C001-100-0304**

\*Material : Metal-Brass with Tin plated ,  
Insulation-heat shrinkable

\*RED , WIRE RANGE: 22-18/0.5-1.0 mm<sup>2</sup>

\*BLUE , WIRE RANGE: 16-14/1.5-2.5 mm<sup>2</sup>

\*YELLOW , WIRE RANGE: 12-10/4.0-6.0 mm<sup>2</sup>



ITEM NO.	STUD SIZE		WIRE RANGE		AMP	COLOR	D (+ 0.3)	d1	d2	W	H (+ 0.2)	L	L1	T
	mm	inch	AWG	mm <sup>2</sup>										
30451	M5	#10	22-18	0.5-1.0	Max.5A	RED	5.70	1.80	5.30	8.00	20	30.3	16.0	0.8
304425	M4	#8	16-14	1.5-2.5	Max.20A	BLUE	6.40	2.40	4.30	7.20	18	27.0	16.0	0.8
304525	M5	#10	16-14	1.5-2.5	Max.20A	BLUE	6.40	2.40	5.30	8.00	20	30.3	16.0	0.8
30456	M5	#10	12-10	4.0-6.0	Max.40A	YELLOW	7.70	3.70	5.30	9.00	25	39.2	19.5	0.9

# Terminal

2



## SERIES HEAT SHRINK FEMALE DISCONNECT

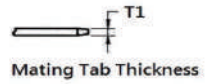
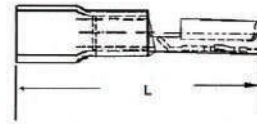
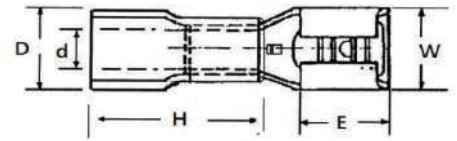
**C001-100-0305**

\*Material : Metal-Brass with Tin plated , Insulation-heat shrinkable

\*RED , WIRE RANGE: 22-18/0.5-1.0 mm<sup>2</sup>

\*BLUE , WIRE RANGE: 16-14/1.5-2.5 mm<sup>2</sup>

\*YELLOW , WIRE RANGE: 12-10/4.0-6.0 mm<sup>2</sup>



ITEM NO.	WIRE RANGE		AMP	COLOR	D (+- 0.3)	d	W	H (+- 0.2)	E	L	T1
	AWG	mm <sup>2</sup>									
30501	22-18	0.5-1.0	Max.5A	RED	5.70	1.75	6.70	18	7.80	29.0	0.8
30502	16-14	1.5-2.5	Max.20A	BLUE	6.40	2.55	6.70	18	7.80	29.0	0.8
30503	12-10	4.0-6.0	Max.40A	YELLOW	7.70	3.65	6.70	22	7.80	32.9	0.8



## SERIES HEAT SHRINK MALE DISCONNECT

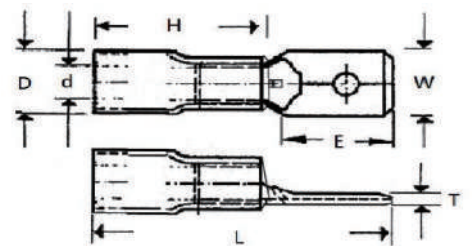
**C001-100-0306**

\*Material : Metal-Brass with Tin plated , Insulation-heat shrinkable

\*RED , WIRE RANGE: 22-18/0.5-1.0 mm<sup>2</sup>

\*BLUE , WIRE RANGE: 16-14/1.5-2.5 mm<sup>2</sup>

\*YELLOW , WIRE RANGE: 12-10/4.0-6.0 mm<sup>2</sup>



ITEM NO.	WIRE RANGE		AMP	COLOR	D (+- 0.3)	d	W	H (+- 0.2)	E	L	T
	AWG	mm <sup>2</sup>									
30601-1	22-18	0.5-1.0	Max.5A	RED	5.70	1.75	6.20	18	8.13	28.8	0.8
30602-1	16-14	1.5-2.5	Max.20A	BLUE	6.40	2.55	6.20	18	8.13	28.8	0.8
30603-1	12-10	4.0-6.0	Max.40A	YELLOW	7.70	3.65	6.20	22	8.13	33.0	0.8

# Terminal

3

## HEAT SHRINK STEP BUTT CONNECTORS

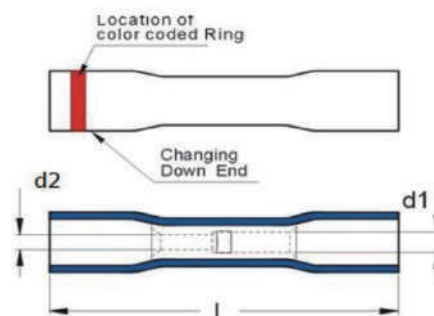
C001-100-0307

\*Material : Metal-Brass with Tin plated ,  
Insulation-heat shrinkable

\*RED , WIRE RANGE: 22-18/0.5-1.0 mm<sup>2</sup>

\*BLUE , WIRE RANGE: 16-14/1.5-2.5 mm<sup>2</sup>

\*YELLOW , WIRE RANGE: 12-10/4.0-6.0 mm<sup>2</sup>



ITEM NO.	WIRE RANGE		COLOR	d1φ	d2φ	L
	AWG	mm <sup>2</sup>		+0.05	+0.05	
3070001T	22-18 / 26-24	0.5-1.0 / 0.1-0.5	RED/WHITE	1.6	0.85	35.2
3070102T	16-14 / 22-18	1.5-2.5 / 0.5-1.0	BLUE/RED	2.4	1.6	36.5
3070203T	12-10 / 16-14	4.0-6.0 / 1.5-2.5	YELLOW/BLUE	3.6	2.4	49.0

## HEAT SHRINK BUTT CONNECTORS

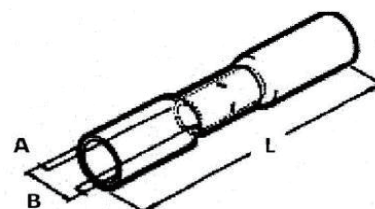
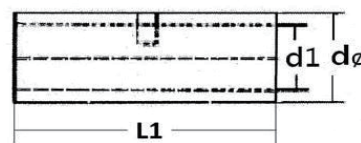
C001-100-0307

\*Material : Metal-Brass with Tin plated ,  
Insulation-heat shrinkable

\*RED , WIRE RANGE: 22-18/0.5-1.0 mm<sup>2</sup>

\*BLUE , WIRE RANGE: 16-14/1.5-2.5 mm<sup>2</sup>

\*YELLOW , WIRE RANGE: 12-10/4.0-6.0 mm<sup>2</sup>



ITEM NO.	WIRE RANGE		AMP	COLOR	A	B	L	dφ	d1	L1
	AWG	mm <sup>2</sup>			(+ - 0.3)	(+ - 0.3)				
30701T	22-18	0.5-1.0	Max.5A	RED	4.7	5.5	35	3.3	1.80	15
30702T	16-14	1.5-2.5	Max.20A	BLUE	5.7	6.4	35	4.0	2.55	15
30703T	12-10	4.0-6.0	Max.40A	YELLOW	6.7	7.7	43	5.5	3.60	15

# Terminal

4



## NYLON MOLDED SEAMLESS BUTT CONNECTOR

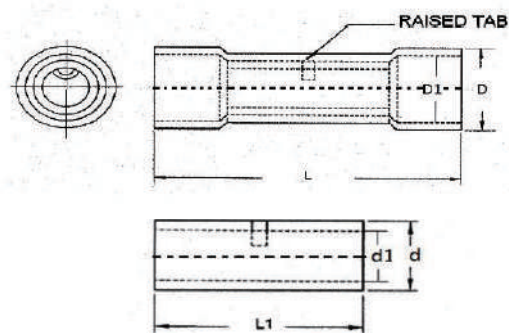
C001-100-0507

\*Material : Metal-Brass with Tin plated ,  
Insulation-Nylon

\*RED , WIRE RANGE: 22-18/0.5-1.0 mm<sup>2</sup>

\*BLUE , WIRE RANGE: 16-14/1.5-2.5 mm<sup>2</sup>

\*YELLOW , WIRE RANGE: 12-10/4.0-6.0 mm<sup>2</sup>



ITEM NO.	WIRE RANGE		AMP	COLOR	D	D1	d	d1	L	L1
	AWG	mm <sup>2</sup>								
3070001T	22-18	0.5-1.0	Max.5A	RED	5.60	4.00	3.30	1.80	26	15
3070102T	16-14	1.5-2.5	Max.20A	BLUE	6.10	4.50	4.00	2.55	26	15
3070203T	12-10	4.0-6.0	Max.40A	YELLOW	8.30	6.40	5.50	3.60	27	15



## FUNNEL ENTRY SPADE TERMINAL

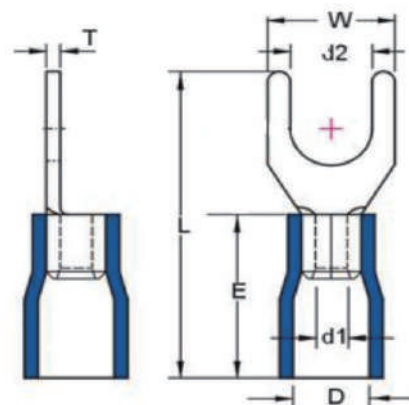
C001-100-0904

\*Material : Metal-Brass with Tin plated ,  
Vinyl-insulated

\*RED , WIRE RANGE: 22-18/0.5-1.0 mm<sup>2</sup>

\*BLUE , WIRE RANGE: 16-14/1.5-2.5 mm<sup>2</sup>

\*YELLOW , WIRE RANGE: 12-10/4.0-6.0 mm<sup>2</sup>



ITEM NO.	d2	Dφ	d1φ	W	E	L	T	WIRE RANGE		COLOR
	±0.2	±0.2	±0.1	±0.1	±0.2	±0.5	±0;-0.03	mm <sup>2</sup>	AWG	
90431	3.2	3.6	1.8	6.5	10	20.2	0.8	0.5-1.0	22-18	RED
904351	3.7	3.6	1.8	6.5	10	20.2	0.8	0.5-1.0	22-18	RED
90441	4.3	3.6	1.8	7.2	10	20.2	0.8	0.5-1.0	22-18	RED
90451	5.3	3.6	1.8	8.6	10	21	0.8	0.5-1.0	22-18	RED
90461	6.4	3.6	1.8	11	10	25.3	0.8	0.5-1.0	22-18	RED
904325	3.2	4.3	2.4	6.5	10.5	19.8	0.8	1.5-2.5	16-14	BLUE
9043525	3.7	4.3	2.4	6.5	10.5	19.8	0.8	1.5-2.5	16-14	BLUE
904425	4.3	4.3	2.4	7.2	10.5	20.1	0.8	1.5-2.5	16-14	BLUE
904525	5.3	4.3	2.4	8.6	10.5	21.1	0.8	1.5-2.5	16-14	BLUE
904625	6.4	4.3	2.4	11	10.5	25.1	0.8	1.5-2.5	16-14	BLUE
904356	3.7	5.8	3.7	8.2	13.5	24.7	1.0	4.0-6.0	12-10	YELLOW
90446	4.3	5.8	3.7	8.3	13.5	24.4	1.0	4.0-6.0	12-10	YELLOW
90456	5.3	5.8	3.7	9	13.5	25.8	1.0	4.0-6.0	12-10	YELLOW
90466	6.4	5.8	3.7	12	13.5	29.3	1.0	4.0-6.0	12-10	YELLOW
90486	8.4	5.8	3.7	13.4	13.5	30.3	1.0	4.0-6.0	12-10	YELLOW



# Terminal

5



## FUNNEL ENTRY RING TERMINAL

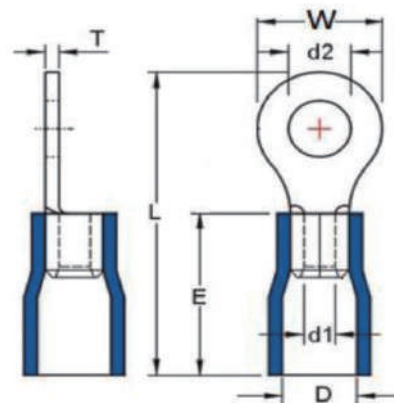
C001-100-0902

\*Material : Metal-Brass with Tin plated , Vinyl-insulated

\*RED , WIRE RANGE: 22-18/0.5-1.0 mm<sup>2</sup>

\*BLUE , WIRE RANGE: 16-14/1.5-2.5 mm<sup>2</sup>

\*YELLOW , WIRE RANGE: 12-10/4.0-6.0 mm<sup>2</sup>



ITEM NO.	d2	D	d1	W	E	L	T	WIRE RANGE		COLOR
	±0.2	±0.2	±0.1	±0.1	±0.2	±0.5	±0;-0.03	mm <sup>2</sup>	AWG	
90231	3.2	3.6	1.8	6.4	10	18.3	0.8	0.5-1.0	22-18	RED
902351	3.7	3.6	1.8	6.4	10	18.3	0.8	0.5-1.0	22-18	RED
90241	4.3	3.6	1.8	6.6	10	19.5	0.8	0.5-1.0	22-18	RED
90251	5.3	3.6	1.8	8.0	10	21.4	0.8	0.5-1.0	22-18	RED
90261	6.4	3.6	1.8	11.6	10	27.2	0.8	0.5-1.0	22-18	RED
90281	8.4	3.6	1.8	11.6	10	27.2	0.8	0.5-1.0	22-18	RED
90281	8.4	3.6	1.8	13.6	10	27.2	0.8	0.5-1.0	22-18	RED
902101	10.5	3.6	1.8	13.6	10	26.8	0.8	0.5-1.0	22-18	RED
902325	3.2	4.3	2.4	6.4	10.5	18.9	0.8	1.5-2.5	16-14	BLUE
9023525	3.7	4.3	2.4	6.4	10.5	18.9	0.8	1.5-2.5	16-14	BLUE
902425	4.3	4.3	2.4	7.0	10.5	20	0.8	1.5-2.5	16-14	BLUE
902525	5.3	4.3	2.4	8.5	10.5	22.2	0.8	1.5-2.5	16-14	BLUE
902625	6.4	4.3	2.4	11	10.5	28.2	0.8	1.5-2.5	16-14	BLUE
902825	8.4	4.3	2.4	12	10.5	28.2	0.8	1.5-2.5	16-14	BLUE
9021025S	10.5	4.3	2.4	13	10.5	30.8	0.8	1.5-2.5	16-14	BLUE
9021025	10.5	4.3	2.4	17	10.5	30.9	0.8	1.5-2.5	16-14	BLUE
9021225	13	4.3	2.4	19	10.5	36	0.8	1.5-2.5	16-14	BLUE
902356	3.7	5.8	3.7	7.8	13.5	24.7	1.0	4.0-6.0	12-10	YELLOW
90246	4.3	5.8	3.7	9.5	13.5	24.7	1.0	4.0-6.0	12-10	YELLOW
90256	5.3	5.8	3.7	9.5	13.5	24.7	1.0	4.0-6.0	12-10	YELLOW
90266	6.4	5.8	3.7	11	13.5	27.3	1.0	4.0-6.0	12-10	YELLOW
90286S	8.4	5.8	3.7	12	13.5	28.5	1.0	4.0-6.0	12-10	YELLOW
90286	8.4	5.8	3.7	14	13.5	34.7	1.0	4.0-6.0	12-10	YELLOW
902106	10.5	5.8	3.7	15	13.5	34.7	1.0	4.0-6.0	12-10	YELLOW
902126	13	5.8	3.7	17	13.5	39.4	1.0	4.0-6.0	12-10	YELLOW

# Terminal

6

## FUNNEL ENTRY FEMALE DISCONNECT

**C001-100-0905**

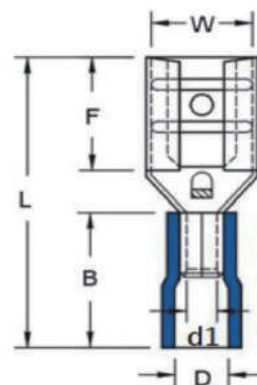


\*Material : Metal-Brass with Tin plated , Vinyl-insulated

\*RED , WIRE RANGE: 22-18/0.5-1.0 mm<sup>2</sup>

\*BLUE , WIRE RANGE: 16-14/1.5-2.5 mm<sup>2</sup>

\*YELLOW , WIRE RANGE: 12-10/4.0-6.0 mm<sup>2</sup>



ITEM NO.	W	D $\Phi$	d1 $\Phi$	F	L	T	WIRE RANGE		COLOR
	$\pm 0.2$	$\pm 0.2$	$\pm 0.1$	$\pm 0.2$	$\pm 0.5$	$\pm 0; -0.03$	mm <sup>2</sup>	AWG	
905281-5	2.8 x 0.5 110 x 02	2.9	1.8	7.8	22	0.4	0.5-1.0	22-18	RED
905281-8	2.8 x 0.8 110 x 032	2.9	1.8	7.8	22	0.4	0.5-1.0	22-18	RED
905481-5	4.8 x 0.5 110 x 02	2.9	1.8	7.8	22	0.4	0.5-1.0	22-18	RED
905481-8	4.8 x 0.8 110 x 032	2.9	1.8	7.8	22	0.4	0.5-1.0	22-18	RED
90501	6.35 x 0.8 250 x 032	2.9	1.8	7.8	22	0.4	0.5-1.0	22-18	RED
905282-5	2.8 x 0.5 110 x 02	3.7	2.4	7.8	22	0.4	1.5-2.5	16-14	BLUE
905282-8	2.8 x 0.8 110 x 032	3.7	2.4	7.8	22	0.4	1.5-2.5	16-14	BLUE
905482-5	4.8 x 0.5 110 x 02	3.7	2.4	7.8	22	0.4	1.5-2.5	16-14	BLUE
905482-8	4.8 x 0.8 110 x 032	3.7	2.4	7.8	22	0.4	1.5-2.5	16-14	BLUE
90502	6.35 x 0.8 250 x 032	3.7	2.4	7.8	22	0.4	1.5-2.5	16-14	BLUE
905082	8.2 x 0.8 315 x 032	3.7	2.4	1.0	25	0.4	1.5-2.5	16-14	BLUE
905952	9.5 x 1.2 375 x 047	3.7	2.4	13	31	0.4	1.5-2.5	16-14	BLUE
90503	6.35 x 0.8 250 x 032	5.8	3.7	7.8	24.6	0.4	4.0-6.0	12-10	YELLOW
905953	9.5 x 1.2 375 x 047	5.8	3.7	13	29.5	0.4	4.0-6.0	12-10	YELLOW

## BUTT CONNECTOR

**C001-100-0907**

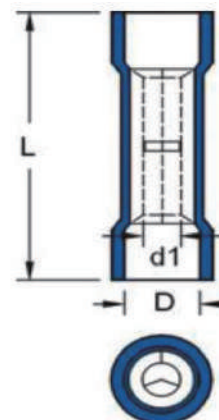


\*Material : Metal-Brass with Tin plated , Vinyl-insulated

\*RED , WIRE RANGE: 22-18/0.5-1.0 mm<sup>2</sup>

\*BLUE , WIRE RANGE: 16-14/1.5-2.5 mm<sup>2</sup>

\*YELLOW , WIRE RANGE: 12-10/4.0-6.0 mm<sup>2</sup>



ITEM NO.	D $\Phi$	d1 $\Phi$	L	WIRE RANGE		COLOR
	$\pm 0.2$	$\pm 0.1$	$\pm 0.5$	mm <sup>2</sup>	AWG	
90701T	1.8	3.3	25.0	0.5-1.0	22-18	RED
90702T	2.4	4.0	25.0	1.5-2.5	16-14	BLUE
90703T	3.6	5.5	27.0	4.0-6.0	12-10	YELLOW

# Terminal

7



## FUNNEL ENTRY MALE DISCONNECT

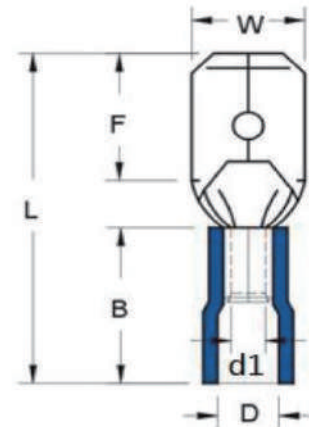
C001-100-0906

\*Material : Metal-Brass with Tin plated , Vinyl-insulated

\*RED , WIRE RANGE: 22-18/0.5-1.0 mm<sup>2</sup>

\*BLUE , WIRE RANGE: 16-14/1.5-2.5 mm<sup>2</sup>

\*YELLOW , WIRE RANGE: 12-10/4.0-6.0 mm<sup>2</sup>



ITEM NO.	W	D $\phi$	d1 $\phi$	F	L	T	WIRE RANGE		COLOR
	$\pm 0.2$	$\pm 0.2$	$\pm 0.1$	$\pm 0.2$	$\pm 0.5$	$\pm 0; -0.03$	mm <sup>2</sup>	AWG	
906281-5	2.8 x 0.5 110 x 02	2.9	1.8	7.8	22	0.5	0.5-1.0	22-18	RED
906281-8	2.8 x 0.8 110 x 032	2.9	1.8	7.8	22	0.8	0.5-1.0	22-18	RED
906481-5	4.8 x 0.5 110 x 02	2.9	1.8	7.8	22	0.5	0.5-1.0	22-18	RED
906481-8	4.8 x 0.8 110 x 032	2.9	1.8	7.8	22	0.4	0.5-1.0	22-18	RED
90601-1	6.35 x 0.8 250 x 032	2.9	1.8	7.8	22	0.4	0.5-1.0	22-18	RED
906282-5	2.8 x 0.5 110 x 02	3.7	2.4	7.8	22	0.5	1.5-2.5	16-14	BLUE
906282-8	2.8 x 0.8 110 x 032	3.7	2.4	7.8	22	0.8	1.5-2.5	16-14	BLUE
906482-5	4.8 x 0.5 110 x 02	3.7	2.4	7.8	22	0.5	1.5-2.5	16-14	BLUE
906482-8	4.8 x 0.8 110 x 032	3.7	2.4	7.8	22	0.4	1.5-2.5	16-14	BLUE
90602-1	6.35 x 0.8 250 x 032	3.7	2.4	7.8	22	0.4	1.5-2.5	16-14	BLUE
90603-1	6.35 x 0.8 250 x 032	5.8	3.7	7.8	24.6	0.4	4.0-6.0	12-10	YELLOW

## NYLON INSULATED CLOSE END ROUND TYPE

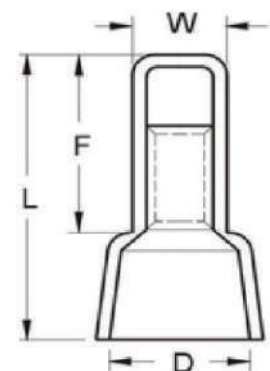
C001-100-0916R

\*Material : Metal-Brass with Tin plated , Insulation-Nylon

\*RED , WIRE RANGE: 22-18/0.5-1.0 mm<sup>2</sup>

\*BLUE , WIRE RANGE: 16-14/1.5-2.5 mm<sup>2</sup>

\*YELLOW , WIRE RANGE: 12-10/4.0-6.0 mm<sup>2</sup>



ITEM NO.	DIMENSIONS mm(inch)					WIRE RANGE	
	W	D	F	L	inside	mm <sup>2</sup>	AWG
91601R	5.0	6.5	10.0	18.0	2.4	0.5-1.0	22-18
	.197	.256	.393	.709	.095		
91602R	5.5	8.0	12.0	21.0	3.0	1.5-2.5	16-14
	.217	.315	0.472	.827	.118		
91603R	7.0	10.5	15.0	25.0	3.8	4.0-6.0	12-10
	.276	.413	.591	.985	.150		
91604R	9.0	12.5	17.0	28.0	5.0	10	8
	.354	.492	.669	1.102	.197		

# Terminal

8



## 3-WAY CONNECTOR

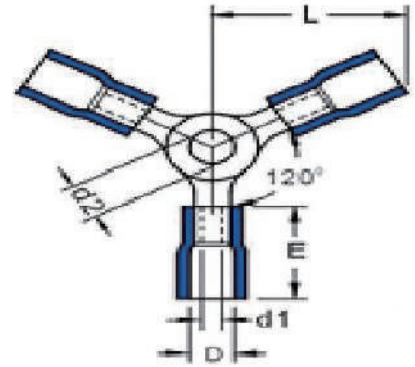
C001-100-9023

\*Material : Metal-Brass with Tin plated , Vinyl-insulated

\*RED , WIRE RANGE: 22-18/0.5-1.0 mm<sup>2</sup>

\*BLUE , WIRE RANGE: 16-14/1.5-2.5 mm<sup>2</sup>

\*YELLOW , WIRE RANGE: 12-10/4.0-6.0 mm<sup>2</sup>



ITEM NO.	d2 φ	D φ	d φ	E±0.2	L±0.2	WIRE RANGE	
						AWG	mm <sup>2</sup>
3W	4.0	4.0	1.8	10.2	16.0	22-18	0.5-1.0
	0.157	0.157	0.071	0.402	0.630		
3W	4.0	4.7	2.4	10.1	15.2	16-14	1.5-2.5
	0.157	0.185	0.098	0.414	0.620		
3W	4.0	6.5	3.7	13.5	21.4	12-10	4.0-6.0
	0.157	0.255	0.146	0.530	0.843		



## 4-WAY CONNECTOR

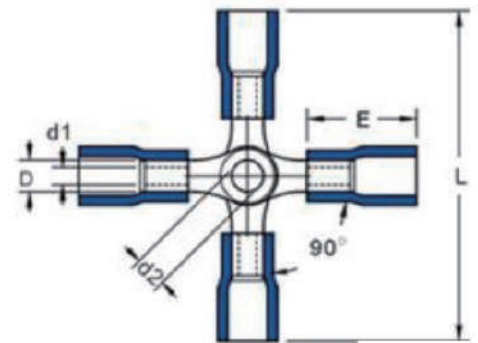
C001-100-9024

\*Material : Metal-Brass with Tin plated , Vinyl-insulated

\*RED , WIRE RANGE: 22-18/0.5-1.0 mm<sup>2</sup>

\*BLUE , WIRE RANGE: 16-14/1.5-2.5 mm<sup>2</sup>

\*YELLOW , WIRE RANGE: 12-10/4.0-6.0 mm<sup>2</sup>



ITEM NO.	d2 φ	D φ	d φ	E±0.2	L±0.2	WIRE RANGE	
						AWG	mm <sup>2</sup>
4W	4.0	4.0	1.8	10.2	31.9	22-18	0.5-1.0
	0.157	0.157	0.071	0.402	1.256		
4W	4.0	4.7	2.4	10.1	30.6	16-14	1.5-2.5
	0.157	0.185	0.098	0.414	1.249		
4W	4.0	6.5	3.7	13.5	42.2	12-10	4.0-6.0
	0.157	0.255	0.146	0.530	1.661		

# Terminal

9

## FULLY INSULATED TERMINAL -FEMALER

**C001-100-9058**

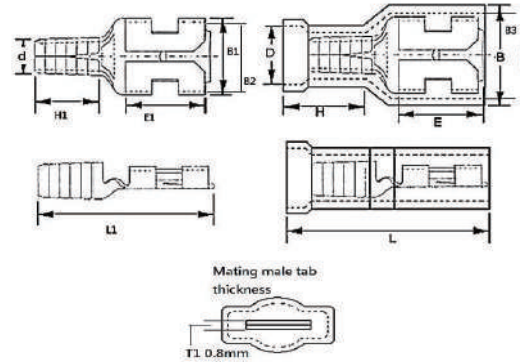


\*Material : Metal-Brass with Tin plated , Insulation-Nylon

\*RED , WIRE RANGE: 22-18/0.5-1.0 mm2

\*BLUE , WIRE RANGE: 16-14/1.5-2.5 mm2

\*YELLOW , WIRE RANGE: 12-10/4.0-6.0 mm2



ITEM NO.	WIRE RANGE		AMP	COLOR	B (+0.2)	B1	B2	B3 (+0.2)	E	E1	D (+0.2)	d	L (+0.2)	L1	H	H1	T1
	AWG	mm <sup>2</sup>															
90581	22-18	0.5-1.0	Max.5A	RED	9.64	7.80	6.78	8.47	8.75	7.50	4.43	1.75	21.77	1.65	10.63	6.00	0.80
90582	16-14	1.5-2.5	Max.20A	BLUE	9.67	7.80	6.78	8.47	8.75	7.50	4.43	2.55	21.71	1.65	10.63	6.00	0.80
90583	12-10	4.0-6.0	Max.40A	YELLOW	9.86	7.80	6.78	8.70	9.20	7.50	6.33	3.65	23.50	1.65	12.80	6.00	0.80

## FULLY INSULATED TERMINAL- MALE

**C001-100-9068**

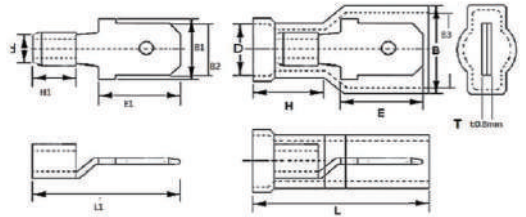


\*Material : Metal-Brass with Tin plated , Insulation-Nylon

\*RED , WIRE RANGE: 22-18/0.5-1.0 mm2

\*BLUE , WIRE RANGE: 16-14/1.5-2.5 mm2

\*YELLOW , WIRE RANGE: 12-10/4.0-6.0 mm2



ITEM NO.	WIRE RANGE		AMP	COLOR	B (+0.2)	B1	B2	B3 (+0.2)	E/E1	D (+0.2)	d	L (+0.2)	L1	H	H1	T1
	AWG	mm <sup>2</sup>														
90681	22-18	0.5-1.0	Max.5A	RED	11.47	7.40	6.20	10.05	9.50	4.43	1.75	23.27	17.00	10.57	6.00	0.80
90682	16-14	1.5-2.5	Max.20A	BLUE	11.47	7.40	6.20	10.05	9.50	4.43	2.55	23.32	17.00	10.72	6.00	0.80
90683	12-10	4.0-6.0	Max.40A	YELLOW	11.85	7.40	6.20	10.05	9.50	6.50	3.65	25.80	17.00	12.92	6.00	0.80

## CRIMPING TOOL - For insulated terminals

**C001-100-9901**



\*Pressure connector: chrome-molybdenum steel , Handle: carbon steel - for durability

\*High compression pressure – for secure crimping

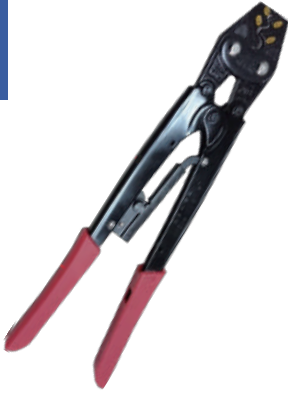
\*Deadlock system – for safe and precise crimping

\*Quick release lever – for ease of use

\*For insulated terminals, red, blue & yellow, 1.5-6mm square , AWG22-10

# Terminal

10



## LONG ARM CRIMPING TOOL

C001-100-9902

- \* Pressure connector: chrome-molybdenum steel
- \* Handle: carbon steel
- \* Plastic: TPE
- \* Quick release lever – for ease of use
- \* 1.25-8.0 mm square , AWG22-10



## WIRE STRIPPER

C001-100-9903

- \* Material: High Carbon Steel
- \* Plastic: TPE
- \* 0.5~5.5mm<sup>2</sup>(20~10AWG)
- \* (Length) : 160mm, (Weigh) : 110g



## CRIMPING TOOL-For Close Insulated Terminal

C001-100-9904

- \* Pressure connector: chrome-molybdenum steel , Handle: carbon steel - for durability
- \* High compression pressure – for secure crimping
- \* Deadlock system – for safe and precise crimping
- \* Quick release lever – for ease of use
- \* For closed terminals, 1.5-6mm square , AWG22-10use

# Terminal

11



## Deutsch Terminal Tool Kit (3pcs)

C001-100-9905

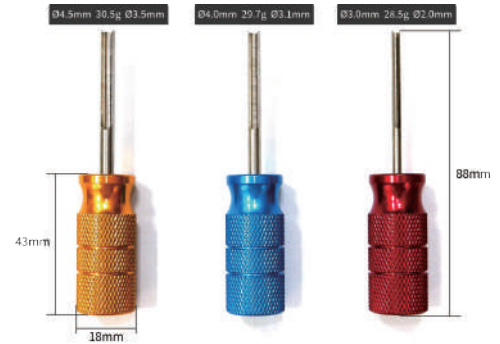
\* Provides coverage for wire gauges between 14-20 and includes combination wedge removal tool."

\* Deutsch connectors used for: automotive, motorcycles, HD trucks, construction equipment, agricultural equipment and some outboard engines.

\* Release terminals safely without damaging the vehicle wiring harness and/or terminal block

\* Stainless steel shaft construction and fitted, anodized aluminum handles with knurled surface for improved grip and control.

\* Precisely trimmed and machined; insertion and release tools.



## Deutsch Terminal Tool Kit (7pcs)

C001-100-9907

\* Provides coverage for wire gauges between 4-20 and includes combination wedge removal tool/miniature flat tip screwdriver.

\* Deutsch connectors used for: automotive, motorcycles, HD trucks, construction equipment, agricultural equipment and some outboard engines.

\* Release terminals safely without damaging the vehicle wiring harness and/or terminal block.

\* Stainless steel shaft construction and fitted, anodized aluminum handles with knurled surface for improved grip and control.

\* Precisely trimmed and machined; insertion and release tools.



Combination wedge removal tool		
4 Gauge	8 Gauge	12 Gauge
C001-100-990604	C001-100-990608	C001-100-990612
Flat tip screwdriver tool		
14 Gauge	16 Gauge	20 Gauge
C001-100-990614	C001-100-990616	C001-100-990620

# Terminal

12



## Deutsch Connector Crimping Tool

**C001-100-9908**

\*Weight:234g

\*Material :

1.Body made by S50C Carbon Steel, hardness@HRC40-45

2.Indenter made by FD-0405 steel, hardness@HRC35-45

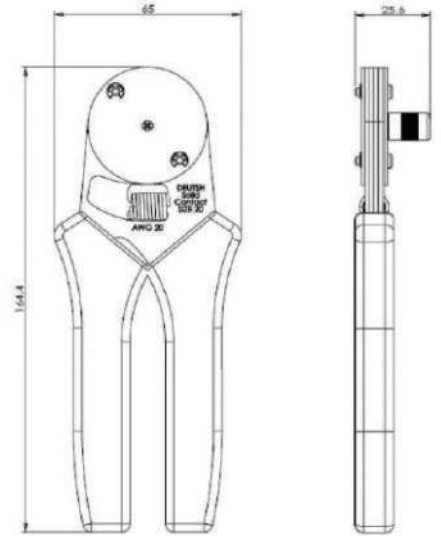
\*Work with DEUTSCH solid contact Size#20 with wire AWG 20-22

\*Comfortable cushioned grips

\*Features ratchet mechanism to complete an effective crimp

\*Customized handle grip color is available

\*4-way indent crimping



## Deutsch Connector Crimping Tool

**C001-100-9909**

\*Weight:234g

\*Material:

1.Body made by S50C Carbon Steel, hardness@HRC40-45

2.Indenter made by FD-0405 steel, hardness@HRC35-45

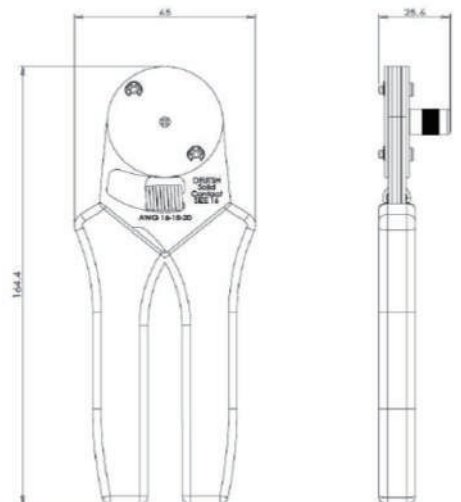
\*Work with DEUTSCH solid contact Size#16 with wire AWG16/18/20

\*Comfortable cushioned grips

\*Features ratchet mechanism to complete an effective crimp

\*Customized handle grip color is available

\*4-way indent crimping





# Terminal

13



## Deutsch Connector Crimping Tool

**C001-100-9910**

\*Weight:238g,Length:164.4mm,Width:65.2 mm,thickness:26.6mm

\*Material :

1.Body made by S50C Carbon Steel, hardness@HRC40-45

2.Indenter made by FD-0405 steel, hardness@HRC35-45

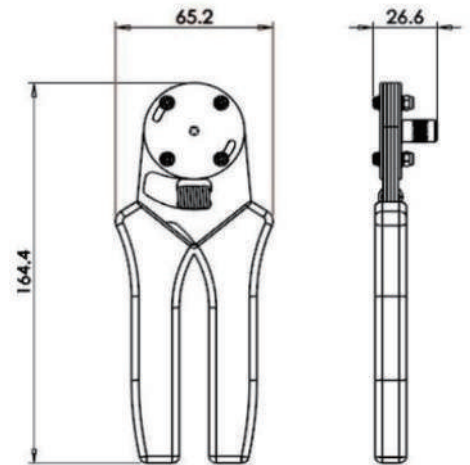
\*Work with DEUTSCH solid contact Size#12 with wire AWG12-14

\*Comfortable cushioned grips

\*Features ratchet mechanism to complete an effective crimp

\*Customized handle grip color is available

\*4-way indent crimping



## Deutsch Connector Crimping Tool

**C001-100-9911**

\*Weight:255g

\*Material :

1.Body made by S50C Carbon Steel, hardness@HRC40-45

2.Indenter made by FD-0405 steel, hardness@HRC35-45

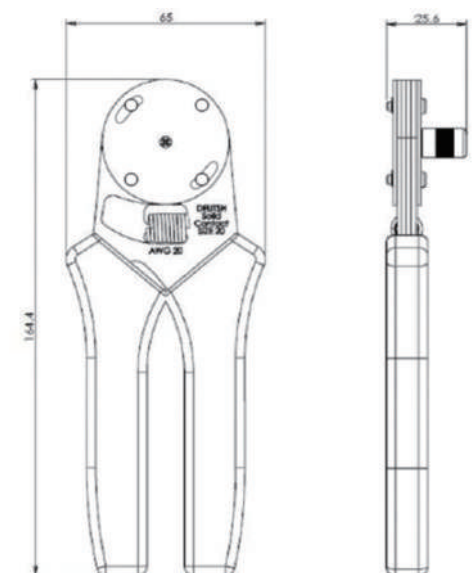
\*Work with DEUTSCH solid contact Size#20 with wire AWG20-22

\*Comfortable cushioned grips

\*Features ratchet mechanism to complete an effective crimp

\*Customized handle grip color is available

\*4-way indent crimping



# Terminal

14



## Deutsch Connector Crimping Tool

C001-100-9912

\*Weight:255g

\*Material :

1.Body made by S50C Carbon Steel, hardness@HRC40-45

2.Indenter made by FD-0405 steel, hardness@HRC35-45

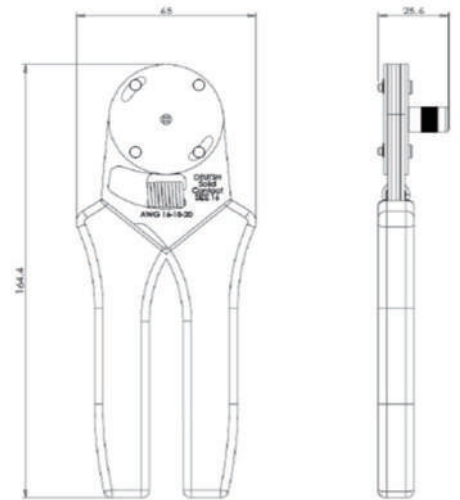
\*Work with DEUTSCH solid contact Size#16 with wire AWG16/18

\*Comfortable cushioned grips

\*Features ratchet mechanism to complete an effective crimp

\*Customized handle grip color is available

\*4-way indent crimping



## Deutsch Connector Crimping Tool

C001-100-9913

\*Weight:238g,Length:164.4mm,Width:65.2 mm,thickness:26.6mm

\*Material :

1.Body made by S50C Carbon Steel, hardness@HRC40-45

2.Indenter made by FD-0405 steel, hardness@HRC35-45

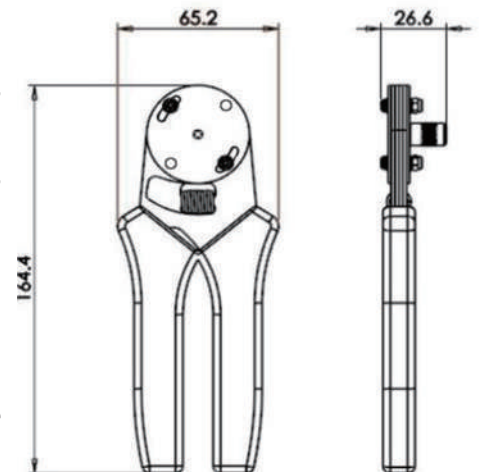
\*Work with DEUTSCH solid contact Size#12 with wire AWG12-14

\*Comfortable cushioned grips

\*Features ratchet mechanism to complete an effective crimp

\*Customized handle grip color is available

\*4-way indent crimping



# Terminal

15

## Deutsch DT Series

### C001-100-DT Series

\*Watts/Amp Rating: 13A Each Pin

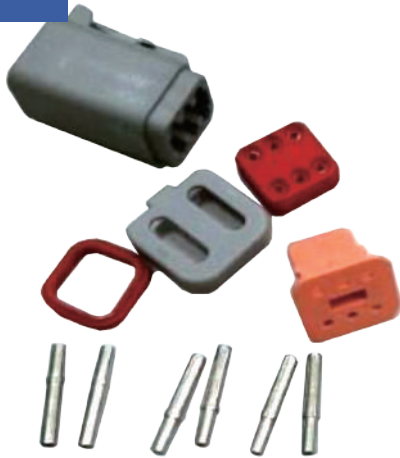
\*Connection Type: Plug/Receptacle/Pin Set

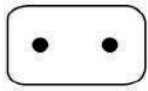


\*Product Properties: Rugged Thermoplastic Housing, Silicone Rubber Grommet, Accepts AWG 20-14 Wire




\*Terminal Material: Nickel Plated Copper Alloy, Colour: Grey

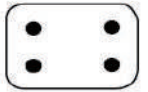


\*Application: Suits Size 16 Applications, Uses 0.5-1.3mm<sup>2</sup> Wire

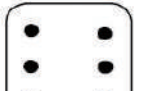


SIZE	SOLID CONTACT PART NUMBERS		WIRE SIZE AWG (mm <sup>2</sup> )	RECOMMENDED STRIP LENGTH INCHES(mm)
	PIN	SOCKET		
16	C001-100-DT01	C001-100-DT02	16-20 (1.0 -0.50)	250-312 (6.35-7.92)

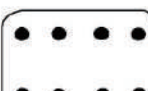







 <p>2 2 size 16</p>	
	
C001-100-DT04-2P	C001-100-DT06-2S

 <p>3 3 size 16</p>	
	
C001-100-DT04-3P	C001-100-DT06-3S

 <p>4 4 size 16</p>	
	
C001-100-DT04-4P	C001-100-DT06-4S

 <p>6 6 size 16</p>	
	
C001-100-DT04-6P	C001-100-DT06-6S

 <p>8 8 size 16</p>	
	
C001-100-DT04-8P	C001-100-DT06-8S

 <p>12 12 size 16</p>	
	
C001-100-DT04-12P	C001-100-DT06-12S

# Terminal

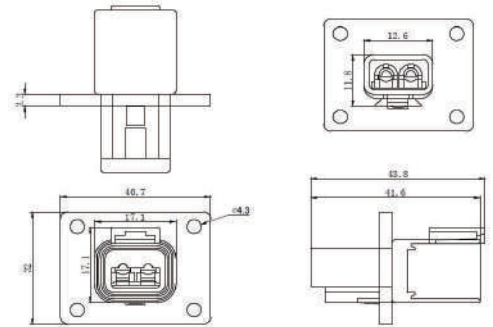
16



## DT 2 pin with flange

**C001-100-DT04-2P-L012**

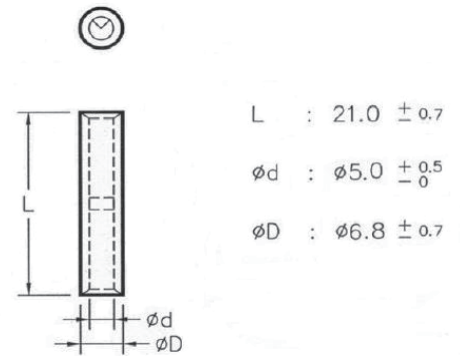
- \*Series: Deutsch DT
- \*Contact Size: 16
- \*Wire Range: 14, 16, 18, 20 depending on contact/terminal used
- \*Gender: Receptacle/ holds pin contact/terminal
- \*Suitable for up to 13 amps continuous



## 8 Gauge uninsulated butt connectors

**C001-100-B8**

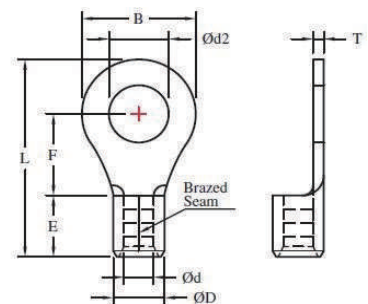
- \*TERMINAL MATERIAL : Copper Tubular
- \*SURFACE TREATMENT : Tin-Plated
- \*WIRE RANGE : 8 A.W.G. 8 mm<sup>2</sup>
- \*MAX. Current Rating : 62A



## NON-INSULATED RING TERMINALS(BRAZED SEAM)

**C001-100-R1**

- \*TERMINAL MATERIAL : COPPER
- \*SURFACE TREATMENT : Tin-Plated
- \*WIRE RANGE : 22-16 A.W.G. 0.5-1.5 mm<sup>2</sup>
- \*THICKNESS : T: 0.75mm



WIRE RANGE A.W.G. mm <sup>2</sup>	ITEM NO.	Stud Size		Dimensions(mm)							
		American	Metric	Ød2	B	F	L	E	Ød	ØD	T
22-16 A.W.G. 0.5-1.5 mm <sup>2</sup>	R1-3NB	#4	3.0	3.2	5.5	4.8	12.5	5.0	1.7	3.4	0.75
	R1-3.5SNB	#6	3.5	3.7	5.5	4.8	12.5				
	R1-3.5NB	#6	3.5	3.7	6.6	6.3	14.6				
	R1-4SNB	#8	4.0	4.3	6.6	6.3	14.6				
	R1-4NB	#8	4.0	4.3	8.0	7.0	16.0				
	R1-5NB	#10	5.0	5.3	8.0	7.0	16.0				
	R1-6NB	1/4	6.0	6.4	11.6	11.1	21.9				
	R1-8NB	5/16	8.0	8.4	11.6	11.1	21.9				
	R1-10NB	3/8	10.0	10.5	13.6	13.9	25.7				
	R1-12NB	1/2	12.0	13.0	19.0	16.0	30.6				

# Terminal

17

## NON-INSULATED RING TERMINALS(BRAZED SEAM)

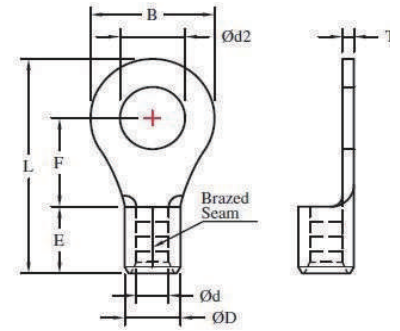
**C001-100-R2**

\*TERMINAL MATERIAL : COPPER

\*SURFACE TREATMENT : Tin-Plated

\*WIRE RANGE : 16-14 A.W.G. 1.5-2.5 mm<sup>2</sup>

\*THICKNESS : T: 0.8mm



WIRE RANGE A.W.G. mm <sup>2</sup>	ITEM NO.	Stud Size		Dimensions(mm)							
		American	Metric	Ød2	B	F	L	E	Ød	ØD	T
16-14 A.W.G.  1.5-2.5 mm <sup>2</sup>	R2-3NB	#4	3.0	3.2	6.6	4.3	12.6	5.0	2.3	4.1	0.8
	R2-3.5SNB	#6	3.5	3.7	6.6	4.3	12.6				
	R2-3.5NB	#6	3.5	3.7	6.6	6.3	14.6				
	R2-4SNB	#8	4.0	4.3	6.6	6.3	14.6				
	R2-4NB	#8	4.0	4.3	8.5	7.8	17.0				
	R2-5SNB	#10	5.0	5.3	8.5	7.8	17.0				
	R2-5NB	#10	5.0	5.3	9.5	7.3	17.0				
	R2-6NB	1/4	6.0	6.4	12.0	11.0	22.0				
	R2-8NB	5/16	8.0	8.4	12.0	11.0	22.0				
	R2-10NB	3/8	10.0	10.5	13.6	13.9	25.7				
R2-12NB	1/2	12.0	13.0	19.0	16.0	30.6					

## NON-INSULATED RING TERMINALS(BRAZED SEAM)

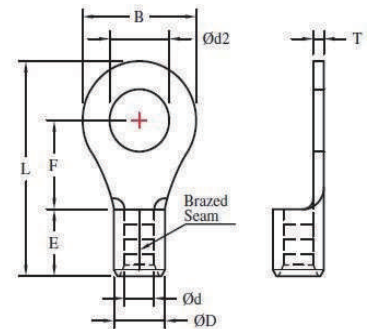
**C001-100-R3**

\*TERMINAL MATERIAL : COPPER

\*SURFACE TREATMENT : Tin-Plated

\*WIRE RANGE : 14-12 A.W.G. 2.5-4 mm<sup>2</sup>

\*THICKNESS : T: 1.0mm



WIRE RANGE A.W.G. mm <sup>2</sup>	ITEM NO.	Stud Size		Dimensions(mm)							
		American	Metric	Ød2	B	F	L	E	Ød	ØD	T
14-12 A.W.G.  2.5-4 mm <sup>2</sup>	R3-4NB	#8	4.0	4.3	8.0	7.8	17.8	6.0	2.9	5.1	1.0
	R3-5NB	#10	5.0	5.3	8.0	7.8	17.8				
	R3-5LNB	#10	5.0	5.3	12.0	9.4	21.4				
	R3-6NB	1/4	6.0	6.4	12.0	9.4	21.4				
	R3-8NB	5/16	8.0	8.4	15.0	13.3	26.8				
	R3-10NB	3/8	10.0	10.5	15.0	13.3	26.8				
	R3-12NB	1/2	12.0	13.0	19.2	16.0	31.6				

# Terminal

18

## NON-INSULATED RING TERMINALS(BRAZED SEAM)

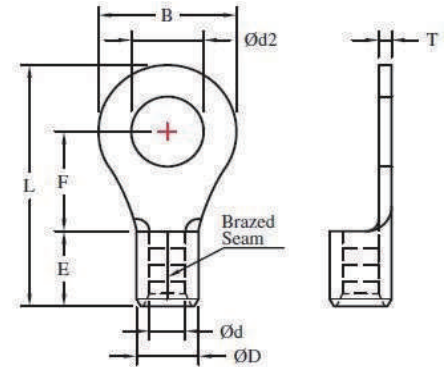
**C001-100-R5**

\*TERMINAL MATERIAL : COPPER

\*SURFACE TREATMENT : Tin-Plated

\*WIRE RANGE : 12-10 A.W.G. 4-6 mm<sup>2</sup>

\*THICKNESS : T: 1.0mm



WIRE RANGE A.W.G. mm2	ITEM NO.	Stud Size		Dimensions(mm)							
		American	Metric	Ød2	B	F	L	E	Ød	ØD	T
12-10 A.W.G.  4-6 mm2	R5-3.5NB	#6	3.5	3.7	7.2	5.9	15.5	6.0	3.4	5.6	1.0
	R5-4SNB	#8	4.0	4.3	7.2	5.9	15.5				
	R5-4NB	#8	4.0	4.3	9.5	8.3	19.0				
	R5-5NB	#10	5.0	5.3	9.5	8.3	19.0				
	R5-6NB	1/4	6.0	6.4	12.0	10.5	22.5				
	R5-8NB	5/16	8.0	8.4	15.0	13.7	27.2				
	R5-10NB	3/8	10.0	10.5	15.0	13.7	27.2				
	R5-12NB	1/2	12.0	13.0	19.2	16.0	31.6				

## NON-INSULATED RING TERMINALS(BRAZED SEAM)

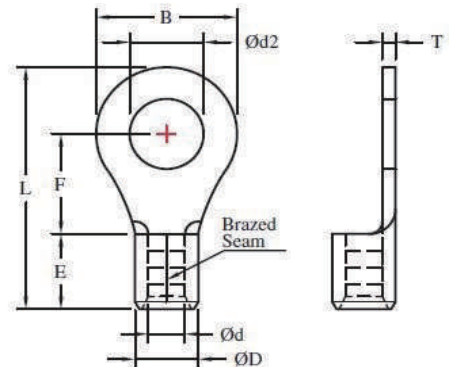
**C001-100-R8**

\*TERMINAL MATERIAL : COPPER

\*SURFACE TREATMENT : Tin-Plated

\*WIRE RANGE : 8 A.W.G. 8 mm<sup>2</sup>

\*THICKNESS : T: 1.2mm



WIRE RANGE A.W.G. mm2	ITEM NO.	Stud Size		Dimensions(mm)							
		American	Metric	Ød2	B	F	L	E	Ød	ØD	T
8 A.W.G.  8 mm2	R8-3.5NB	#6	3.5	3.7	8.0	9.3	21.8	8.5	4.5	7.1	1.2
	R8-4SNB	#8	4.0	4.3	8.0	9.3	21.8				
	R8-4NB	#8	4.0	4.3	12.0	9.3	23.8				
	R8-5SNB	#10	5.0	5.3	9.0	9.3	22.3				
	R8-5NB	#10	5.0	5.3	12.0	9.3	23.8				
	R8-5LNB	#10	5.0	5.3	15.0	13.8	29.8				
	R8-6NB	1/4	6.0	6.4	12.0	9.3	23.8				
	R8-6LNB	1/4	6.0	6.4	15.0	13.8	29.8				
	R8-8NB	5/16	8.0	8.4	15.0	13.8	29.8				
	R8-10NB	3/8	10.0	10.5	15.0	13.8	29.8				
	R8-12NB	1/2	12.0	13.0	20.0	15.0	33.5				

# Terminal

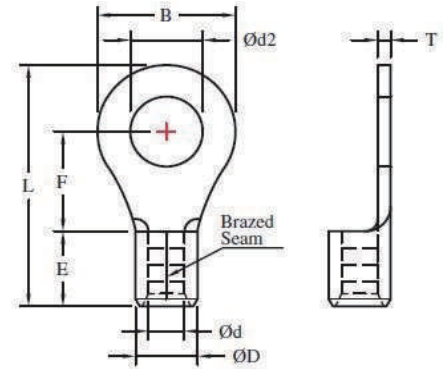
19



## NON-INSULATED RING TERMINALS(BRAZED SEAM)

**C001-100-R14**

- \*TERMINAL MATERIAL : COPPER
- \*SURFACE TREATMENT : Tin-Plated
- \*WIRE RANGE : 6 A.W.G. 14 mm<sup>2</sup>
- \*THICKNESS : T: 1.5mm

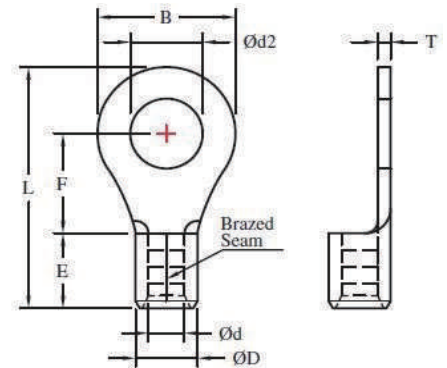


WIRE RANGE A.W.G. mm2	ITEM NO.	Stud Size		Dimensions(mm)							
		American	Metric	Ød2	B	F	L	E	Ød	ØD	T
6 A.W.G.  14 mm2	R14-4NB	#8	4.0	4.3	12.0	13.3	29.8	10.5	5.8	9.0	1.5
	R14-5NB	#10	5.0	5.3	12.0	13.3	29.8				
	R14-6NB	1/4	6.0	6.4	12.0	13.3	29.8				
	R14-6LNB	1/4	6.0	6.6	16.0	14.5	33.0				
	R14-8NB	5/16	8.0	8.4	16.0	14.5	33.0				
	R14-10NB	3/8	10.0	10.5	16.0	14.5	33.0				
	R14-11NB	7/16	11.0	11.5	22.0	19.5	41.0				
	R14-12NB	1/2	12.0	13.0	22.0	19.5	41.0				

## NON-INSULATED RING TERMINALS(BRAZED SEAM)

**C001-100-R22**

- \*TERMINAL MATERIAL : COPPER
- \*SURFACE TREATMENT : Tin-Plated
- \*WIRE RANGE : 4 A.W.G. 22 mm<sup>2</sup>
- \*THICKNESS : T: 1.8mm



WIRE RANGE A.W.G. mm2	ITEM NO.	Stud Size		Dimensions(mm)							
		American	Metric	Ød2	B	F	L	E	Ød	ØD	T
4 A.W.G.  22 mm2	R22-5SNB	#10	5.0	5.3	12.0	12.0	30.0	12.0	7.7	11.5	1.8
	R22-5NB	#10	5.0	5.3	16.5	13.5	33.7				
	R22-6SNB	1/4	6.0	6.4	12.0	12.0	30.0				
	R22-6NB	1/4	6.0	6.6	16.5	13.5	33.7				
	R22-8SNB	5/16	8.0	8.4	12.0	12.0	30.0				
	R22-8NB	5/16	8.0	8.4	16.5	13.5	33.7				
	R22-10SNB	3/8	10.0	10.5	16.5	13.5	33.7				
	R22-10NB	3/8	10.0	10.5	17.5	16.0	36.7				
	R22-11NB	7/16	11.0	11.5	22.0	19.5	42.5				
	R22-12NB	1/2	12.0	13.0	22.0	19.5	42.5				