

PHOTO-TOP TECHNOLOGIES CO.,LTD. CIRCUIT BREAKER

2023 PRODUCT LIST



PHOTO-TOP TECHNOLOGIES CO., LTD.

NO.57.LANE 458,SEC 4,ZHONGHUA RD, XIANGSHAN DIST.

HSINCHU CITY 30060, TAIWAN , R.O.C

TEL: +886 3 5396811 FAX: +886 3 5381793

WWW.PHOTO-TOP.COM.TW



website



Amazon



Taiwantrade



Facebook



**Photo - Top
Technologies Co.,Ltd.**



Photo-Top Technologies is a company specializing in all kinds of auto parts and high-quality products. It can be provided the Top products and the professional technologies to achieve the achievements of customers

Photo-Top Technologies to be established in 2001, it is focus on creating and developing all kinds of auto parts accessories and power protection device .

After the hard working many years , It provide the high-quality products in the automotive industry and got the confidence / responsibility from the customers.

We believe that the core value of our company is to solve and satisfy the customer's issues and request.

Photo-Top Technologies can provide you with the service goals of product diversification, market segmentation and a small amount of variety, providing customers with one-stop shopping services, reducing procurement search costs, and also providing customers with OEM and ODM business services to meet your demand.

Table of Contents

Brand Story	1	Maxi Type circuit breaker T2.....	6
Product Description	2	Maxi Type circuit breaker T1.....	7
Application Of Circuit Breakers	3	Mini Type circuit breaker T3	7
Features of circuit breakers	3	Mini Type circuit breaker T2.....	8
Circuit Breakers Brackets Bracket Material	4	Mini Type circuit breaker T1.....	8
Circuit Breakers waterproof bracket Material.....	4	ATC Blade Type circuit breaker T3	8
Hydraulic and Hi-Amp Protector	4	ATC Blade Type circuit breaker.....	9
ATC Blade Type circuit breaker T3	5	Stud Type Circuit Breaker	9
ATC Blade Type circuit breaker T2	5	Mini Type circuit breaker T1	10
ATC Blade Type circuit breaker T1	6	Thermal Circuit Breaker	10
Maxi Type circuit breaker T3	6		

Product Description

Circuit Breakers



Overload protection: Circuit breakers are designed to automatically interrupt an electrical circuit when they detect an overload, protecting against electrical hazards and damage to equipment.

Short-circuit protection: Circuit breakers also protect against short-circuits by automatically interrupting the flow of electricity when they detect a fault in the circuit.

Resettable: Most circuit breakers can be easily reset after they trip, allowing for quick and convenient restoration of power.

Automotive fuse



Fuses come in different shapes, sizes, and amperage ratings to match the specific needs of the electrical system in a car.

They are typically made of a metal wire or filament that melts when too much current flows through it, interrupting the flow of electricity and preventing damage to the vehicle's electrical components.

Fuse Holder



Fuse holders come in different types, including blade fuse holders, mini fuse holders, and maxi fuse holders, to match the different sizes and types of fuses used in a vehicle.

They are typically made of a durable, heat-resistant material such as plastic or metal and are designed to securely hold the fuse in place, while providing easy access for maintenance and replacement.

Battery Terminals



Battery terminals come in two main types: positive and negative. The positive terminal is usually marked with a "+" symbol, while the negative terminal is marked with a "-" symbol. Both terminals are usually made of brass or other conductive materials and are designed to fit snugly onto the battery posts.

Battery terminals may also include a terminal cover, which is a protective cover that fits over the terminals to prevent accidental contact and provide additional protection from environmental factors such as moisture, dirt, and corrosion.

Battery Connector



Battery connectors come in different types, including clamp connectors, eyelet connectors, and plug-and-socket connectors.

Clamp connectors, also known as battery clamps, are the most common type of battery connector and are used to secure the battery cable to the battery post. They consist of a metal clamp that fits over the battery post and a screw or bolt that tightens down to secure the cable in place.

Relay



Relays are used in cars because they allow the control of high-power circuits with a low-power signal, typically from a switch or control module.

This helps to reduce the size and weight of the wiring and switches in a vehicle, and also helps to protect the electrical system by isolating the high-power circuit from the control circuit.

Battery Accessories



Car battery accessories are a group of components and devices that are used to support the operation and maintenance of a car's battery.

These accessories are designed to enhance the performance, efficiency, and longevity of the battery, as well as to provide safety and protection for both the battery and the vehicle.

The image shows a screenshot of the Photo-Top Technologies Co., Ltd. website. The website has a navigation menu with 'Home', 'Product', 'About Us', and 'Product Catalog'. A magnifying glass is positioned over the 'Product Catalog' link. Below the navigation menu, there is a banner with the company logo (Photo-Top Technologies Co., Ltd.) and the tagline 'Make your driving more comfortable'. A red button labeled 'Show our product' is visible at the bottom left. On the right side of the screenshot, there is a black call to action button that says 'Click here to download the catalog'.

Application Of Circuit Breakers

Circuit breakers are used in a variety of applications to provide protection for electrical circuits and ensure safety.

Some common applications of circuit breakers include:

Residential electrical systems: Circuit breakers are used in homes to protect against electrical overloads and short circuits, and to provide a means of shutting off power to individual circuits.

Commercial and industrial buildings: Circuit breakers are used in these types of buildings to protect against power surges, short circuits, and electrical fires.

Automobiles: Circuit breakers are used in cars to protect against electrical malfunctions and short circuits.

Boats and ships: Circuit breakers are used on boats and ships to provide protection against electrical problems caused by saltwater exposure and other harsh marine environments.

Outdoor electrical systems: Circuit breakers are used in outdoor electrical systems, such as those used for lighting or irrigation, to protect against electrical problems caused by weather exposure.

Data centers and computer networks: Circuit breakers are used to protect sensitive electronic equipment, such as computers and servers, against electrical surges and short circuits.

Medical equipment: Circuit breakers are used in medical equipment, such as defibrillators and ventilators, to protect against electrical malfunctions and to ensure patient safety.



Features of circuit breakers

Overload protection:

Circuit breakers are designed to automatically interrupt an electrical circuit when they detect an overload, protecting against electrical hazards and damage to equipment.

Short-circuit protection:

Circuit breakers also protect against short-circuits by automatically interrupting the flow of electricity when they detect a fault in the circuit.

Resettable:

Most circuit breakers can be easily reset after they trip, allowing for quick and convenient restoration of power.

Selective tripping:

Some circuit breakers are designed to selectively trip, allowing for only the affected circuit to be interrupted and avoiding a widespread power outage.

Current rating:

Circuit breakers are rated for a specific maximum current that they can safely handle, allowing for appropriate sizing of the breaker for a particular electrical system.

Trip time:

Circuit breakers have a specific trip time, which is the time it takes for the breaker to trip and interrupt the circuit when it detects an overload or short-circuit.

Operating temperature range:

Circuit breakers are designed to operate within a specific temperature range, ensuring proper performance and protection in various environmental conditions.

Compatibility:

Circuit breakers are designed to be compatible with a variety of electrical systems and devices, allowing for easy integration and installation in various applications.

Circuit Breakers

1



P004-021-0001

Circuit Breakers Brackets Bracket Material

Galvanized steel , Dimensions(L*W*H)
100*70*50mm



P004-021-0002

Circuit Breakers waterproof bracket Material

PVC, L*W*H:85*60*8.3mm, Color: Black



Hydraulic and Hi-Amp Protector

P004-021-00025

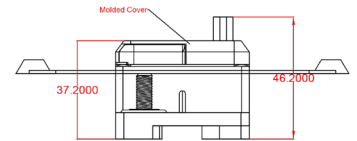
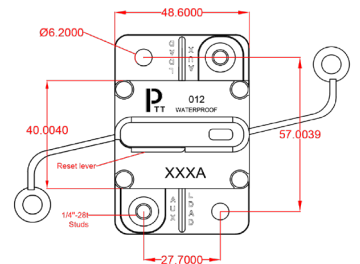
*Ignition Protected: meet S.A.E. J1625, J1171,UL1500, CE, IP67, Water resistant housing, Splash and dust proof

*Operating Temperature: -32C to 82C (-25F to 180F).
3000A @ 48 Vdc, 2,500A @ 14Vdc (25-150A)

*Terminal:1/4"-28 threaded studs,Nut:stainless. Manual Reset Type: T3+switch, Body:UL-rated 94V0

*allow 70VDC pass to 200%. Typically used in DC power systems in marine,truck,RV application,add-on protection for accessories.

*Easy Installation but professional installation is highly recommended. Surface Mount,protective stud insulator included.



ITEM NO.	Description	ITEM NO.	Description
P004-021-00025	Hydraulic and Hi-Amp Protector T3 25A	P004-021-00009	Hydraulic and Hi-Amp Protector T3 90A
P004-021-00003	Hydraulic and Hi-Amp Protector T3 30A	P004-021-0010	Hydraulic and Hi-Amp Protector T3 100A
P004-021-00004	Hydraulic and Hi-Amp Protector T3 40A	P004-021-0012	Hydraulic and Hi-Amp Protector T3 120A
P004-021-00005	Hydraulic and Hi-Amp Protector T3 50A	P004-021-0013	Hydraulic and Hi-Amp Protector T3 130A
P004-021-00006	Hydraulic and Hi-Amp Protector T3 60A	P004-021-0014	Hydraulic and Hi-Amp Protector T3 140A
P004-021-00007	Hydraulic and Hi-Amp Protector T3 70A	P004-021-0015	Hydraulic and Hi-Amp Protector T3 150A
P004-021-00008	Hydraulic and Hi-Amp Protector T3 80A		



Hydraulic and Hi-Amp Protector

P004-021-0018

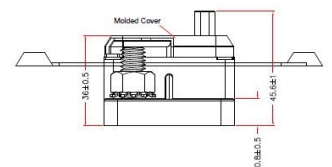
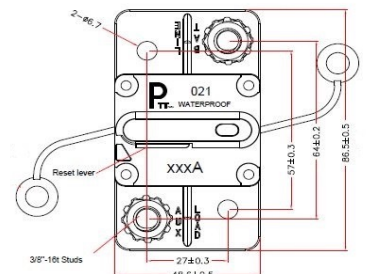
*Ignition Protected: meet S.A.E. J1625, J1171,UL1500, CE, IP67, Water resistant housing, Splash and dust proof

*Operating Temperature: -32C to 82C (-25F to 180F).
3000A @ 48 Vdc, 2,500A @ 14Vdc (25-150A)

*Terminal:3/8"-16 threaded studs. Manual Reset Type: T3+switch, Body:UL-rated 94V0

*allow 70VDC pass to 200%. Typically used in DC power systems in marine,truck,RV application,add-on protection for accessories.

*Easy Installation but professional installation is highly recommended. Surface Mount,protective stud insulator included.



ITEM NO.	Description	ITEM NO.	Description
P004-021-0018	Hydraulic and Hi-Amp Protector T3 180A	P004-021-0025	Hydraulic and Hi-Amp Protector T3 250A
P004-021-0020	Hydraulic and Hi-Amp Protector T3 200A		

Circuit Breakers

2



Hydraulic and Hi-Amp Protector

P004-021-0103

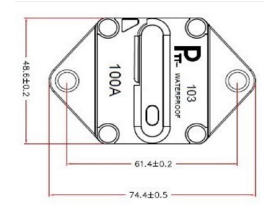
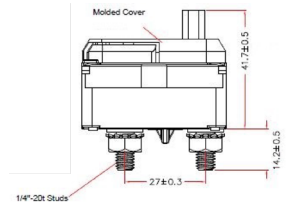
*Ignition Protected: meet S.A.E. J1625, J1171, UL1500, CE, IP67, Water resistant housing, Splash and dust proof

*Operating temperature: -32 °C to 82 °C (-25 °F to 180 °F)
3000A @ 30Vdc(30A-150A), 48V Max*Operating temperature: -32°C to 82°C (-25 °F to 180 °F)

*Terminal:1/4"-28 threaded studs. Manual Reset Type: T3+switch, Surface Mount, Body:UL-rated 94V0

*allow 70VDC pass to 200%. Typically used in DC power systems in marine, truck, RV application, add-on protection for accessories.

*Easy Installation but professional installation is highly recommended. Panel Mount, protective stud insulator included.



ITEM NO.	Description	ITEM NO.	Description
P004-021-0103	Hydraulic and Hi-Amp Protector T3 30A	P004-021-0109	Hydraulic and Hi-Amp Protector T3 90A
P004-021-0104	Hydraulic and Hi-Amp Protector T3 40A	P004-021-0110	Hydraulic and Hi-Amp Protector T3 100A
P004-021-0105	Hydraulic and Hi-Amp Protector T3 50A	P004-021-0112	Hydraulic and Hi-Amp Protector T3 120A
P004-021-0106	Hydraulic and Hi-Amp Protector T3 60A	P004-021-0113	Hydraulic and Hi-Amp Protector T3 130A
P004-021-0107	Hydraulic and Hi-Amp Protector T3 70A	P004-021-0115	Hydraulic and Hi-Amp Protector T3 150A
P004-021-0108	Hydraulic and Hi-Amp Protector T3 80A		

ATC Blade Type circuit breaker T3

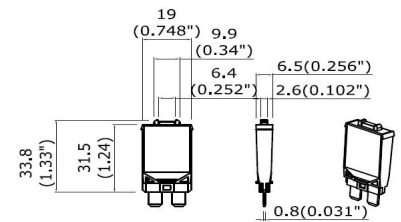
C001-102-0001

*Single pole Thermal Type Breakers.

*Rating: 5-30A, 14Vdc

*Operating temperature: -40F(-40C) to 185F(85C)

*Storage temperature: -40F(-40C) to 260F(125C)



Max. rate current: 30A

ITEM NO.	Description	ITEM NO.	Description
C001-102-0001	ATC Blade Type circuit breaker T3, manual,5AMP	C001-102-0005	ATC Blade Type circuit breaker T3, manual,20AMP
C001-102-0002	ATC Blade Type circuit breaker T3, manual,7.5AMP	C001-102-0006	ATC Blade Type circuit breaker T3, manual,25AMP
C001-102-0003	ATC Blade Type circuit breaker T3 ,manual,10AMP	C001-102-0007	ATC Blade Type circuit breaker T3, manual,30AMP
C001-102-0004	ATC Blade Type circuit breaker T3, manual,15AMP		

ATC Blade Type circuit breaker T2

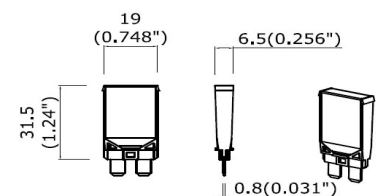
C001-102-0011

*Single pole Thermal Type Breakers.

*Rating: 5-30A, 14Vdc

*Operating temperature: -40F(-40C) to 185F(85C)

*Storage temperature: -40F(-40C) to 260F(125C)



Max. rate current: 30A

ITEM NO.	Description	ITEM NO.	Description
C001-102-0011	ATC Blade Type circuit breaker T2, modified,5AMP	C001-102-0015	ATC Blade Type circuit breaker T2, modified,20AMP
C001-102-0012	ATC Blade Type circuit breaker T2, modified,7.5AMP	C001-102-0016	ATC Blade Type circuit breaker T2, modified,25AMP
C001-102-0013	ATC Blade Type circuit breaker T2, modified,10AMP	C001-102-0017	ATC Blade Type circuit breaker T2, modified,30AMP
C001-102-0014	ATC Blade Type circuit breaker T2, modified,15AMP		

Circuit Breakers

3



ATC Blade Type circuit breaker T1

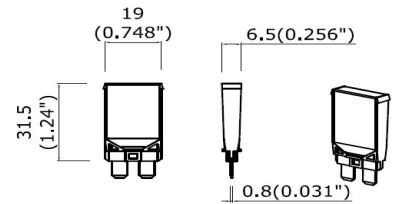
C001-102-0021

*Single pole Thermal Type Breakers.

*Rating: 5-30A, 14Vdc

*Operating temperature: -40F(-40C) to 185F(85C)

*Storage temperature: -40F(-40C) to 260F(125C)



Max. rate current: 30A

ITEM NO.	Description	ITEM NO.	Description
C001-102-0021	ATC Blade Type circuit breaker T1, auto reset,5AMP	C001-102-0025	ATC Blade Type circuit breaker T1, auto reset,20AMP
C001-102-0022	ATC Blade Type circuit breaker T1, auto reset,7.5AMP	C001-102-0026	ATC Blade Type circuit breaker T1, auto reset,25AMP
C001-102-0023	ATC Blade Type circuit breaker T1, auto reset,10AMP	C001-102-0027	ATC Blade Type circuit breaker T1, auto reset,30AMP
C001-102-0024	ATC Blade Type circuit breaker T1, auto reset,15AMP		



Maxi Type circuit breaker T3

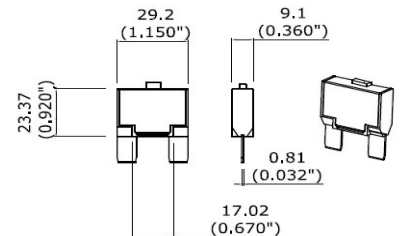
C001-102-0031

*Single pole Thermal Type Breakers.

*Rating: 5-50A, 14Vdc

*Operating temperature: -40F(-40C) to 185F(85C)

*Storage temperature: -40F(-40C) to 260F(125C)



ITEM NO.	Description	ITEM NO.	Description
C001-102-0031	Maxi Type circuit breaker T3, manual,5AMP	C001-102-0036	Maxi Type circuit breaker T3, manual,25AMP
C001-102-0032	Maxi Type circuit breaker T3, manual,7.5AMP	C001-102-0037	Maxi Type circuit breaker T3, manual,30AMP
C001-102-0033	Maxi Type circuit breaker T3, manual,10AMP	C001-102-0038	Maxi Type circuit breaker T3, manual,35AMP
C001-102-0034	Maxi Type circuit breaker T3, manual,15AMP	C001-102-0039	Maxi Type circuit breaker T3, manual,40AMP
C001-102-0035	Maxi Type circuit breaker T3, manual,20AMP	C001-102-0040	Maxi Type circuit breaker T3, manual,50AMP



Maxi Type circuit breaker T2

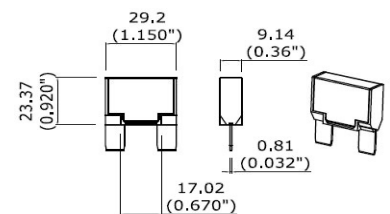
C001-102-0041

*Single pole Thermal Type Breakers.

*Rating: 5-50A, 14Vdc

*Operating temperature: -40F(-40C) to 185F(85C)

*Storage temperature: -40F(-40C) to 260F(125C)



ITEM NO.	Description	ITEM NO.	Description
C001-102-0041	Maxi Type circuit breaker T2, modified,5AMP	C001-102-0046	Maxi Type circuit breaker T2, modified,25AMP
C001-102-0042	Maxi Type circuit breaker T2, modified,7.5AMP	C001-102-0047	Maxi Type circuit breaker T2, modified,30AMP
C001-102-0043	Maxi Type circuit breaker T2, modified,10AMP	C001-102-0048	Maxi Type circuit breaker T2, modified,35AMP
C001-102-0044	Maxi Type circuit breaker T2, modified,15AMP	C001-102-0049	Maxi Type circuit breaker T2, modified,40AMP
C001-102-0045	Maxi Type circuit breaker T2, modified,20AMP	C001-102-0050	Maxi Type circuit breaker T2, modified,50AMP

Circuit Breakers

4



Maxi Type circuit breaker T1

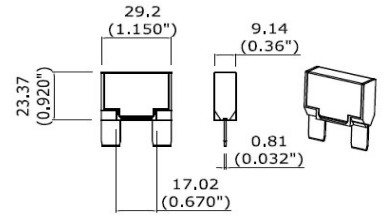
C001-102-0051

*Single pole Thermal Type Breakers.

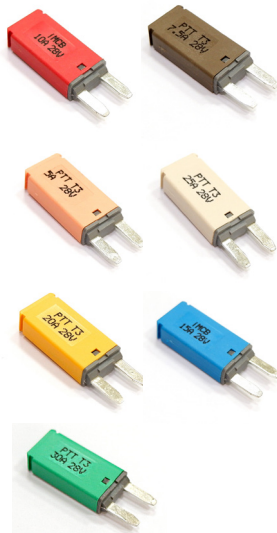
*Rating: 5-50A, 14Vdc

*Operating temperature: -40F(-40C) to 185F(85C)

*Storage temperature: -40F(-40C) to 260F(125C)



ITEM NO.	Description	ITEM NO.	Description
C001-102-0051	Maxi Type circuit breaker T1, auto reset,5AMP	C001-102-0056	Maxi Type circuit breaker T1, auto reset,25AMP
C001-102-0052	Maxi Type circuit breaker T1, auto reset,7.5AMP	C001-102-0057	Maxi Type circuit breaker T1, auto reset,30AMP
C001-102-0053	Maxi Type circuit breaker T1, auto reset,10AMP	C001-102-0058	Maxi Type circuit breaker T1, auto reset,35AMP
C001-102-0054	Maxi Type circuit breaker T1, auto reset,15AMP	C001-102-0059	Maxi Type circuit breaker T1, auto reset,40AMP
C001-102-0055	Maxi Type circuit breaker T1, auto reset,20AMP	C001-102-0060	Maxi Type circuit breaker T1, auto reset,50AMP



Mini Type circuit breaker T3

C001-102-0061

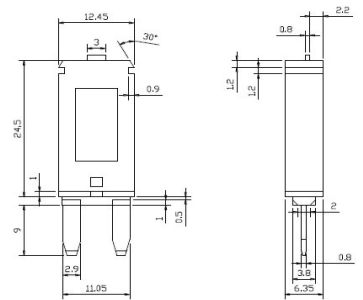
*Body:UL-rated 94V0. Operating temperature: 40F(-40C) to 185F(85C) 5-30A, 28Vdc

*Size: 35.3*12.45*6.35mm. Type III manual reset circuit breaker. Material:Plastic+Metal

*This blade fuse will fit in place of standard ATM fuses. Useful item in any auto electrician's tool box.

*Manual reset current overload protector; high quality fuse, overheating and overcurrent protection

*Suitable for equipment below 28V DC, such as cars, cars, trucks, RV yachts



ITEM NO.	Description	ITEM NO.	Description
C001-102-0061	Mini Type circuit breaker T3, manual,5AMP	C001-102-0065	Mini Type circuit breaker T3, manual,20AMP
C001-102-0062	Mini Type circuit breaker T3, manual,7.5AMP	C001-102-0066	Mini Type circuit breaker T3, manual,25AMP
C001-102-0063	Mini Type circuit breaker T3, manual,10AMP	C001-102-0067	Mini Type circuit breaker T3, manual,30AMP
C001-102-0064	Mini Type circuit breaker T3, manual,15AMP		

Circuit Breakers

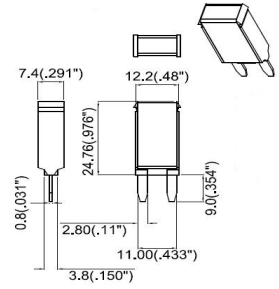
5



Mini Type circuit breaker T2

C001-102-0071

- *Single pole Thermal Type Breakers.
- *Rating: 5-30A, 14Vdc
- *Operating temperature: -40F(-40C) to 185F(85C)
- *Storage temperature: -40F(-40C) to 260F(125C)

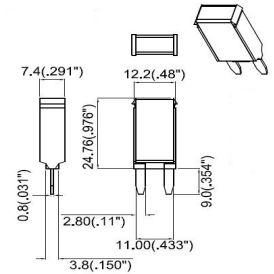


ITEM NO.	Description	ITEM NO.	Description
C001-102-0071	Mini Type circuit breaker T2, modified,5AMP	C001-102-0075	Mini Type circuit breaker T2, modified,20AMP
C001-102-0072	Mini Type circuit breaker T2, modified,7.5AMP	C001-102-0076	Mini Type circuit breaker T2, modified,25AMP
C001-102-0073	Mini Type circuit breaker T2, modified,10AMP	C001-102-0077	Mini Type circuit breaker T2, modified,30AMP
C001-102-0074	Mini Type circuit breaker T2, modified,15AMP		

Mini Type circuit breaker T1

C001-102-0081

- *Single pole Thermal Type Breakers.
- *Rating: 5-30A, 14Vdc
- *Operating temperature: -40F(-40C) to 185F(85C)
- *Storage temperature: -40F(-40C) to 260F(125C)



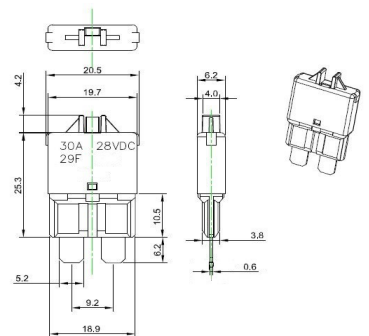
ITEM NO.	Description	ITEM NO.	Description
C001-102-0081	Mini Type circuit breaker T1, auto reset,5AMP	C001-102-0085	Mini Type circuit breaker T1, auto reset,20AMP
C001-102-0082	Mini Type circuit breaker T1, auto reset,7.5AMP	C001-102-0086	Mini Type circuit breaker T1, auto reset,25AMP
C001-102-0083	Mini Type circuit breaker T1, auto reset,10AMP	C001-102-0087	Mini Type circuit breaker T1, auto reset,30AMP
C001-102-0084	Mini Type circuit breaker T1, auto reset,15AMP		



ATC Blade Type circuit breaker T3

C001-102-0091

- *Regulatory Sepcification:SAEJ 553; SAEJ 1171 (Ignition Protected); UL1500,Body:UL-rated 94V0
- *Operating temperature: -40F(-40C) to 185F(85C) 5A-30A, 28Vdc
- *Terminations: 5.2mm wide blades compatible with ATC type fuse blocks . Type3 manual reset circuit breaker.



*Fits applications where fuse block spacing is tight. Fits where fuse terminal is recessed

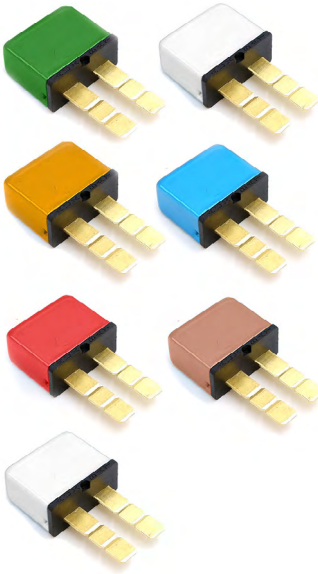
*With over-current protection and Reset with a push of a button. Useful item in any auto electrician's tool box



Color	ITEM NO.	Description	Color	ITEM NO.	Description
Yellow	C001-102-0091	ATC Blade Type circuit breaker T3 ,manual ,5AMP	Yellow	C001-102-0095	ATC Blade Type circuit breaker T3 ,manual ,20AMP
Brown	C001-102-0092	ATC Blade Type circuit breaker T3 ,manual ,7.5AMP	Grey	C001-102-0096	ATC Blade Type circuit breaker T3 ,manual ,25AMP
Red	C001-102-0093	ATC Blade Type circuit breaker T3 ,manual ,10AMP	Green	C001-102-0097	ATC Blade Type circuit breaker T3 ,manual ,30AMP
Blue	C001-102-0094	ATC Blade Type circuit breaker T3 ,manual ,15AMP			

Circuit Breakers

6



ATC Blade Type circuit breaker

C001-102-0101

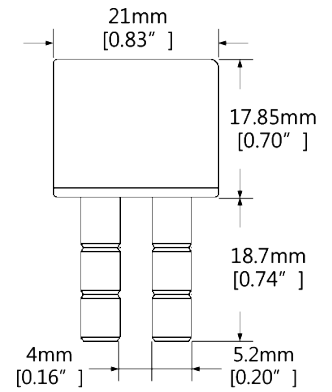
*Compliances : SAE J553 , Single pole Thermal Type Breakers.

*Rating: 5A-30A, 12Vdc

*L*W*H: 36.6*21*10.2mm , Automotive Type : Auto-Reset; Automotive Type I

*Battery chargers, trucks, buses, RV's, trolling motors, etc.

*Features 'snap-off' universal blades to fit tight fuse block spacing or recessed



Color	ITEM NO.	Description	Color	ITEM NO.	Description
White	C001-102-0101	ATC Blade Type circuit breaker, auto reset,5AMP	Orange	C001-102-0105	ATC Blade Type circuit breaker, auto reset,20AMP
Brown	C001-102-0102	ATC Blade Type circuit breaker, auto reset,7.5AMP	Grey	C001-102-0106	ATC Blade Type circuit breaker, auto reset,25AMP
Red	C001-102-0103	ATC Blade Type circuit breaker, auto reset,10AMP	Green	C001-102-0107	ATC Blade Type circuit breaker, auto reset,30AMP
Blue	C001-102-0104	ATC Blade Type circuit breaker, auto reset,15AMP			

Stud Type Circuit Breaker

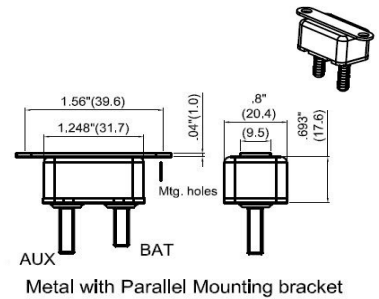
C001-102-0111

*Single pole Thermal Type Breakers.

*Rating: 5A-30A, 12Vdc : 24Vdc

*Operating temperature: -10F(-23C) to 150F(65C)

*Storage temperature: -20F(-29C) to 200F(93C)



ITEM NO.	Description	ITEM NO.	Description
C001-102-00111	Stud Type Circuit Breaker , 5AMP	C001-102-00116	Stud Type Circuit Breaker , 25AMP
C001-102-00112	Stud Type Circuit Breaker , 7.5AMP	C001-102-00117	Stud Type Circuit Breaker , 30AMP
C001-102-00113	Stud Type Circuit Breaker , 10AMP	C001-102-00118	Stud Type Circuit Breaker , 35AMP
C001-102-00114	Stud Type Circuit Breaker , 15AMP	C001-102-00119	Stud Type Circuit Breaker , 40AMP
C001-102-00115	Stud Type Circuit Breaker , 20AMP	C001-102-00120	Stud Type Circuit Breaker , 50AMP

Circuit Breakers

7



Mini Type circuit breaker T1

C001-102-0131

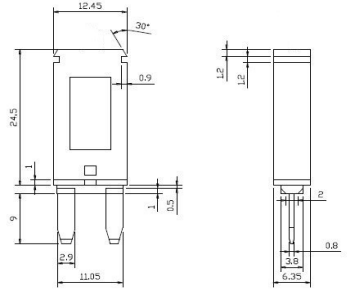
*Single Pole Thermal Type Breakers , Rating : 5 ~ 30A ; 24 VDC

*Operating Temperature Rating : -40 °F (-40 °C) to 180 °F (85°C).

*Storage Temperature Rating : -40 °F (-40 °C) to 260 °F (125°C).

*Termination : Compatible with 280 Type fuse blocks using 0.32in(8.1mm) centering

*Compliances : SAE J553 Type I Circuit Breakers



Color	ITEM NO.	Description	Color	ITEM NO.	Description
Light Brown	C001-102-0131	Mini Type circuit breaker T1 , 5AMP , LT . Brown	Yellow	C001-102-0135	Mini Type circuit breaker T1 , 20AMP , Yellow
Brown	C001-102-0132	Mini Type circuit breaker T1 , 7.5AMP , Brown	White	C001-102-0136	Mini Type circuit breaker T1 , 25AMP , White
Red	C001-102-0133	Mini Type circuit breaker T1 , 10AMP , Red	Green	C001-102-0137	Mini Type circuit breaker T1 , 30AMP , Green
Blue	C001-102-0134	Mini Type circuit breaker T1 , 15AMP , Blue			

Thermal Circuit Breaker

C001-102-0181

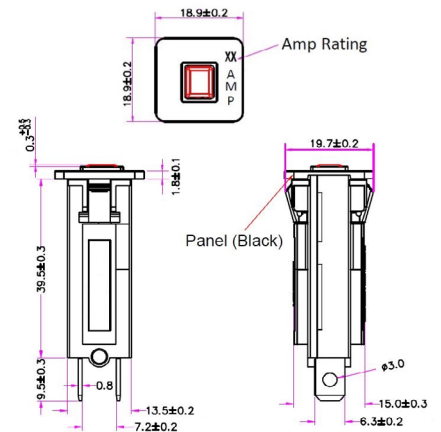
*Current rating range : 0.5~20A

*Input voltage rating : 125/250 VAC; 32 /50VDC

*Interrupting Capacity : 125/250 VAC * 1,000A(UL1077)

*Typical life 1,000 operations at 200% overload

*Degree of protection Terminal area IP00, operating area IP40



ITEM NO.	Description	ITEM NO.	Description	ITEM NO.	Description
C001-102-0181005	0.5A	C001-102-018105	5.0A	C001-102-018115	15A
C001-102-01810075	0.75A	C001-102-018106	6.0A	C001-102-018116	16A
C001-102-018101	1.0A	C001-102-018107	7.0A	C001-102-018117	17A
C001-102-0181015	1.5A	C001-102-018108	8.0A	C001-102-018118	18A
C001-102-018102	2.0A	C001-102-018110	10A	C001-102-018119	19A
C001-102-0181025	2.5A	C001-102-018111	11A	C001-102-018120	20A
C001-102-018103	3.0A	C001-102-018112	12A		
C001-102-018104	4.0A	C001-102-018113	13A		

Circuit Breakers

8



Thermal Circuit Breaker

C001-102-0161

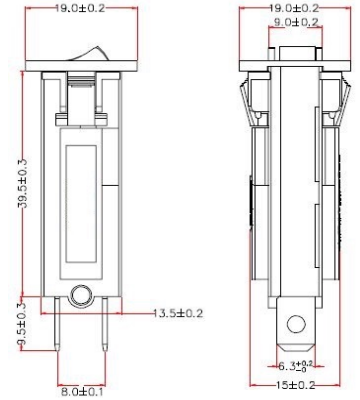
*Current rating range : 0.5~20A

*Input voltage rating : 125/250 VAC; 32 /50VDC

*Interrupting Capacity : 125/250 VAC * 1,000A(UL1077)

*Typical life 1,000 operations at 200% overload

*Degree of protection Terminal area IP00, operating area IP40



ITEM NO.	Description	ITEM NO.	Description	ITEM NO.	Description
C001-102-0161005	0.5A	C001-102-0161005	5.0A	C001-102-0161115	15A
C001-102-01610075	0.75A	C001-102-0161006	6.0A	C001-102-0161116	16A
C001-102-016101	1.0A	C001-102-016107	7.0A	C001-102-0161117	17A
C001-102-0161015	1.5A	C001-102-016108	8.0A	C001-102-0161118	18A
C001-102-016102	2.0A	C001-102-016110	10A	C001-102-0161119	19A
C001-102-0161025	2.5A	C001-102-016111	11A	C001-102-0161120	20A
C001-102-016103	3.0A	C001-102-016112	12A		
C001-102-016104	4.0A	C001-102-016113	13A		

Thermal Circuit Breaker (Single Port Push to Reset for 88)

C001-102-8803

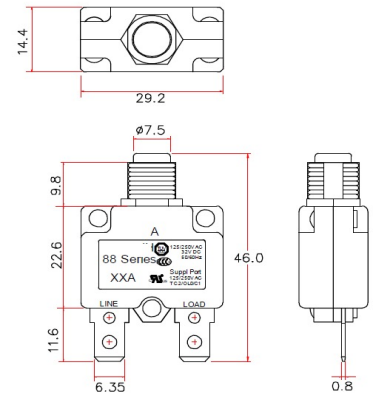
*Ignition Protected: meet terminal area IP00, operating area IP40, ROHS, UL 1077

*Operating Temperature: -10 °C to +60 °C , 125VAC/250VAC, 32/50VDC 125/250VAC x 1,000A >100MOHM (DC 500V)

*Termination: 250' ' (6.35mm) quick connects or solder terminals. L*W*H : 29.2*14.4*44.0mm

* Widely suitable For Automotive/Industrial/Marine And Many Other applications. (can also be used for 24-hour circuit protection)

*Not designed for push on / push off manual switch operation, but the button pops out at overload and is reset by pushing back in



ITEM NO.	Description	ITEM NO.	Description	ITEM NO.	Description
C001-102-8803	3.0A	C001-102-8809	9.0A	C001-102-8817	17.0A
C001-102-88035	3.5A	C001-102-8810	10.0A	C001-102-8818	18.0A
C001-102-8804	4.0A	C001-102-8811	11.0A	C001-102-8820	20.0A
C001-102-8805	5.0A	C001-102-8812	12.0A	C001-102-8822	22.0A
C001-102-8806	6.0A	C001-102-8813	13.0A	C001-102-8825	25.0A
C001-102-8807	7.0A	C001-102-8815	15.0A	C001-102-8830	30.0A
C001-102-8808	8.0A	C001-102-8816	16.0A		

Circuit Breakers

8



Thermal Circuit Breaker (Single Port Push to Reset for 98)

C001-102-9835

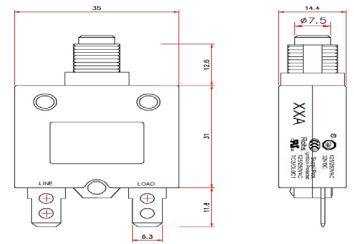
*Ignition Protected: meet terminal area IP00, operating area IP40, ROHS, UL 1077

*Operating Temperature: -10 °C to +60 °C , 125VAC/250VAC, 32/50VDC 125/250VAC x 1,000A >100MOHM (DC 500V)

*Termination: 250' ' (6.35mm) quick connects or solder terminals. L*W*H : 35.0*14.4*55.4

* Widely suitable For Automotive/Industrial/Marine And Many Other applications. (can also be used for

*Not designed for push on / push off manual switch operation, but the button pops out at overload and is reset by pushing back in



ITEM NO.	Description
C001-102-9835	35.0A
C001-102-9840	40.0A
C001-102-9850	50.0A