

PHOTO-TOP TECHNOLOGIES CO.,LTD. FUSE HOLDER

2023 PRODUCT LIST



PHOTO-TOP TECHNOLOGIES CO., LTD.
NO.57.LANE 458,SEC 4,ZHONGHUA RD, XIANGSHAN DIST.
HSINCHU CITY 30060, TAIWAN , R.O.C
TEL: +886 3 5396811 FAX: +886 3 5381793
WWW.PHOTO-TOP.COM.TW



website



Amazon



Taiwantrade



Facebook



**Photo - Top
Technologies Co.,Ltd.**



Photo-Top Technologies is a company specializing in all kinds of auto parts and high-quality products. It can be provided the Top products and the professional technologies to achieve the achievements of customers

Photo-Top Technologies to be established in 2001, it is focus on creating and developing all kinds of auto parts accessories and power protection device .

After the hard working many years , It provide the high-quality products in the automotive industry and got the confidence / responsibility from the customers.

We believe that the core value of our company is to solve and satisfy the customer's issues and request.

Photo-Top Technologies can provide you with the service goals of product diversification, market segmentation and a small amount of variety, providing customers with one-stop shopping services, reducing procurement search costs, and also providing customers with OEM and ODM business services to meet your demand.

Table of Contents

Brand Story	1	Fuse block with LED for ATO	9
Product Description	3	Fuse block with LED for ATM(ASP)	10
Application Of Fuse holder	4	Fuse block with LED for low profile mini fuse	10
Features of Fuse holder	4	Fuse block with waterproof for blade fuse type ..	10
ATP PANEL MOUNT FUSE HOLDER	5	LED ATM Inline Fuse Holder with Cap	10
LED ASP Inline Fuse Holder with Cap	5	In-Line Fuse Holder FOR ATP FUSE	11
LED ATP Inline Fuse Holder with Cap	5	In-Line Fuse Holder FOR ATP FUSE HOLDER•	11
In-Line Fuse Holder FOR MINI FUSE HOLDER•	6	IN LINE BLADE WATERPROOF TYPE FUSE HOLDER	11
In-Line Fuse Holder FOR ATP FUSE HOLDER	6	FUSE Holder 6.30X32 mm	12
In-Line Fuse HolderFOR SUPER MINI FUSE HOLDER	7	In-Line Fuse Holder FOR MINI FUSE HOLDER	12
In-Line Fuse Holder FOR ATP FUSE HOLDER	7	SELF-STRIPPING CONNECTORR	12
In-Line ATO/ATP/ATC FUSE HOLDER-Battery LINK ..	7	SELF-STRIPPING FUSE HOLDER CONNECTORR• •	12
In-Line MINI/ATM/ASP FUSE HOLDER-Battery LINK••	8	Quick Splice Connector	13
In-Line MICRO 3 Blade FUSE HOLDER	8	Midi fuse holder with clear cover•	13
In-Line Low Profile Mini FUSE HOLDER	9	Mega Fuse holder with clear cover•	13
In-Line MICRO II Blade FUSE HOLDER-•	9	In-Line Fuse Holder FOR SUPER MINI FUSE HOLDER	13

SUPERMINI ATP P.C.B. FUSE BLOCK	14	In-Line Fuse Holder FOR MAX FUSE HOLDERBLOCK	25
FUSE Holder 6.30X32 mm	14	Fuse Clip	26
FUSE HOLDER 5.2X20mm	14	Fuse Holder	26
FUSE HOLDER 6.35X32mm	14	ATO ATC ATP WATER PROOF AUTO FUSE HOLDER	27
Quick Splice Connector	15	MAX AMT WATER PROOF AUTO FUSE HOLDERConnector	27
Blade Fuse Block	15	AGC Fuse Blocks	28
In-Line Fuse Holder FOR ATP FUSE HOLDER	15	Nylon Base AGC Fuse Blocks	28
IN LINE BLADE WATERPROOF TYPE FUSE HOLDER	16	Dual Bus Bars	28
In-Line Fuse Holder FOR MINI FUSE HOLDER	16	Nylon Base AGC Fuse Blocks	28
LED MICRO II Inline Fuse Holder with Cap	16	Large Current Bus Bar	29
In-Line Fuse Holder FOR MICRO II FUSE HOLDER	16	AGC Fuse Blocks Series	29
FUSE CLIP P.C.BOARD TYPE FOR ASP BLADE FUSE	17	Modular Design Blade (ATP/ ATO/ATC) Fuse Blocks	30
ATP FUSE HOLDER	17	Heavy-Duty Single Bus Bars	31
FUSE CLIP P.C. BOARD TYPE FOR MAXI BLADE FUSE	17	Heavy-Duty Dual Bus Bars	31
PCB mount Fuse Clip for ATP Blade fuse	17	Heavy-duty Modular Design ANL Fuse Box	32
FUSE CLIP P.C.BOARD TYPE FOR ATP BLADE FUSES	19	Heavy Duty ANL Fuse Box	32
FUSE CLIP P.C.BOARD TYPEFOR ASP BLADE FUSES	19	Heavy-Duty Module Design Bus Bar Box	32
FUSE CLIP P.C.BOARD TYPEFOR ASP BLADE AUTO FUSES	19	Heavy-Duty Module Design Bus Bar Box	33
Double Port USB Charger Socket	20	Heavy-Duty Modular Design Dual Bus Bars	33
FUSE HOLDER	20	Heavy-Duty Modular Design Terminal Studs	33
In-Line Fuse Holder FOR MINI FUSE HOLDER	21	Heavy-Duty Modular Design Dual Maxi	34
In-Line Fuse Holder FOR ATP FUSE HOLDER	21		
FUSE HOLDER 6.35X32mm	21		
Mega Fuse Holder	22		
Midi Fuse Holder	22		
ANL Fuse Block	23		
BLADE PANEL FUSE BLOCK	23		
In-Line Fuse Holder FOR ATP	24		
INLINE FUSE HOLDER FOR GLASS FUSE	24		
Panel mount fuse holder	24		
In-Line Fuse Holder FOR ATP FUSE HOLDER	25		
In-Line Fuse Holder FOR ASP FUSE HOLDER	25		

Product Description

Circuit Breakers



Overload protection: Circuit breakers are designed to automatically interrupt an electrical circuit when they detect an overload, protecting against electrical hazards and damage to equipment.

Short-circuit protection: Circuit breakers also protect against short-circuits by automatically interrupting the flow of electricity when they detect a fault in the circuit.

Resettable: Most circuit breakers can be easily reset after they trip, allowing for quick and convenient restoration of power.

Automotive fuse



Fuses come in different shapes, sizes, and amperage ratings to match the specific needs of the electrical system in a car.

They are typically made of a metal wire or filament that melts when too much current flows through it, interrupting the flow of electricity and preventing damage to the vehicle's electrical components.

Fuse Holder



Fuse holders come in different types, including blade fuse holders, mini fuse holders, and maxi fuse holders, to match the different sizes and types of fuses used in a vehicle.

They are typically made of a durable, heat-resistant material such as plastic or metal and are designed to securely hold the fuse in place, while providing easy access for maintenance and replacement.

Battery Terminals



Battery terminals come in two main types: positive and negative. The positive terminal is usually marked with a "+" symbol, while the negative terminal is marked with a "-" symbol. Both terminals are usually made of brass or other conductive materials and are designed to fit snugly onto the battery posts.

Battery terminals may also include a terminal cover, which is a protective cover that fits over the terminals to prevent accidental contact and provide additional protection from environmental factors such as moisture, dirt, and corrosion.

Battery Connector



Battery connectors come in different types, including clamp connectors, eyelet connectors, and plug-and-socket connectors.

Clamp connectors, also known as battery clamps, are the most common type of battery connector and are used to secure the battery cable to the battery post. They consist of a metal clamp that fits over the battery post and a screw or bolt that tightens down to secure the cable in place.

Relay



Relays are used in cars because they allow the control of high-power circuits with a low-power signal, typically from a switch or control module.

This helps to reduce the size and weight of the wiring and switches in a vehicle, and also helps to protect the electrical system by isolating the high-power circuit from the control circuit.

Battery Accessories



Car battery accessories are a group of components and devices that are used to support the operation and maintenance of a car's battery.

These accessories are designed to enhance the performance, efficiency, and longevity of the battery, as well as to provide safety and protection for both the battery and the vehicle.

PHOTO-TOP TECHNOLOGIES CO., Ltd.
Make your driving more comfortable

Product Catalog

Click here to download the catalog

Show our product

Application Of Fuse holder

A fuse holder is a device that provides a secure and accessible location for a fuse to be mounted in an electrical or electronic system.

Fuse holders are used in a variety of applications, including:

Household electrical systems: Fuse holders are often used in residential electrical panels to provide a secure location for fuses that protect individual circuits.

Automotive electrical systems: Automobiles use fuse holders to mount fuses that protect electrical components, such as lights and the alternator, from damage due to electrical overloads.

Industrial electrical systems: Fuse holders are commonly used in industrial settings to mount fuses that protect electrical equipment and machinery from damage due to power surges or electrical malfunctions.

Electronic devices: Fuse holders are also used in a variety of electronic devices, such as televisions, computers, and other consumer electronics, to provide a secure location for fuses that protect sensitive components from damage due to power surges or electrical malfunctions.

Power distribution systems: Fuse holders are used in power distribution systems, such as electrical substations, to mount fuses that protect electrical equipment and prevent electrical hazards.



Features of Fuse holder

Secure fuse mounting:

The primary function of a fuse holder is to provide a secure location for a fuse to be mounted in an electrical or electronic system. This helps to ensure that the fuse is properly positioned and will function as intended in the event of an electrical overload.

Physical compatibility:

Fuse holders come in a variety of physical sizes and configurations to accommodate different types of electrical systems and fuses. This includes different lengths, diameters, and shapes, as well as different types of terminals and mounting configurations.

Easy fuse access:

Fuse holders are designed to provide easy access to the fuse, allowing it to be easily replaced if it "blows" or breaks the circuit in the event of an electrical overload.

Durability:

Fuse holders are designed to withstand the environmental conditions and mechanical stresses that are associated with their intended use. This includes resistance to temperature, vibration, and other environmental factors.

Electrical insulation:

Fuse holders are typically made of electrical insulating material, which helps to prevent electrical shock and other hazards associated with exposure to live electrical parts.

Material:

Fuse holders can be made from a variety of materials, including plastic, metal, and ceramic. The choice of material can impact the fuse holder's performance and durability, as well as its resistance to temperature, vibration, and other environmental factors.

Fuse Holder

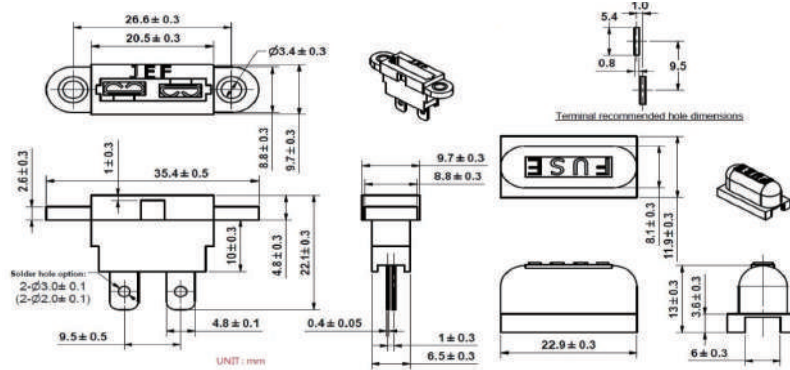
1



ATP PANEL MOUNT FUSE HOLDER

C001-028-0001

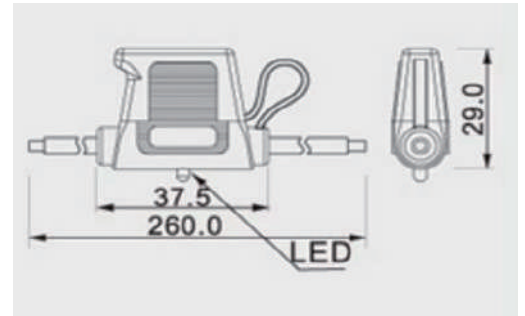
- *Applicable: for ATP blade fuse, ATO blade fuse, ATC blade fuse
- *Electrical: Max. 30A 32V
- *Insulation Body: PA66
- *Contcat: Tin plated Brass



LED ASP Inline Fuse Holder with Cap

C001-028-0002

- *Applicable: for ASPmini fuse
- *Electrical: Max. 30A
- *Insulation Body: PVC
- *Terminal: Brass
- *Available wire gauge: UL 1015 12# AWG , G/6" inch Each End



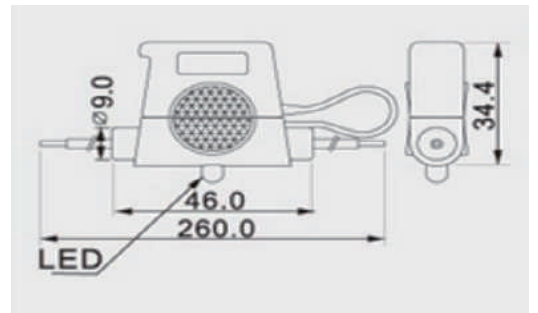
Part Number	Wire Gauge	Maximum Load	Part Number	Wire Gauge	Maximum Load
C001-028-000212	UL 1015 12# AWG	30 Amps	C001-028-000216	UL 1015 16# AWG	15 Amps
C001-028-000214	UL 1015 14# AWG	20 Amps	C001-028-000218	UL 1015 18# AWG	10 Amps



LED ATP Inline Fuse Holder with Cap

C001-028-0003

- *Electrical: 30A MAX.
- *Insulation Body: PVC
- *Terminal: Brass
- *Available wire gauge: UL 1015 12# AWG , G/6" inch Each End



Part Number	Wire Gauge	Maximum Load	Part Number	Wire Gauge	Maximum Load
C001-028-000312	UL 1015 12# AWG	30 Amps	C001-028-000316	UL 1015 16# AWG	15 Amps
C001-028-000314	UL 1015 14# AWG	20 Amps	C001-028-000318	UL 1015 18# AWG	10 Amps

Fuse Holder

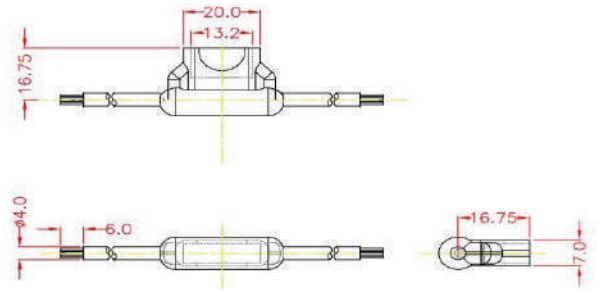
2



In-Line Fuse Holder FOR MINI FUSE HOLDER

C001-028-0007

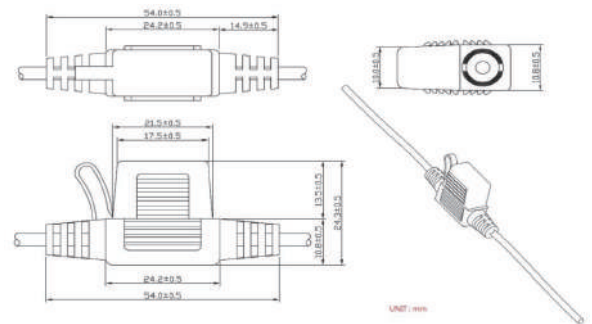
- *Applicable: for ASPmini fuse
- *Electrical: Max. 30A
- *Insulation Body: PVC
- *Terminal: Brass
- *Available wire gauge: UL 1015 12# AWG , G/6" inch Each End



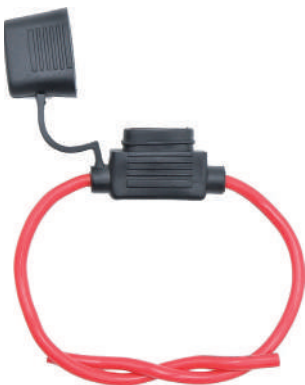
In-Line Fuse Holder FOR MINI FUSE HOLDER

C001-028-0008

- *Applicable: for ASPmini fuse
- *Electrical: Max. 30A
- *Insulation Body: PVC
- *Terminal: Brass
- *Available wire gauge: UL 1015 12# AWG , G/6" inch Each End



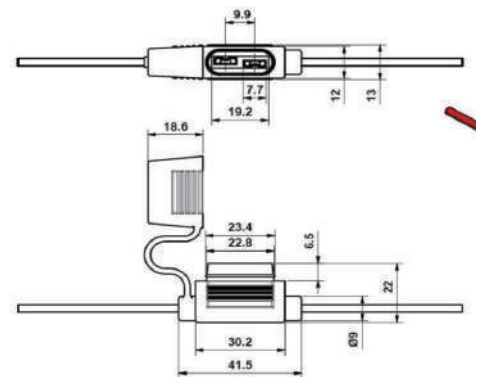
Part Number	Wire Gauge	Maximum Load	Part Number	Wire Gauge	Maximum Load
C001-028-000812	UL 1015 12# AWG	30 Amps	C001-028-000818	UL 1015 18# AWG	10 Amps
C001-028-000814	UL 1015 14# AWG	20 Amps	C001-028-000820	UL 1015 20# AWG	3 Amps
C001-028-000816	UL 1015 16# AWG	15 Amps			



In-Line Fuse Holder FOR ATP FUSE HOLDER

C001-028-0009

- *Electrical: 30A MAX.
- *Insulation Body: PVC
- *Terminal: Brass
- *Available wire gauge: UL 1015 12# AWG , G/6" inch Each End



Part Number	Wire Gauge	Maximum Load	Part Number	Wire Gauge	Maximum Load
C001-028-000910	UL 1015 10# AWG	40 Amps	C001-028-000916	UL 1015 16# AWG	10 Amps
C001-028-000912	UL 1015 12# AWG	30 Amps	C001-028-000918	UL 1015 18# AWG	5 Amps
C001-028-000914	UL 1015 14# AWG	20 Amps	C001-028-000920	UL 1015 20# AWG	3 Amps

Fuse Holder

3



In-Line Fuse Holder FOR SUPER MINI FUSE HOLDER

C001-028-0010

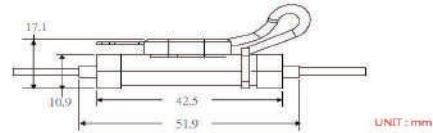
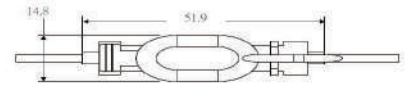
*Applicable: Low Profile mini fuse,
Super mini fuse, Micro fuse

*Electrical: Max. 30A

*Insulation Body: NYLON

*Terminal: Brass

*Available wire gauge: UL 1015 12#
AWG , G/6" inch Each End



In-Line Fuse Holder FOR ATP FUSE HOLDER

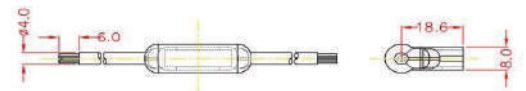
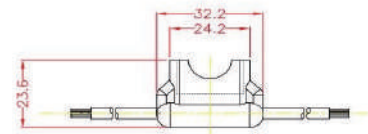
C001-028-0011

*Electrical: 30A MAX.

*Insulation Body: PVC

*Terminal: Brass

*Available wire gauge: UL 1015 12#
AWG , G/6" inch Each End



In-Line ATO/ATP/ATC FUSE HOLDER-Battery LINK

C001-028-0021

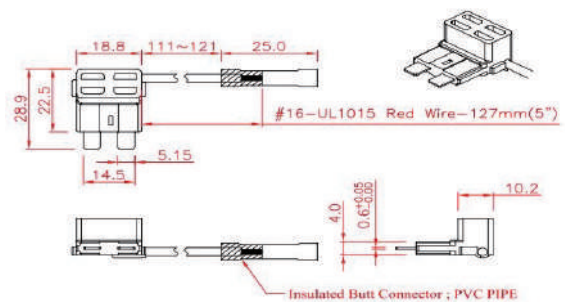
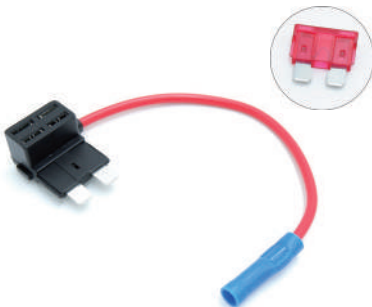
*Product meet ROHS.

*Cable Wire: #16-UL1015 Red Wire-
127mm±5mm(5"). Applicable Fuse:
(ATO/ATP/ATC)

*Max. Installation rating up to 15
Amps , Butt Splice connectors pull-
out force min. 15kg.

*Easy to use: plugs into Occupied or
vacant energized fuse block slot.
Easy installation of additional circuits
without splicing or cutting

*Versatility: Use when hardwiring
or adding LED strips, dash cams or
other electronic devices that require
direct wiring into the fuse box



Fuse Holder

5



In-Line Low Profile Mini FUSE HOLDER-Battery LINK EXTENSION

C001-028-0025



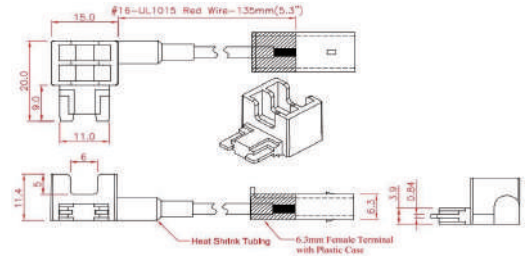
*Product meet ROHS.

* Cable Wire:#16-UL1015 Red Wire-127mm±5mm(5"). Applicable Fuse: (Low Profile Mini Fuse)

*Max. Installation rating up to 15 Amps , Butt Splice connectors pull-out force min. 15kg.

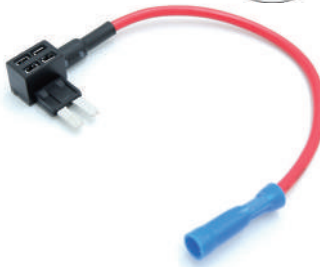
*Easy to use: plugs into Occupied or vacant energized fuse block slot. Easy installation of additional circuits without splicing or cutting

*Versatility: Use when hardwiring or adding LED strips, dash cams or other electronic devices that require direct wiring into the fuse box



In-Line MICRO II Blade FUSE HOLDER-Battery LINK EXTENSION

C001-028-0026



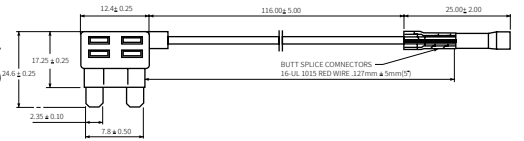
*Product meet ROHS.

* Cable Wire:#16-UL1015 Red Wire-127mm±5mm(5"). Applicable Fuse: (Micro II Blade Fuse)

*Max. Installation rating up to 15 Amps , Butt Splice connectors pull-out force min. 15kg.

*Easy to use: plugs into Occupied or vacant energized fuse block slot. Easy installation of additional circuits without splicing or cutting

*Versatility: Use when hardwiring or adding LED strips, dash cams or other electronic devices that require direct wiring into the fuse box



Fuse block with LED for ATO

C001-028-0027



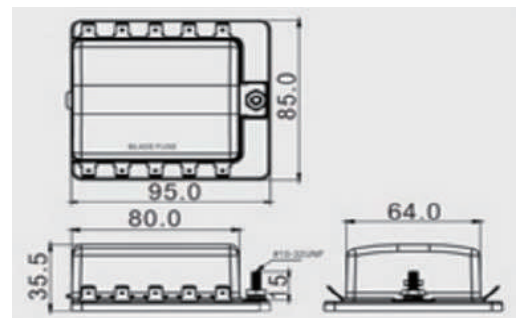
*Base: PBT (UL flame: 94V-0).

*Cap: PC (UL flame: 94V-2).

*Input wire size: #4-6AWG.

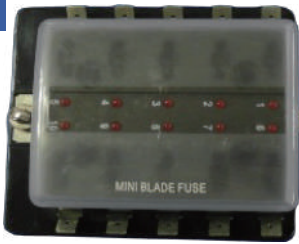
*Output wire size: #12-16AWG.

*Red LED indicates when fuse is broken.



Fuse Holder

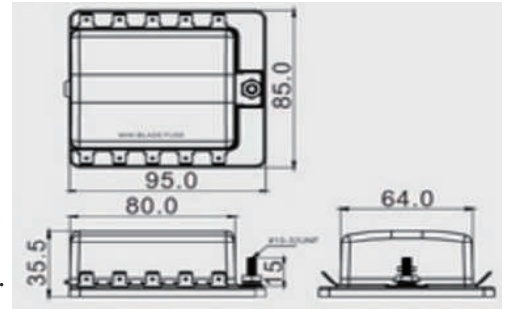
6



Fuse block with LED for ATM(ASP)

C001-028-0028

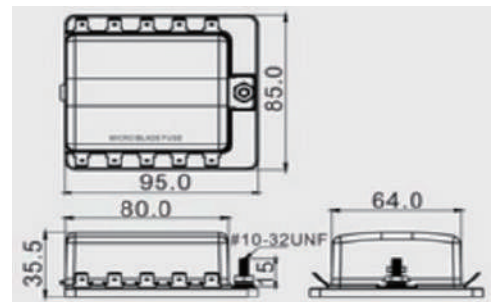
- *Base: PBT (UL flame: 94V-0).
- *Cap: PC (UL flame: 94V-2).
- *Input wire size: #4-6AWG.
- *Output wire size: #12-16AWG.
- *Red LED indicates when fuse is broken.



Fuse block with LED for low profile mini fuse

C001-028-0029

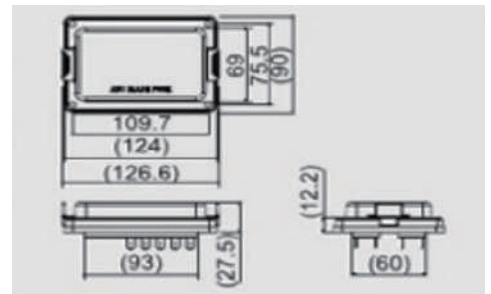
- *Base: PBT (UL flame: 94V-0).
- *Cap: PC (UL flame: 94V-2).
- *Input wire size: #4-6AWG.
- *Output wire size: #12-16AWG.
- *Red LED indicates when fuse is broken.



Fuse block with waterproof for blade fuse type

C001-028-0030

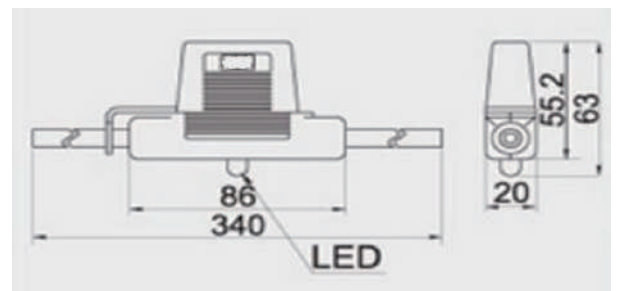
- *Material: Base is PBT (UL flame: 94V-0).
- *Cap is nylon with glass fiber (UL flame: 94HB).
- *Wire sizes: #10-16AWG.
- *Mounting torque rating: 8in-lb (0.9Nm) max.
- *Red LED indicates when fuse is broken.



LED ATM Inline Fuse Holder with Cap

C001-028-0040

- *Electrical: 60A MAX.
- *Insulation Body: PVC94HB).
- *Terminal: Brass
- *Available wire gauge: UL 1015 6# AWG , G/6" inch Each End



Part Number	Wire Gauge	Maximum Load
C001-028-004006	UL 1015 6# AWG	60 Amps

Fuse Holder

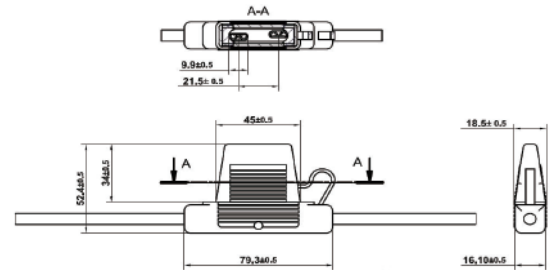
7



LED ATM In-line Fuse Holder with Cap

C001-028-0045

- *Electrical: 60A MAX.
- *Insulation Body: PVC94HB).
- *Terminal: Brass
- *Available wire gauge: UL 1015 6# AWG , G/6" inch Each End



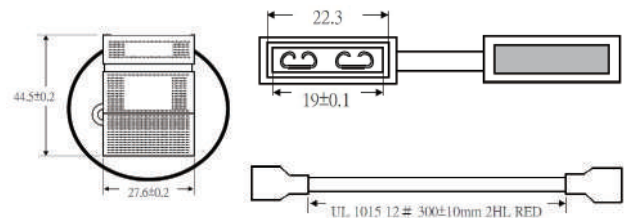
Part Number	Wire Gauge	Maximum Load
C001-028-004506	UL 1015 6# AWG	60 Amps
C001-028-004508	UL 1015 8# AWG	50 Amps
C001-028-004510	UL 1015 10# AWG	40 Amps



In-Line Fuse Holder FOR ATP FUSE

C001-028-0054

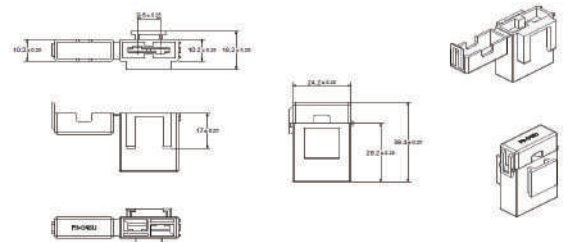
- *Water Resistant Type.
- *Body Material:TPE/PVC.
- *Applicable Fuse:ATC,ATO.
- *Wires:10#. 12#. 14#. 16#. 18#.
- *Length:12" , Rated Current:30 AMP MAX.



In-Line Fuse Holder FOR ATP FUSE HOLDER

C001-028-0059

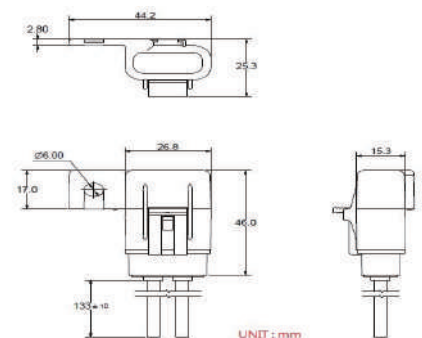
- *Electrical: 30A MAX.
- *Insulation Body: Nylon
- *Terminal: Brass
- *Available wire gauge: UL 1015 12# AWG , G/6" inch Each End



IN LINE BLADE WATERPROOF TYPE FUSE HOLDER

C001-028-0061

- *Applicable: for ATP blade fuse,ATO blade fuse, ATC blade fuse
- *Electrical: Max. 30A Voltage: Max. 32V
- *Insulation Body: PVC
- *Terminal:Brass
- *Available wire gauge: UL 1015 12# AWG , G/6" inch Each End



Fuse Holder

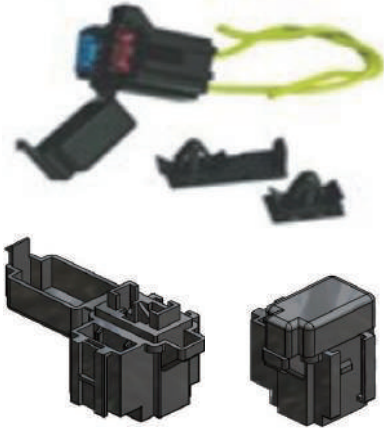
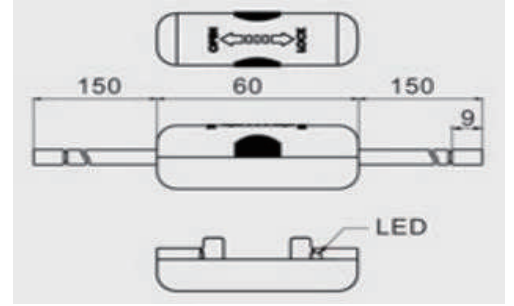
8



FUSE Holder 6.30X32 mm

C001-028-0066

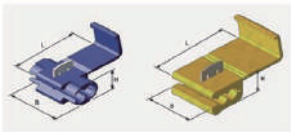
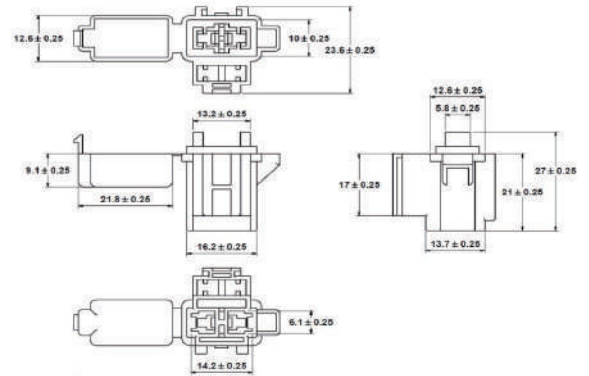
- *Rating: 30A 32V DC
- *Frame: PBT (UL flame: 94V-0).
- *Cap: PC (UL flame: 94V-2).
- *LED indicates when fuse is broken.



In-Line Fuse Holder FOR MINI FUSE HOLDER

C001-028-0074

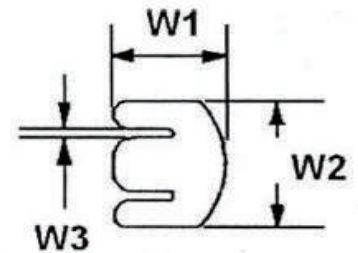
- *Applicable: for ASPmini fuse
- *Electrical: Max. 30A
- *Insulation Body: Nylon
- *Terminal: Brass
- *Available wire gauge: UL 1015 12# AWG , G/6" inch Each End



SELF-STRIPPING CONNECTOR

C001-028-0076

- *Material : Metal-Brass with Tin plated , Insulation-PP
- *RED , WIRE RANGE: 22-18/0.5-1.0 mm²
- *BLUE , WIRE RANGE: 16-14/1.5-2.5 mm²
- *YELLOW , WIRE RANGE: 12-10/4.0-6.0 mm²

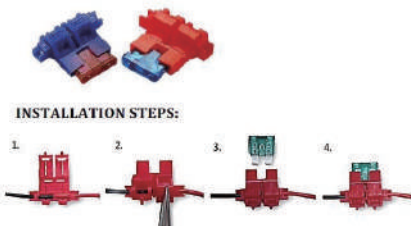


Part Number	Wire Gauge AWG/mm ²	DIMENSIONS inch(mm)			Color
		B	H	L	
C001-028-004506	22 ~ 18 AWG 0.5 ~ 1.0 mm ²	.787(20.0)	.315(8.0)	.984(25.0)	RED
C001-028-004508	16 ~ 14 AWG 1.0 ~ 2.5 mm ²			1.378(35.0)	BLUE TAN
C001-028-004510	12 ~ 10 AWG 4 ~ 6 mm ²				YELLOW

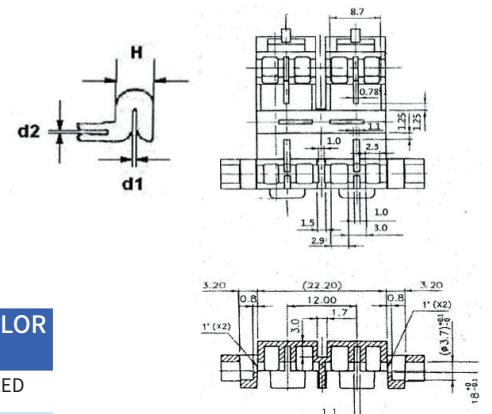
SELF-STRIPPING FUSE HOLDER CONNECTOR

C001-028-0079

- *Material : Metal-Brass with Tin plated , Insulation-PP
- *RED , WIRE RANGE: 22-18/0.5-1.0 mm²
- *BLUE , WIRE RANGE: 16-14/1.5-2.5 mm²



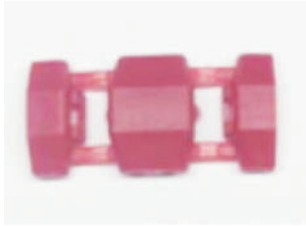
INSTALLATION STEPS:



Item No	Wire Gauge		AMP	COLOR
	AWG	mm ²		
C001-028-0079-1	22-18	0.5-1.0	Max.5A	RED
C001-028-0079-2	16-14	1.5-2.5	Max.30A	BLUE

Fuse Holder

9



Quick Splice Connector

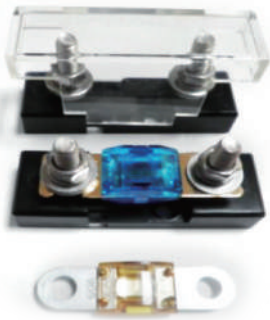
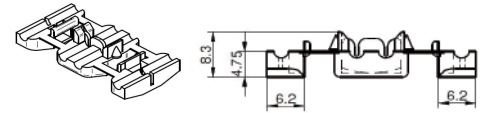
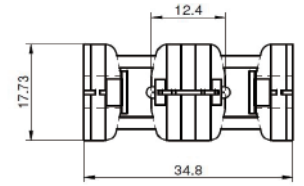
C001-028-0080

*Material : Metal-Brass with Tin plated , Insulation-Nylon

*Electric current rating: AWG 22 -18: 5A

*Temperature resistance rating: 105 degrees Celsius. (221 Fahrenheit)

*Approval: RoHS



Midi fuse holder with clear cover

C001-028-0076

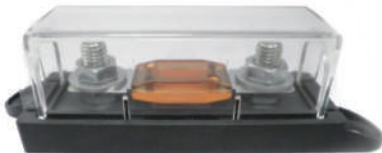
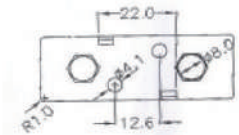
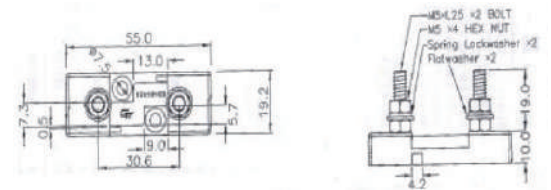
*Voltage Rating: 58V DC below

*Cover: PC Transparent Clear

*Body Material: Flame Retarding Plastic

*All Metal material: Stainless Steel Nickel Plated

*Use Midi fuse upto 150Amp



Mega Fuse holder with clear cover

C001-028-0083

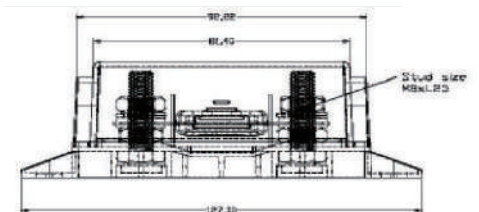
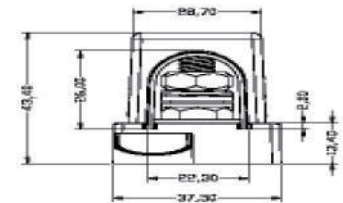
*Voltage Rating: 58V DC below

*Cover: PC Transparent Clear

*Body Material: Flame Retarding Plastic

*All Metal material: Stainless Steel Nickel Plated

*Use MEGA/HMDP fuse upto 300Amp



In-Line Fuse Holder FOR SUPER MINI FUSE HOLDER

C001-028-0084

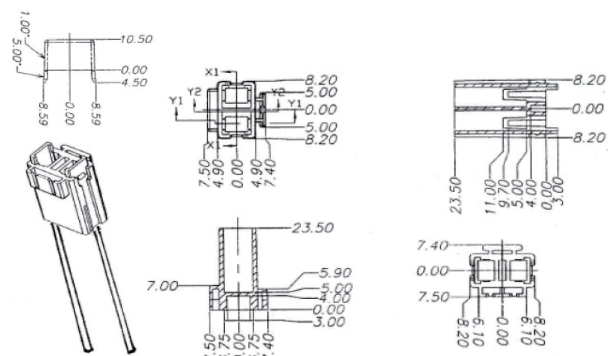
*Applicable: Low Profile mini fuse, Super mini fuse, Micro fuse

*Electrical: Max. 20A

*Insulation Body: NYLON

*Terminal:Brass

*Available wire gauge: UL 1015 14# AWG , G/6" inch Each End



Fuse Holder

11



Quick Splice Connector

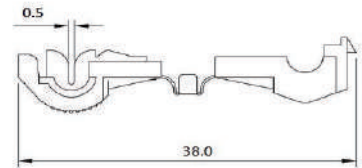
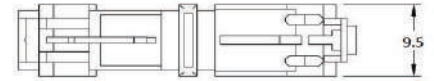
C001-028-0093

*Material : Metal-Brass with Tin plated , Insulation-PP

*Electric current rating: AWG 22 -18: 5A

*Temperature resistance rating: 105 degrees Celsius. (221 Fahrenheit)

*Approval: RoHS



Part Number	Wire Gauge	Part Number	Wire Gauge
C001-028-0093-01	22~18 AWG 0.5~1.0 mm ²	C001-028-0093-03	12~10 AWG 4~6 mm ²
C001-028-0093-02	26~14 AWG 1.0~2.5 mm ²		



4 Way Blade Fuse Block

C001-028-0089-04P



6 Way Blade Fuse Block

C001-028-0089-06P



8 Way Blade Fuse Block

C001-028-0089-08P



10 Way Blade Fuse Block

C001-028-0089-10P

*Maximum Amperage per circuit-15Amps.

*Maximum voltage 32VDC.

*Cover material clear polycarbonate.

*Base material Thermoplastic.

Part Number	Wire Gauge	Maximum Load
C001-028-0089-04P	4 Way Blade Fuse Block	30 Amps
C001-028-0089-06P	6 Way Blade Fuse Block	45 Amps
C001-028-0089-08P	8 Way Blade Fuse Block	60 Amps
C001-028-0089-10P	10 Way Blade Fuse Block	90 Amps

In-Line Fuse Holder FOR ATP FUSE HOLDER

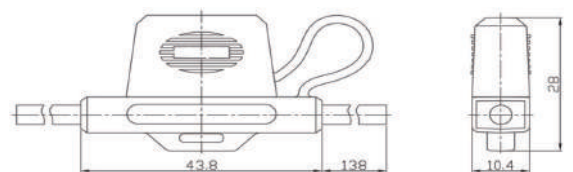
C001-028-0102

*Electrical: 30A MAX.

*Insulation Body: PVC

*Terminal: Brass

*Available wire gauge: UL 1015 12# AWG , G/6" inch Each End



In-Line Fuse Holder FOR ATP FUSE HOLDER

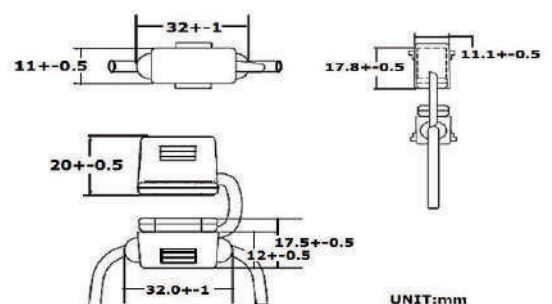
C001-028-0103

*Electrical: 30A MAX.

*Insulation Body: PVC

*Terminal: Brass

*Available wire gauge: UL 1015 12# AWG , G/6" inch Each End



Fuse Holder

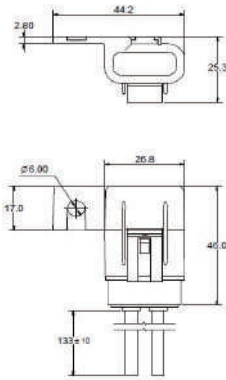
12



IN LINE BLADE WATERPROOF TYPE FUSE HOLDER

C001-028-0104

- *Applicable: for ASP blade fuse
- *Electrical: Max. 30A
- *Insulation Body: PVC
- *Terminal: Brass
- *Available wire gauge: UL 1015 12# AWG , G/6" inch Each End

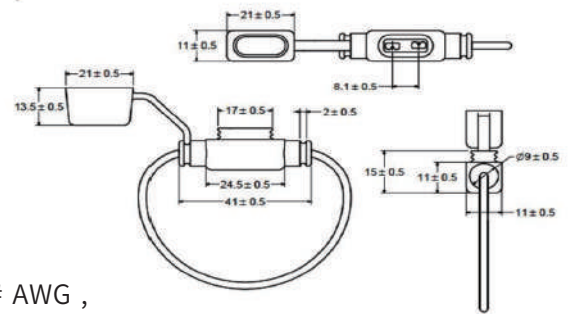


In-Line Fuse Holder FOR MINI FUSE HOLDER

C001-028-0105



- *Applicable: for ASPmini fuse
- *Electrical: Max. 30A
- *Insulation Body: PVC
- *Terminal: Brass
- *Available wire gauge: UL 1015 12# AWG , G/6" inch Each End



LED MICRO II Inline Fuse Holder with Cap

C001-028-0106



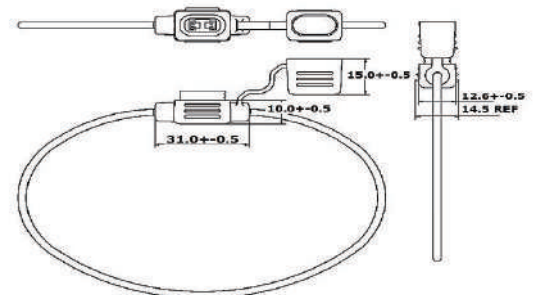
- *Electrical: 30A MAX.
- *Insulation Body: PVC
- *Terminal: Brass
- *Available wire gauge: UL 1015 12# AWG , G/6" inch Each End

In-Line Fuse Holder FOR MICRO II FUSE HOLDER

C001-028-0107

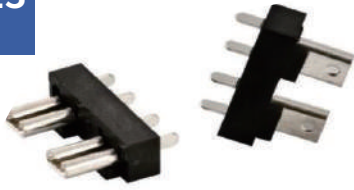


- *Applicable: for MICRO II fuse
- *Electrical: Max. 30A
- *Insulation Body: PVC
- *Terminal: Brass
- *Available wire gauge: UL 1015 12# AWG , G/6" inch Each End



Fuse Holder

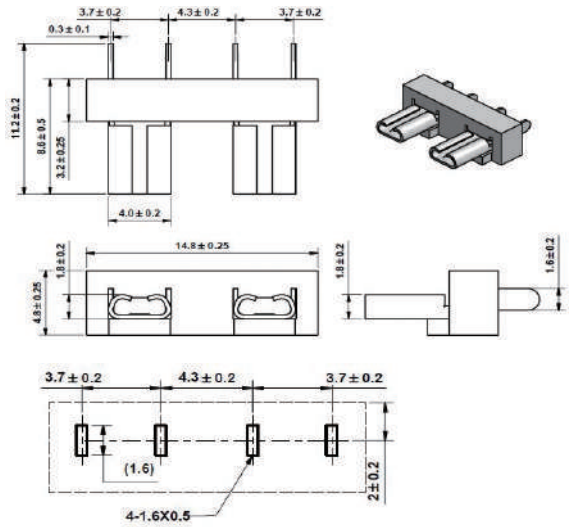
13



FUSE CLIP P.C.BOARD TYPE FOR ASP BLADE FUSE

C001-028-0108

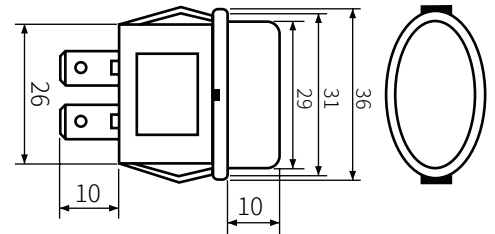
- *Electical:Rating for currents up to 15A
- * Material:Phosphor Bronze Thickness=0.3mm
- *Finish:Tin-plated or Nickel-plated
- *Insertion & Extraction Force=1kg.Min.



ATP FUSE HOLDER

C001-028-0109

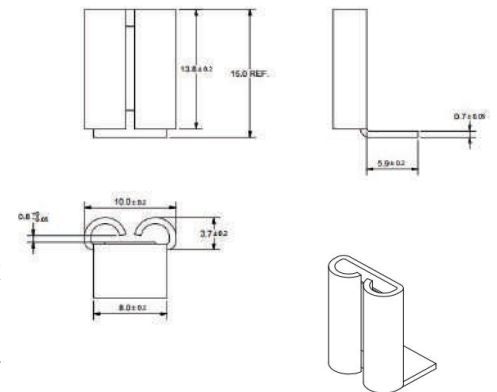
- *Applicable: for ATP blade fuse,ATO blade fuse, ATC blade fuse
- *Electrical: Max. 30A 32V
- *LED indicates when fuse is broken
- *Snap-in mounting, easy to install fuse holder into panel



FUSE CLIP P.C. BOARD TYPE FOR MAXI BLADE FUSE

C001-028-0110

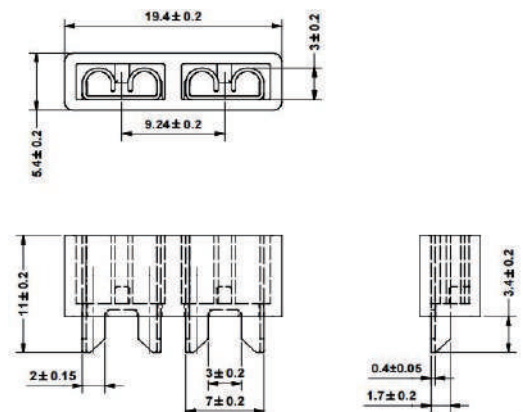
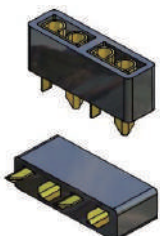
- *1.ELECTRICAL: RATED 80A MAX.
- *2.MATERIAL: BRASS WITHOUT PLATING OR WITH PLATING UPON CUSTOMER REQUEST
- *3.FINISH: TIN-PLATED OR NICKEL PLATED



PCB mount Fuse Clip for ATP Blade fuse

C001-028-0111

- *Electrical:Max. 30A
- *Material:Brass , Finish:Tin-plated
- *Contact Resistance:Max.50mΩ
- *Mechanical test:insertion & Extraction Force 2.0~5.0kgs.



Fuse Holder

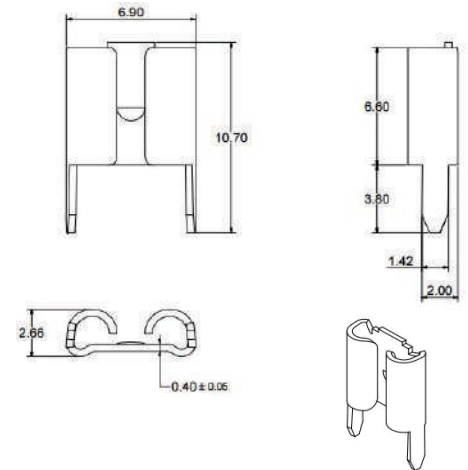
14



P.C.B mount Fuse Clip for ATP Blade fuse

C001-028-0112

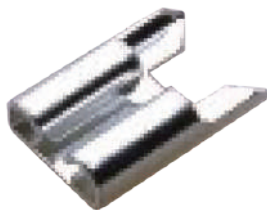
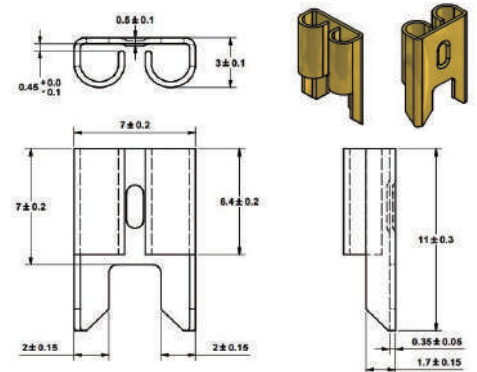
- *Electrical: Max. 30A 250V
- *Contact Resistance: Max. 50mΩ
- *Material: Brass, Tin-Plated.
- *Product Meet RoHS requirement.



PCB mount Fuse Clip for ATP Blade fuse

C001-028-0113

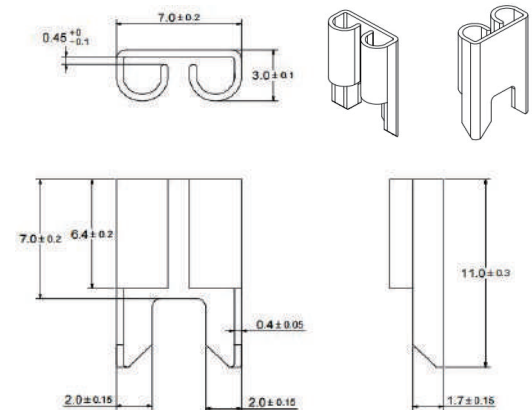
- *Electrical: Max. 20A
- *Material: Brass
- *Finish: Tin-plated or Nickel-plated
- * Mechanical test: insertion & Extraction Force 1.5~2.0 kgs.



PCB mount fuse clip for ATP blade fuse

C001-028-0114

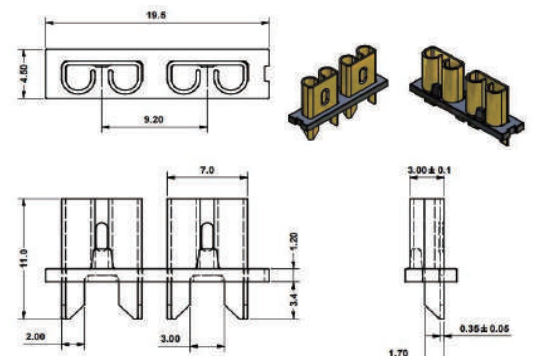
- *Electrical: Max. 30A
- *Material: Brass
- *Finish: Tin-plated
- *Thickness: 0.4mm



PCB mount Fuse Clip for ATP Blade fuse

C001-028-0115

- *Electrical: Max. 20A
- *Material: Brass
- *Finish: Tin-plated or Nickel-plated
- * Mechanical test: insertion & Extraction Force 2.7~5.4kgs.



Fuse Holder

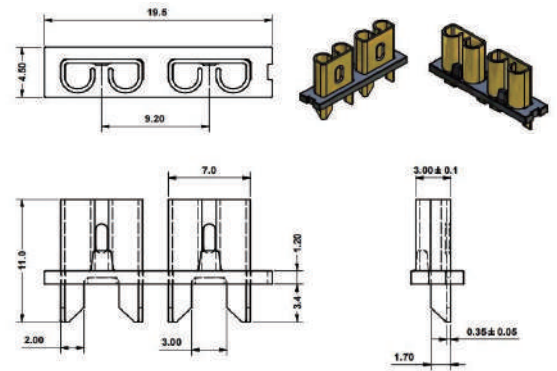
15



PCB mount Fuse Clip for ATP Blade fuse

C001-028-0115

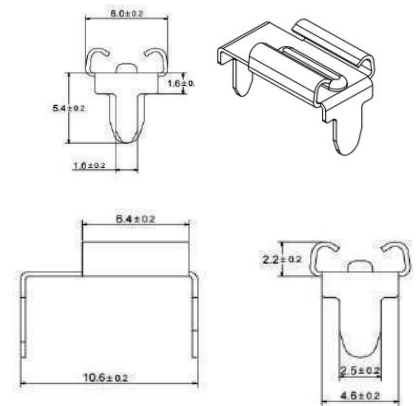
- *Electrical:Max.20A
- *Material:Brass
- *Finish: Tin-plated or Nickel-plated
- *Mechanical test:insertion & Extraction Force 2.7~5.4kgs.



FUSE CLIP P.C. BOARD TYPE FOR ATP BLADE FUSES

C001-028-0117

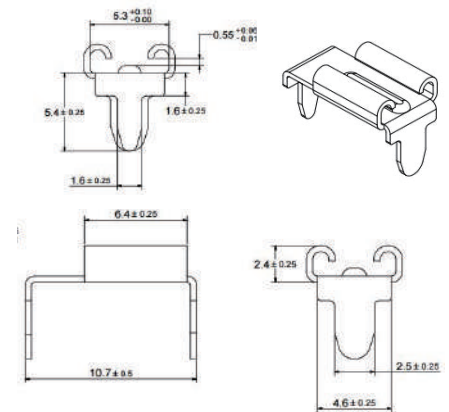
- *Electrical Rating:15A Max.
- *Material:Brass or Phosphor bronze, Thickness=0.3mm
- *Finish:Tin plated
- *Ear or earless type,with axial and direction tags



FUSE CLIP P.C. BOARD TYPE FOR ATP BLADE FUSES

C001-028-0118

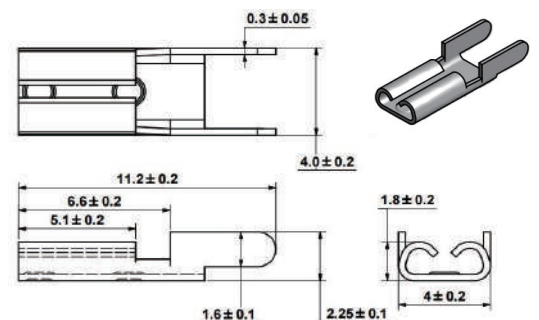
- *Electrical rating : 30A Max.
- *Material:Brass , Thickness=0.4mm
- *Finish:Bright tin-plated
- *Terminal clip extraction force : 3.2 ± 1 kg



FUSE CLIP P.C. BOARD TYPE FOR ASP BLADE FUSES

C001-028-0120

- *Electrical:Rating for currents up to 15A
- *Material:Phosphor bronze Thickness:0.3mm
- *Finish:Bright Tin plated
- *Insertion & Extraction Force=1kg. Min.



Fuse Holder

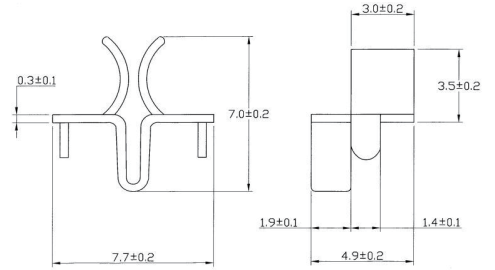
16



FUSE CLIP P.C.BOARD TYPE FOR ASP BLADE AUTO FUSES

C001-028-0121

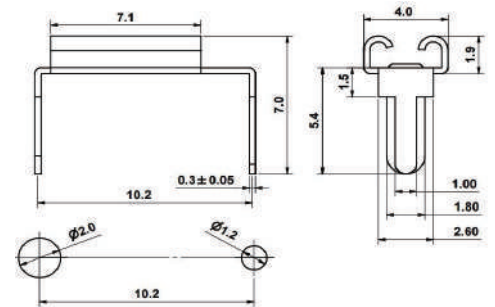
- *Electrical: Rating for currents up to 15A
- *Material: Phosphor bronze
Thickness: 0.3mm
- *Finish: Bright Tin plated
- *Insertion & Extraction Force = 1kg.Min.



FUSE CLIP P.C.BOARD TYPE FOR ASP BLADE AUTO FUSES

C001-028-0122

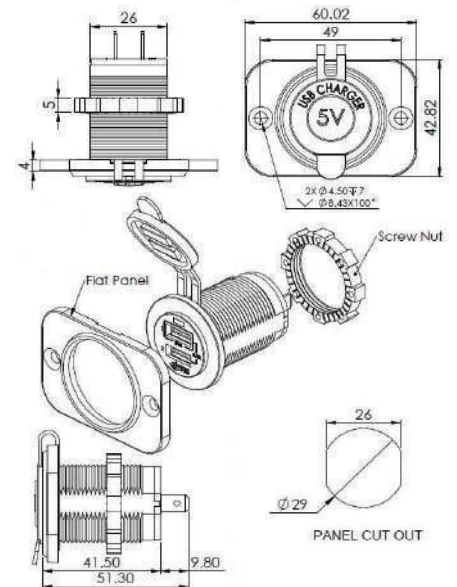
- *Electrical: Rating for currents up to 15A
- *Material: Phosphor bronze
Thickness: 0.3mm
- *Finish: Bright Tin plated
- *Insertion & Extraction Force = 1kg.Min.



Double Port USB Charger Socket

C001-028-0123

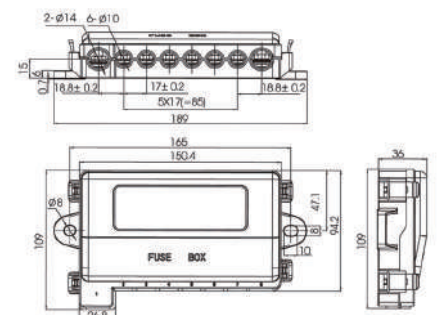
- *Input: DC 12-24V (Dual Voltage)
- *Output: DC 5V 3.4A
- *LED power indication
- *Short circuit / overheat protection
- *Water-resistant cove cap (IP66 when not in use)



FUSE HOLDER

C001-028-0124

- *VOLTAGE RATING: 32V
- *Application temperatures: -40°C to 125°C
- *Material - Nylon With Glass Fiber
- *Install one ANM Fuse, 1~7ANS fuses
- *fitting fuse-link is ANM Fuse 40A~200A , ANS Fuse 30A~150A



Fuse Holder

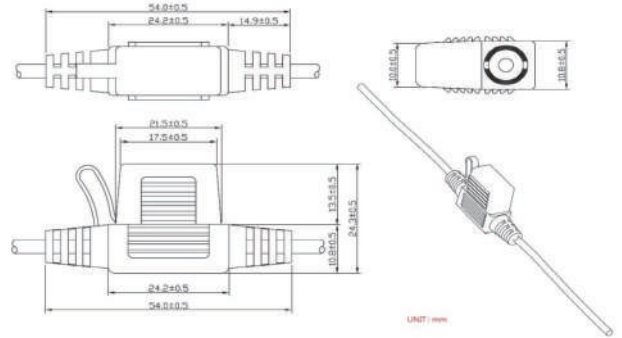
17



In-Line Fuse Holder FOR MINI FUSE HOLDER

C001-028-0125

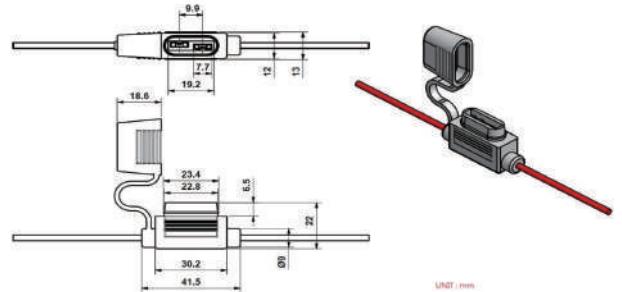
- *Applicable: for ASPmini fuse
- *Electrical: Max. 20A
- *Insulation Body: PVC
- *Terminal: Brass
- *Available wire gauge: UL 1015 14# AWG , G/6" inch Each End



In-Line Fuse Holder FOR ATP FUSE HOLDER

C001-028-0126

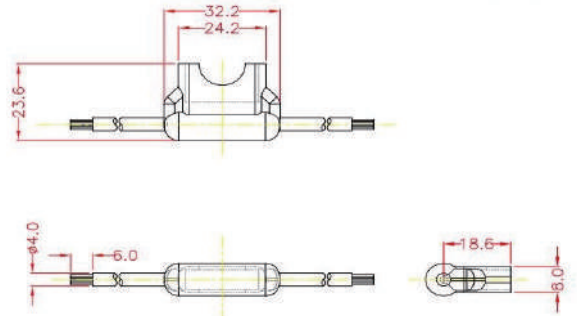
- *Electrical: 20A MAX.
- *Insulation Body: PVC
- *Terminal: Brass
- *Available wire gauge: UL 1015 16# AWG , G/6" inch Each End



In-Line Fuse Holder FOR ATP FUSE HOLDER

C001-028-0127

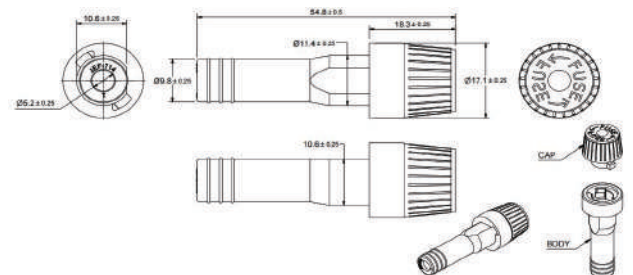
- *Electrical: 20A MAX.
- *Insulation Body: PVC
- *Terminal: Brass
- *Available wire gauge: UL 1015 16# AWG , G/6" inch Each End



FUSE HOLDER 6.35X32mm

C001-028-0128

- *Applicable : 6.35X32mm FUSE
- *Electrical : Rated for currents up to 20A
- *Cap: Nylon
- *Body: Bakelite , Wire Gauge: 14



Fuse Holder

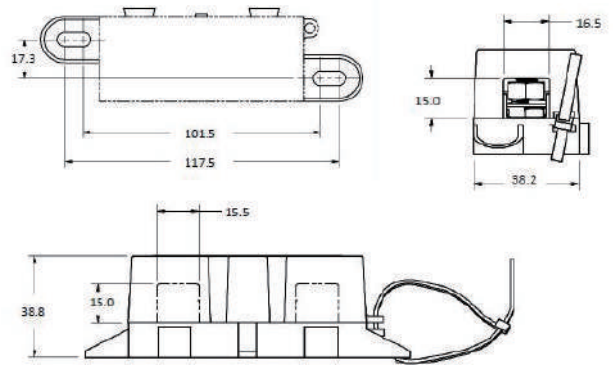
18



Mega Fuse Holder

C001-028-0130

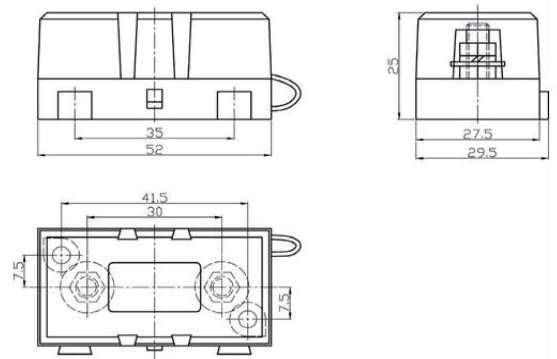
- *Voltage Rating: 32V DC
- *Rated current: 500A MAX
- *Body Material: Nylon
- *Install one ANM Fuse
- *Fixed stud: Ø8mm



Midi Fuse Holder

C001-028-0131

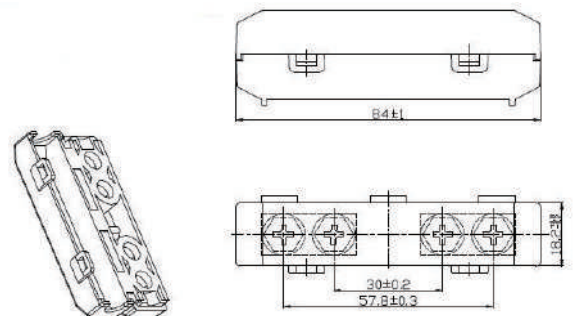
- *material: Contact:Steel 304 , body: PA 94-V0 , cover: PC 94-V0
- *removed burrs and sharp edge
- *For ANF , ANG , ANS fuse
- *Suitable rated current: 30-150A
- *RoHS COMPLIANT



Midi Fuse Holder

C001-028-0132

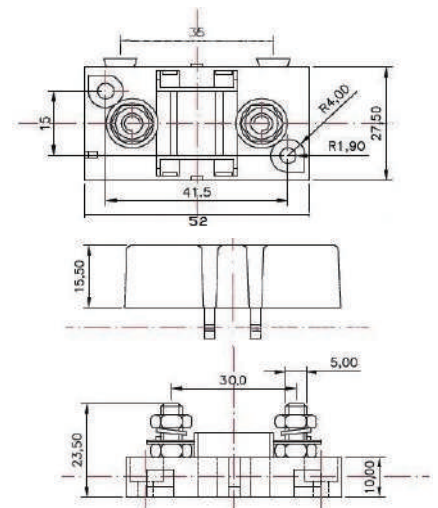
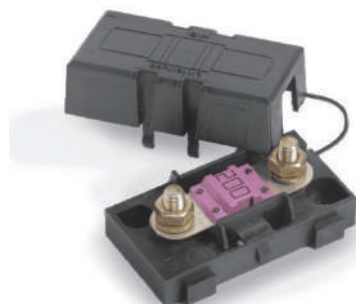
- *Insulating-----PA66
- *VOLTAGE RATING : 32 V
- *This product meets the ROHS standard
- *Application temperatures: -40 °C to 125°C
- *Applicable:For MIDI FUSE 30A ~ 120A



Midi Fuse Holder

C001-028-0133

- *Insulating-----PA66
- *VOLTAGE RATING : 32 V
- *This product meets the ROHS standard
- *Application temperatures: -40 °C to 80°C
- *Applicable:For MIDI FUSE 30A ~ 200A



Fuse Holder

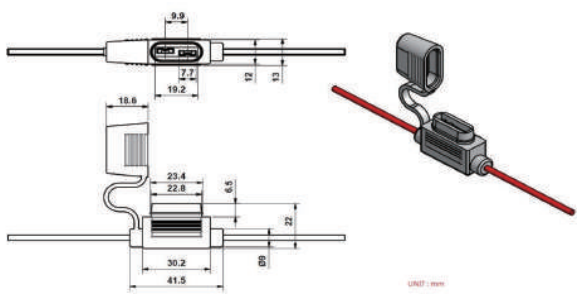


20

In-Line Fuse Holder FOR ATP FUSE HOLDER

C001-028-0147

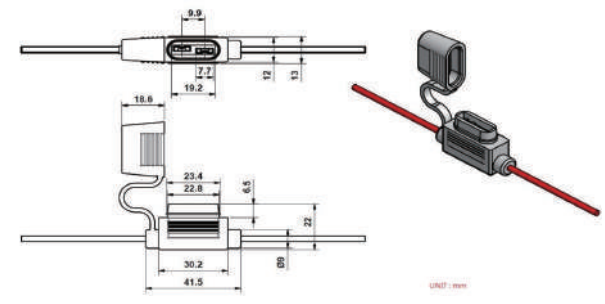
- *Electrical: 30A MAX.
- *Insulation Body: PVC
- *Terminal: Brass
- *Available wire gauge: UL 1015 12# AWG, 30 cm * 2 , 5 mm , tinning



In-Line Fuse Holder FOR ATP FUSE HOLDER

C001-028-0148

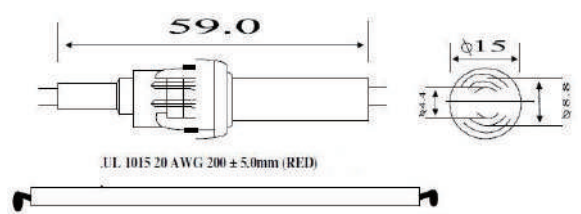
- *Electrical: 30A MAX.
- *Insulation Body: PVC
- *Terminal: Brass
- *Available wire gauge: UL 1015 10# AWG, 30 cm * 2 , 5 mm , tinning



INLINE FUSE HOLDER FOR GLASS FUSE

C001-028-0149

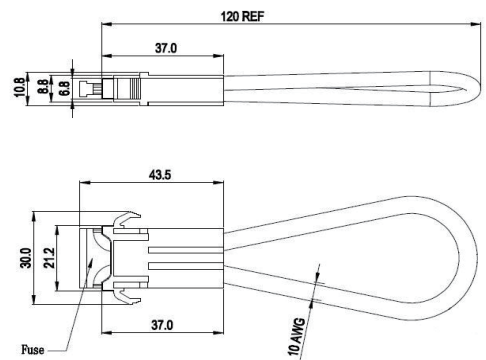
- *Supplied With 8" loop 20 gauge red
- *for use with glass Tub Fuse 1A to 5A
- *Wire Length: 8" loop
- *Avail to #18, #20



Panel mount fuse holder

C001-028-0150

- *Electrical:Rate for current up to 30A
- *Insulation housing:Thermoplastic plastics
- *Contact:Brass with Tin plated
- *Range of wire gauge:10 Awg



Fuse Holder

21



In-Line Fuse Holder FOR ATP FUSE HOLDER

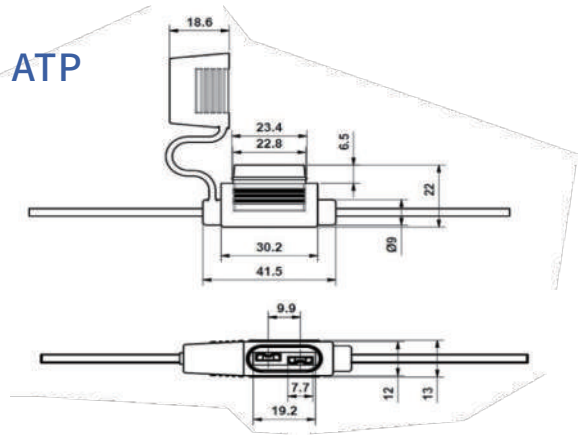
C001-028-0151

*Electrical: 32VDC 20A , 24VDC 30A

*Insulation Body: PVC , Color: Clear

*Terminal: Brass , RoHS Compliant

*Available wire gauge: UL 1015 12# AWG , G/6" inch Each End



Part Number	Wire Gauge	Maximum Load	Part Number	Wire Gauge	Maximum Load
C001-028-015110	UL 1015 10# AWG	40 Amps	C001-028-015116	UL 1015 16# AWG	10 Amps
C001-028-015112	UL 1015 12# AWG	30 Amps	C001-028-015118	UL 1015 18# AWG	5 Amps
C001-028-015114	UL 1015 14# AWG	20 Amps	C001-028-015120	UL 1015 20# AWG	3 Amps



In-Line Fuse Holder FOR ASP FUSE HOLDER

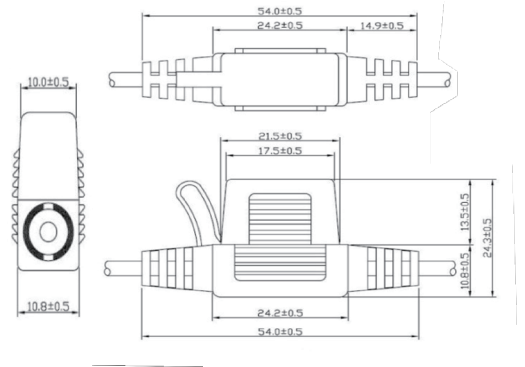
C001-028-0152

*Electrical: 32VDC 20A , 24VDC 30A

*Insulation Body: PVC , Color: Clear

*Terminal: Brass , RoHS Compliant

*Available wire gauge: UL 1015 12# AWG , G/6" inch Each End



Part Number	Wire Gauge	Maximum Load	Part Number	Wire Gauge	Maximum Load
C001-028-015212	UL 1015 12# AWG	30 Amps	C001-028-015218	UL 1015 18# AWG	5 Amps
C001-028-015214	UL 1015 14# AWG	20 Amps	C001-028-015220	UL 1015 20# AWG	3 Amps
C001-028-015216	UL 1015 16# AWG	10 Amps			



In-Line Fuse Holder FOR MAX FUSE HOLDER

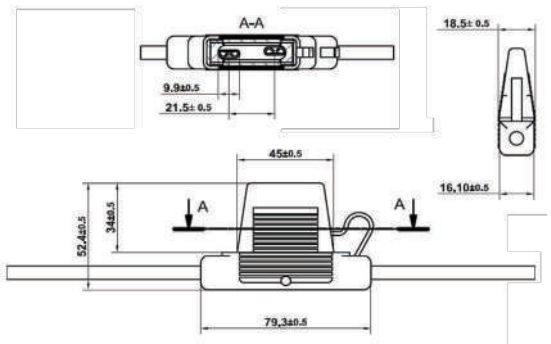
C001-028-0153

*Electrical: 32VDC 80A , 24VDC 100A

*Insulation Body: PVC , Color: Clear

*Terminal: Brass , RoHS Compliant

*Available wire gauge: UL 1015 6# AWG , G/6" inch Each End



Fuse Holder

22



Fuse Clip

C001-028-0155

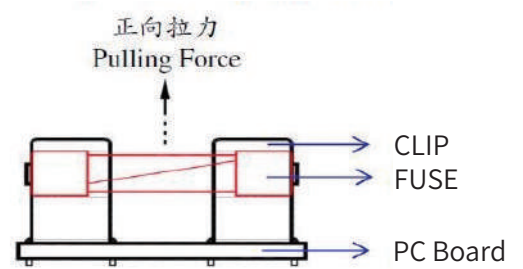
*Available Range : For 6.3mm diameter fuses clip

*Metal Material : Brass (C2680)

*Material Thickness (mm) : 0.5 ±0.03

*Suitable Rated Current : 25A

*Surface Treatment : Bright Tin Plated , Tin Plating Thickness : $\geq 2.5\mu\text{m}$



Fuse Holder

C001-028-0156

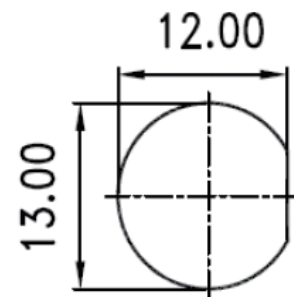
*Available Range : For 1/4''x1-1/4''(6.3x32 mm) fuse holder

*Material : 1 PMC : Phenolic Molding Compound , 2 Nickel or tin plated copper alloy

*Rated Current : 10A 250V , Insulation Resistance : 100M Min (at 500V DC)

*Contact Resistance : 5m (at 1A DC) , Dielectric Strength For 60 Seconds : AC 1500V Min

*Insulating Body : Flame retarding UL 94 V0 Thermoplastic Material



Fuse Holder

C001-028-0157

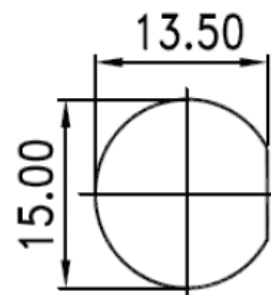
*Available Range : For 1/4''x1-1/4''(6.3x32 mm) fuse holder

*Material : 1 PMC : Phenolic Molding Compound , 2 Nickel or tin plated copper alloy

*Rated Current : 10A 250V , Insulation Resistance : 100M Min (at 500V DC)

*Contact Resistance : 5m (at 1A DC) , Dielectric Strength For 60 Seconds : AC 1500V Min

*Insulating Body : Flame retarding UL 94 V1 Thermoplastic Material



Fuse Holder

23



Fuse Holder

C001-028-0158

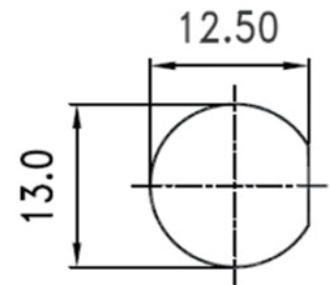
*Available Range : For (1/4" x 1-1/4")6.3x32mm fuse holder

*Material : 1 PBT : Polybutylene terephthalate , 2 Nickel or tin plated copper alloy

*Rated Current : 15A 250V , Insulation Resistance : 100M Min (at 500V DC)

*Contact Resistance : 5m (at 1A DC) , Dielectric Strength : AC 1500V Min (60 sec)

*Insulating Body : Flame retarding UL 94 V0 thermoplastic material



ATO ATC ATP WATER PROOF AUTO FUSE HOLDER

C001-028-0163

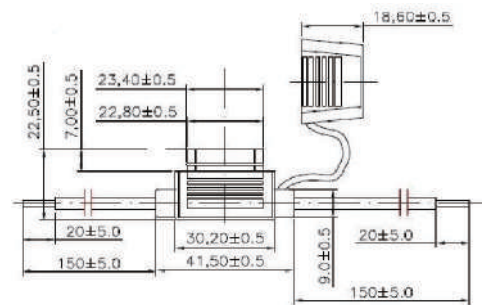
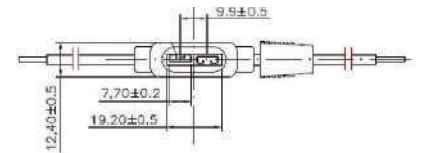
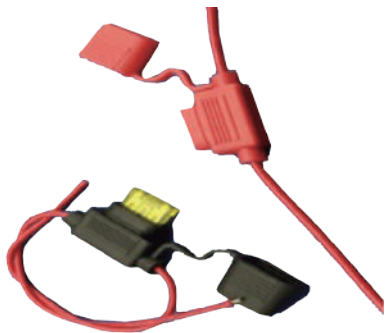
*Applicable: For ATO-N Fuse.

*Electrical: Rated for current up to 30A.

*Insulating body: PVC.

*Contact: Brass with Tin plated.

*Range of wire gauge #10-#22



MAX AMT WATER PROOF AUTO FUSE HOLDER

C001-028-0164

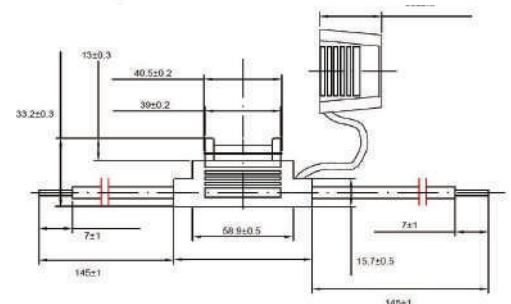
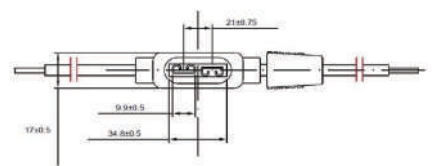
*MATERIAL : PVC

*TERMINAL : Copper with tin plated

*WIRE : UL 1015 8-14#AWG

*RATED CURRENT/VOLTAGE : 80A/80V

*APPLIANCE : AMT (MAX) AUTO FUSE



Fuse Holder

24



AGC Fuse Blocks

C001-028-0201

- *Base Material | ABS + Glass Fiber
- *Clip Material | Brass
- *Max Operating Voltage | DC 32V
- *Max Amp per circuit | 20A , Max Cumulative Amp | 60A
- *Screw Size | M5 x P0.8 x 6

Product Coding	
Product ID	Dimensions(H x W)
2P	57 x 31 mm
4P	57 x 62 mm
6P	57 x 93 mm
8P	57 x 126 mm
10P	57 x 157 mm
12P	57 x 188 mm



Nylon Base AGC Fuse Blocks

C001-028-0202

- *Base Material | Nylon, Glass Fiber reinforced
- *Clip Material | Brass
- *Max Operating Voltage | DC 32V
- *Max Amp per circuit | 20A , Max Cumulative Amp | 80A
- *Screw Size | NO.8-32 x 1/4

Product Coding	
Product ID	Dimensions(H x W)
4P	84 x 96 mm
6P	84 x 114 mm
8P	84 x 152 mm



Dual Bus Bars

C001-028-0204

- *Base Material | Nylon, Glass Fiber reinforced
- *Clip Material | Brass
- *Max Operating Voltage | DC 32V
- *Max Continuous Amp | 60A for each bus
- *Screw Size | NO.8-32 x 1/4

Product Coding	
Product ID	Dimensions(H x W)
4P	38 x 76 mm
6P	38 x 114 mm
8P	38 x 152 mm



Nylon Base AGC Fuse Blocks

C001-028-0205

- *Base Material | Nylon, Glass Fiber reinforced
- *Clip Material | Brass
- *Max Operating Voltage | DC 32V
- *Max Amp per circuit | 20A
- *Screw Size | NO.8-32 x 1/4

Product Coding	
Product ID	Dimensions(H x W)
4P	62 x 76 mm
6P	62 x 114 mm
8P	62 x 152 mm

Fuse Holder

25



Nylon Base AGC Fuse Blocks

C001-028-0206

- *Base Material | Nylon, Glass Fiber reinforced
- *Clip Material | Brass
- *Max Operating Voltage | DC 32V
- *Max Amp per circuit | 20A , Max Cumulative Amp | 50A
- *Screw Size | NO.8-32 x 1/4

Product Coding	
Product ID	Dimensions(H x W)
4P	62 x 76 mm
6P	62 x 114 mm
8P	62 x 152 mm

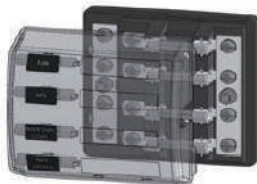


Large Current Bus Bar

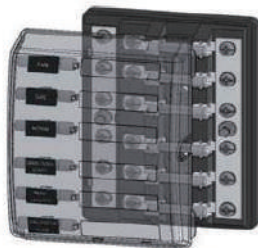
C001-028-0207

- *Base Material | PBT, Glass Fiber reinforced
- *Bus Material | Copper, Brass-plated
- *Max Operating Voltage | DC 48V , Max Continuous Amp | 150A
- *Screw Size | No. 8-32X1/4
- *Terminal Stud Size | M6 x 25mm

Product Coding	
Product ID	Dimensions(L x W)
10P	146 x 31.5 mm



C001-028-0210-4

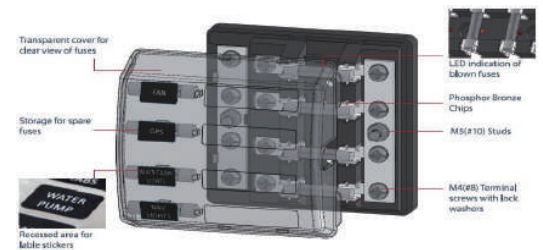


C001-028-0210-6

AGC Fuse Blocks Series

C001-028-0210

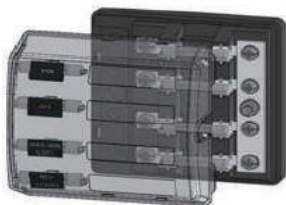
- *Base Material | PBT, glass fiber reinforced
- *Clip Material | Phosphor Bronze
- *Max Operating Voltage | 32V
- *Max Continuous Amp | 100A per block
- *Terminal Stud Size | M5 (3/16") , Screw Size | M4 (5/32")



Product ID	Circuits	Positive Source	Negative Bus Bar	Product Dimensions
C001-028-0210-4	4	Common Source	4 Circuits	91 x 91 mm
C001-028-0210-6	6	Common Source	6 Circuits	129 x 91 mm

Fuse Holder

26



C001-028-0211-4



C001-028-0211-6

AGC Fuse Blocks Series

C001-028-0211

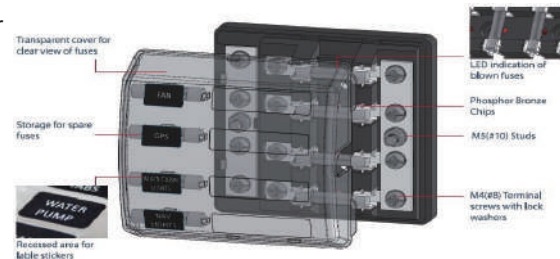
* Base Material | PBT, glass fiber reinforced

* Clip Material | Phosphor Bronze

* Max Operating Voltage | 32V

* Max Continuous Amp | 100A per block

* Terminal Stud Size | M5 (3/16") ,
Screw Size | M4 (5/32")



Product ID	Circuits	Positive Source	Negative Bus Bar	Product Dimensions
C001-028-0211-4	4	Common Source	-	91 x 91 mm
C001-028-0211-6	6	Common Source	-	129 x 91 mm

AGC Fuse Blocks Series

C001-028-0212

* Base Material | PBT, glass fiber reinforced

* Clip Material | Phosphor Bronze

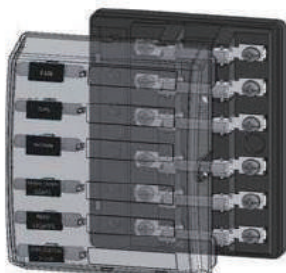
* Max Operating Voltage | 32V

* Max Continuous Amp | 100A per block

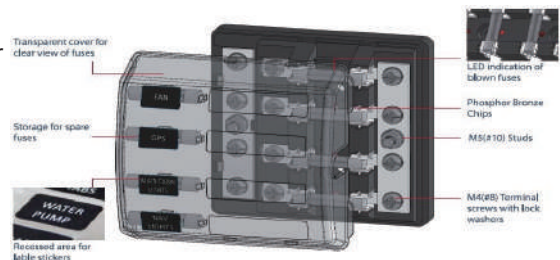
* Terminal Stud Size | M5 (3/16") ,
Screw Size | M4 (5/32")



C001-028-0212-4



C001-028-0212-6



Product ID	Circuits	Positive Source	Negative Bus Bar	Product Dimensions
C001-028-0212-4	4	Independent Source	-	91 x 91 mm
C001-028-0212-6	6	Independent Source	-	129 x 91 mm

Modular Design Blade (ATP/ATO/ATC) Fuse Blocks

C001-028-0212

* Voltage Rating | DC 32V Max

* Amp Rating per Branch | 30A (Screw Terminals)/ 20A (Quick Terminals)

* Max Cumulative Amp | 100A per block

* Terminal Stud Size | M5 (3/16")

* Screw Size | M4 (5/32") (C001-028-027x Only)



Fuse Holder

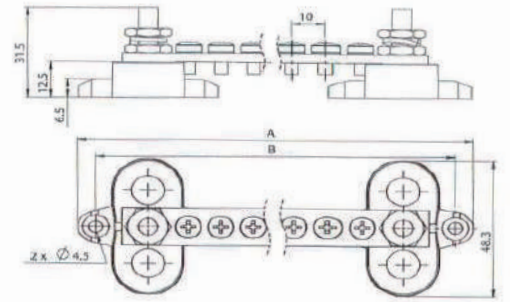
27



Heavy-Duty Single Bus Bars

C001-028-0421

- *Base Material | Nylon, Glass Fiber reinforced
- *Bus Material | Brass, Nickel plated
- *Max Operating Voltage | DC 48V
- *Max Continuous Amp | 100A
- *Terminal Stud Size | M6 (1/4")

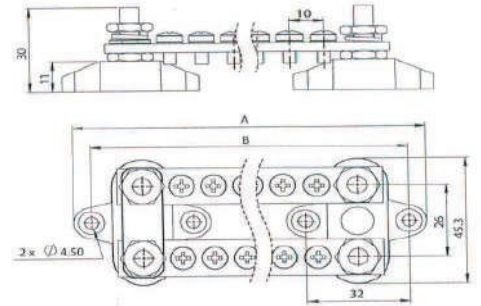


Product ID	Screws	A.Length(mm)	B.Mounting Centers(mm)
C001-028-0421-6P	6 x M4(5/32")	118	107
C001-028-0421-12P	12 x M4(5/32")	178	167

Heavy-Duty Dual Bus Bars

C001-028-0422

- *Base Material | Nylon, Glass Fiber reinforced
- *Bus Material | Brass, Nickel plated
- *Max Operating Voltage | DC 48V
- *Max Continuous Amp | 100A
- *Terminal Stud Size | M6 (1/4")

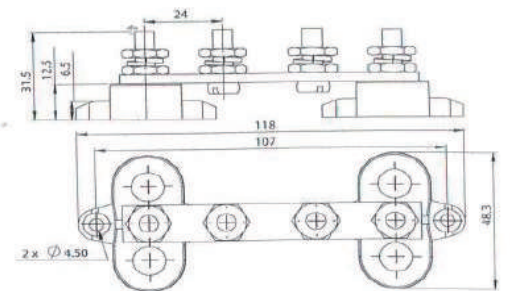


Product ID	Screws	A.Length(mm)	B.Mounting Centers(mm)
C001-028-0422-6P	2 x 6 x M4(5/32")	118	107
C001-028-0422-12P	2 x 12 x M4(5/32")	178	167

Heavy-Duty Single Bus Bars

C001-028-0423

- *Base Material | Nylon, Glass Fiber reinforced
- *Bus Material | Brass, Nickel plated
- *Max Operating Voltage | DC 48V
- *Max Continuous Amp | 100A
- *Terminal Stud Size | M6 (1/4")



Product ID	Screws	Dimensions(L x W)
C001-028-0423-4P	6 x M4(1/4")	118 x 48mm
C001-028-0422-12P	2 x 12 x M4(5/32")	178

Fuse Holder

28



Heavy-duty Modular Design ANL Fuse Box

C001-028-0431

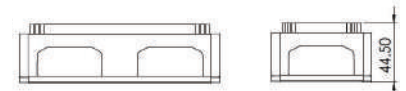
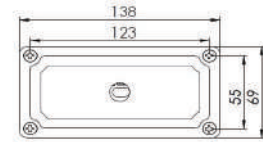
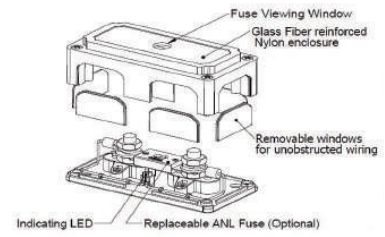
*Base&Cover Material: Nylon, Glass Fiber reinforced

*Max Operating Voltage: DC 32V

*Max Continuous Amp: Determined by wire connected and fuse used

*Terminal Stud Size: 2 x M10 (3/8")

*Dimensions(L X W X H): 138 X 69 X44.5 mm



Heavy Duty ANL Fuse Box with Additional Cable Connection Studs

C001-028-0431S

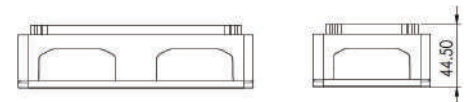
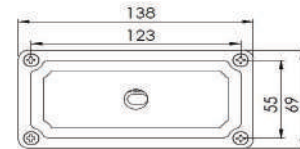
*Bus Materia | Oxygen-free Copper, Nickel plated

*Max Operating Voltage | DC 32V

*Max Continuous Amp | 35-750A (determined by fuse)

*Terminal Stud Size | 4 x M10 (3/8")

*Dimensions (L x W x H) | 138 x 69 x 44.5mm



Heavy-Duty Module Design Bus Bar Box with 4 Terminal Studs

C001-028-0432

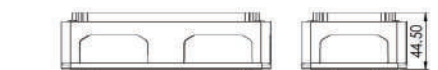
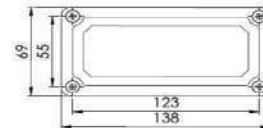
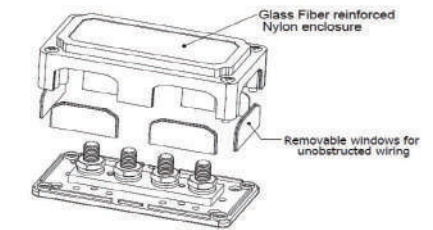
*Base & Cover Material | Nylon, Glass Fiber reinforced

*Max Operating Voltage | DC 48V

*Max Continuous Amp | 300A

*Terminal Stud Size | 4 x M10 (3/8") (BF432) / 4x M8 (5/16") (BF432-M8)

*Dimensions (L x W x H) | 138 x 69 x 44.5mm



Fuse Holder

29



Heavy-Duty Module Design Bus Bar Box

C001-028-0433

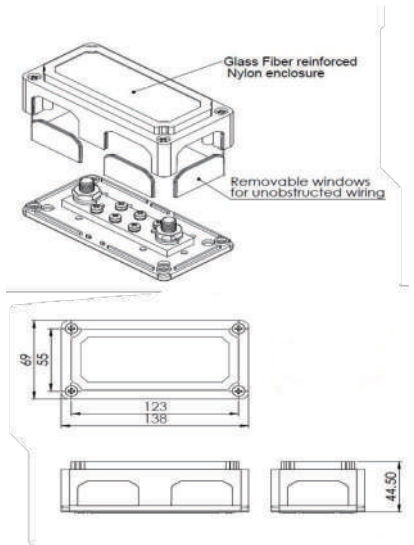
*Base & Cover Material | Nylon, Glass Fiber reinforced

*Max Operating Voltage | DC 48V , Max Continuous Amp | 300A

*Terminal Stud Size | 2 x M10 (3/8")

*Screw Size | 6 x M5 (3/16")

*Dimensions (L x W x H) | 138 x 69 x 44.5mm



Heavy-Duty Modular Design Dual Bus Bars with Connecting Link

C001-028-0434

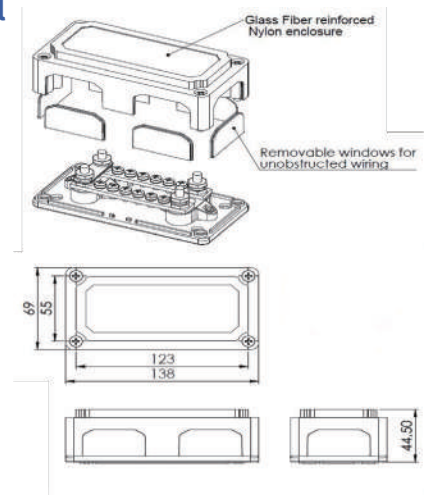
*Base & Cover Material | Nylon, Glass Fiber reinforced

*Max Operating Voltage | DC 48V , Max Continuous Amp | 100A

*Terminal Stud Size | 4 x M6 (1/4")

*Screw Size | 12 x M4 (5/32")

*Dimensions (L x W x H) | 138 x 69 x 44.5mm



Heavy-Duty Modular Design Terminal Studs with Insulation Partition

C001-028-0435

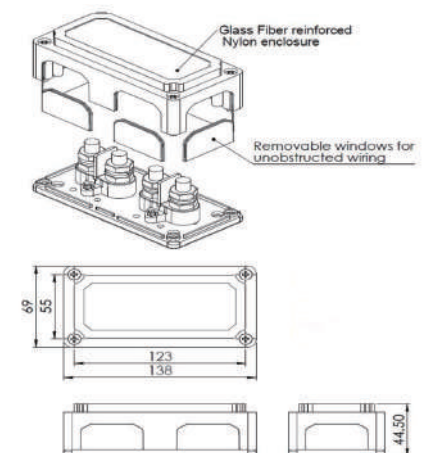
*Base & Cover Material | Nylon, Glass Fiber reinforced

*Max Operating Voltage | DC 48V

*Max Amp per circuit | Determined by wires connected

*Terminal Stud Size | 4 x M10 (3/8")

*Dimensions (L x W x H) | 138 x 69 x 44.5mm



Fuse Holder

29



Heavy-Duty Modular Design Dual Maxi Blade Fuse Holder Box

C001-028-0433

*Base & Cover Material | Nylon, Glass Fiber reinforced

*Max Operating Voltage | DC 48V

*Max Amp per circuit | Determined by fuses connected (30-80A)

*Screw Size | 4 x M5 (3/16")

*Dimensions (L x W x H) | 138 x 69 x 44.5mm

