

# PHOTO-TOP TECHNOLOGIES CO.,LTD.

# AUTOMOTIVE FUSE

## 2023 PRODUCT LIST



PHOTO-TOP TECHNOLOGIES CO., LTD.  
NO.57.LANE 458,SEC 4,ZHONGHUA RD, XIANGSHAN DIST.  
HSINCHU CITY 30060, TAIWAN , R.O.C  
TEL: +886 3 5396811 FAX: +886 3 5381793  
WWW.PHOTO-TOP.COM.TW



website



Amazon



Taiwantrade



Facebook



**Photo - Top  
Technologies Co.,Ltd.**



Photo-Top Technologies is a company specializing in all kinds of auto parts and high-quality products. It can be provided the Top products and the professional technologies to achieve the achievements of customers

Photo-Top Technologies to be established in 2001, it is focus on creating and developing all kinds of auto parts accessories and power protection device .

After the hard working many years , It provide the high-quality products in the automotive industry and got the confidence / responsibility from the customers.

We believe that the core value of our company is to solve and satisfy the customer's issues and request.

Photo-Top Technologies can provide you with the service goals of product diversification, market segmentation and a small amount of variety, providing customers with one-stop shopping services, reducing procurement search costs, and also providing customers with

## Table of Contents

Brand Story .....	1	Blade Fuse Puller & Tester with LED .....	10
Product Description .....	3	AUTO FUSE PULLER .....	11
Application Of Fuse .....	4	MINI FUSE PULLER .....	11
Features of Fuse .....	5	ATL Fuse Link .....	11
Strip Fuse-square .....	5	ATP Fuse Link .....	11
Strip Fuse-round .....	5	ATH-A2 Fuse Link .....	12
Bolt on Fuse- Midi Fuse .....	5	ATF Fuse Link .....	12
Bolt on Fuse-Mega Fuse .....	6	ATE (J series) Fuse Link .....	12
MICRO II BLADE .....	6	LP TYPE Fuse Link .....	13
Battery Fuse .....	7	ATI Fuse Link .....	13
Ceramic Fuses .....	7	ATIS Fuse Link .....	13
Glass fuse 5.2x20mm .....	8	ATK-B1 Fuse Link .....	14
Glass fuse 6.3x32mm .....	8	AML FUSE .....	14
ANL FUSE .....	9	ATK-B1(O) Fuse Link .....	15
AFS FUSE .....	10	M-TYPE Fuse Link .....	15
Mini Fuse Puller & Tester with LED .....	10	MICRO3 BLADE FUSE .....	15

Fuse Links Mini Female Type .....	16
ATP 80V BLADE FUSE .....	17
MAX 80V BLADE FUSE .....	17
ATP LED FUSE .....	18
ASP LED FUSE .....	18
AMP LED FUSE .....	19
ATP FUSE .....	19
ASP BLADE FUSE .....	20
AMP FUSE .....	20
LOW PROFILE MINI FUSE .....	21
LOW PROFILE LED MINI FUSE .....	21

# Product Description

## Circuit Breakers



**Overload protection:** Circuit breakers are designed to automatically interrupt an electrical circuit when they detect an overload, protecting against electrical hazards and damage to equipment.

**Short-circuit protection:** Circuit breakers also protect against short-circuits by automatically interrupting the flow of electricity when they detect a fault in the circuit.

**Resettable:** Most circuit breakers can be easily reset after they trip, allowing for quick and convenient restoration of power.

## Automotive fuse



Fuses come in different shapes, sizes, and amperage ratings to match the specific needs of the electrical system in a car.

They are typically made of a metal wire or filament that melts when too much current flows through it, interrupting the flow of electricity and preventing damage to the vehicle's electrical components.

## Fuse Holder



Fuse holders come in different types, including blade fuse holders, mini fuse holders, and maxi fuse holders, to match the different sizes and types of fuses used in a vehicle.

They are typically made of a durable, heat-resistant material such as plastic or metal and are designed to securely hold the fuse in place, while providing easy access for maintenance and replacement.

## Battery Terminals



Battery terminals come in two main types: positive and negative. The positive terminal is usually marked with a "+" symbol, while the negative terminal is marked with a "-" symbol. Both terminals are usually made of brass or other conductive materials and are designed to fit snugly onto the battery posts.

Battery terminals may also include a terminal cover, which is a protective cover that fits over the terminals to prevent accidental contact and provide additional protection from environmental factors such as moisture, dirt, and corrosion.

## Battery Connector



Battery connectors come in different types, including clamp connectors, eyelet connectors, and plug-and-socket connectors.

Clamp connectors, also known as battery clamps, are the most common type of battery connector and are used to secure the battery cable to the battery post. They consist of a metal clamp that fits over the battery post and a screw or bolt that tightens down to secure the cable in place.

## Relay



Relays are used in cars because they allow the control of high-power circuits with a low-power signal, typically from a switch or control module.

This helps to reduce the size and weight of the wiring and switches in a vehicle, and also helps to protect the electrical system by isolating the high-power circuit from the control circuit.

## Battery Accessories



Car battery accessories are a group of components and devices that are used to support the operation and maintenance of a car's battery.

These accessories are designed to enhance the performance, efficiency, and longevity of the battery, as well as to provide safety and protection for both the battery and the vehicle.

PHOTO-TOP TECHNOLOGIES CO., Ltd.  
Make your driving more comfortable

Product Catalog

Click here to download the catalog

Show our product

# Application Of Fuse

Fuses are used in a variety of electrical and electronic applications. Some common applications include:

**Household electrical systems:** Fuses are often used in residential electrical panels to protect individual circuits.

**Automotive electrical systems:** Automobiles use fuses to protect electrical components, such as lights and the alternator, from damage due to electrical overloads.

**Industrial electrical systems:** Fuses are commonly used in industrial settings to protect electrical equipment and machinery from damage due to power surges or electrical malfunctions.

**Electronic devices:** Fuses are also used in a variety of electronic devices, such as televisions, computers, and other consumer electronics, to protect sensitive components from damage due to power surges or electrical malfunctions.

**Power distribution systems:** Fuses are used in power distribution systems, such as electrical substations, to protect electrical equipment and prevent electrical hazards.



## Features of Fuse

### Overload protection:

The primary function of a fuse is to protect the electrical system from damage due to an electrical overload. If the current flowing through the circuit exceeds a certain level, the fuse will "blow," or break the circuit, preventing further damage to the system.

### Interrupting capacity:

Fuses are designed to safely interrupt the flow of current in the event of an electrical overload. This is an important safety feature, as it prevents the buildup of energy that can cause electrical fires.

### Current rating:

Fuses are rated for a specific maximum current, which determines the level at which the fuse will blow. This rating is an important factor in selecting the appropriate fuse for a particular application.

### Physical size:

Fuses come in a variety of physical sizes to accommodate different types of electrical systems. This includes different lengths, diameters, and shapes, as well as different types of terminals and mounting configurations.

### Time delay:

Some fuses are designed with a time delay, which allows for short-term increases in current that are not harmful to the system. This helps to prevent false tripping of the fuse, which can occur if a temporary increase in current is mistaken for an electrical overload.

### Material:

Fuses can be made from a variety of materials, including metal, ceramic, and plastic. The choice of material can impact the fuse's performance and durability, and may also affect the fuse's resistance to temperature, vibration, and other environmental factors.

# Fuse

1



## Strip Fuse-square

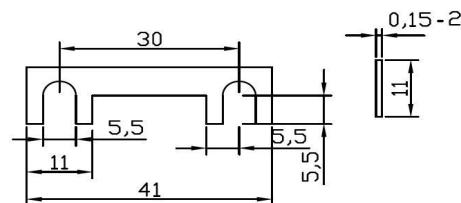
**C001-075-0101**

\*Voltage Rating: DC32V or less

\*Materials: Zinc Alloy

\*Operating Temperature -40 ° C to +125° C

\*Electrical Characteristics: Standard according to QC/T 420



Part Number	Ampere(A)	Voltage(VDC)	Type	Part Number	Ampere(A)	Voltage(VDC)	Type
C001-075-0101	30A	32V	Flat type fuses	C001-075-0105	80A	32V	Flat type fuses
C001-075-0102	40A	32V	Flat type fuses	C001-075-0106	110A	32V	Flat type fuses
C001-075-0103	50A	32V	Flat type fuses	C001-075-0107	150A	32V	Flat type fuses
C001-075-0104	60A	32V	Flat type fuses	C001-075-0108	175A	32V	Flat type fuses

## Strip Fuse-round

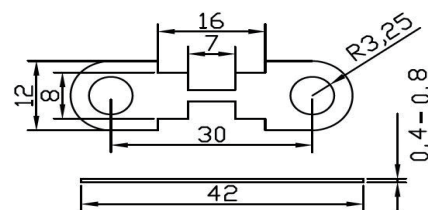
**C001-076-0101**

\*Voltage Rating: DC32V or less

\*Materials: Zinc Alloy

\*Operating Temperature -40 ° C to +125° C

\*Electrical Characteristics: Standard according to QC/T 420



Part Number	Ampere(A)	Voltage(VDC)	Type	Part Number	Ampere(A)	Voltage(VDC)	Type
C001-076-0101	30A	32V	Flat type fuses	C001-076-0105	80A	32V	Flat type fuses
C001-076-0102	40A	32V	Flat type fuses	C001-076-0106	110A	32V	Flat type fuses
C001-076-0103	50A	32V	Flat type fuses	C001-076-0107	150A	32V	Flat type fuses
C001-076-0104	60A	32V	Flat type fuses	C001-076-0108	175A	32V	Flat type fuses

## Bolt on Fuse- Midi Fuse

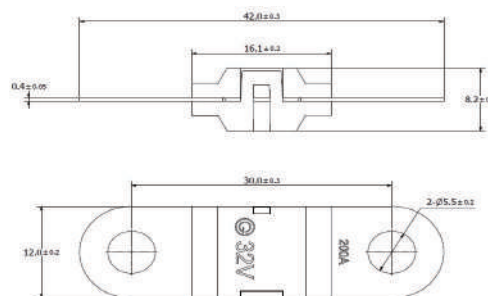
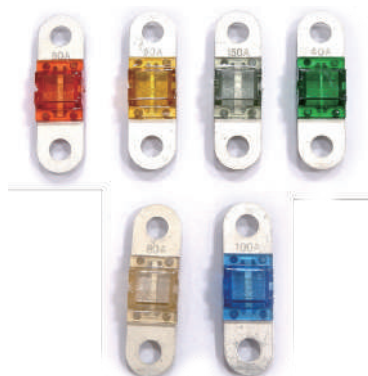
**C001-078-0101**

\*Interrupting Ratings: 1000Amp at 32V DC

\*Ambient temperature:-40~125 ° C

\*Fuse Mounting: M5 Threaded Stud And Hex Nuts

\*Fuse-link: Alloy material,Tin plated  
\*Body: Thermoplastic



Part Number	Ampere(A)	Voltage(VDC)	Color Code	Part Number	Ampere(A)	Voltage(VDC)	Color Code
C001-078-0101	30A	32V	Orange	C001-078-0106	80A	32V	Clear
C001-078-0102	40A	32V	Green	C001-078-0107	100A	32V	Blue
C001-078-0103	50A	32V	Red	C001-078-0108	125A	32V	Pink
C001-078-0104	60A	32V	Yellow	C001-078-0109	150A	32V	Gray
C001-078-0105	70A	32V	Brown	C001-078-0110	200A	32V	Violet

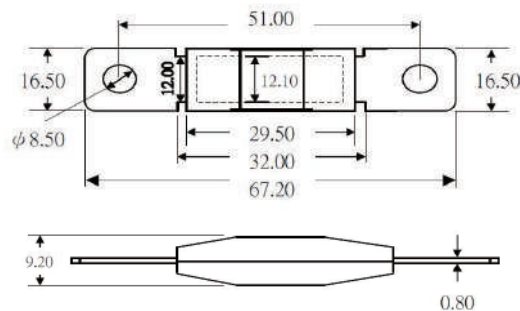
# Fuse

2

## Bolt on Fuse-Mega Fuse

**C001-079-0101**

- \*Insulation Resistance
- \*Voltage Rating : 32V DC
- \*Temperature Rise : - 40°C +125°C
- \*Material quality : PSU 、Copper alloy 、Tin-plating 、PBT+Filament

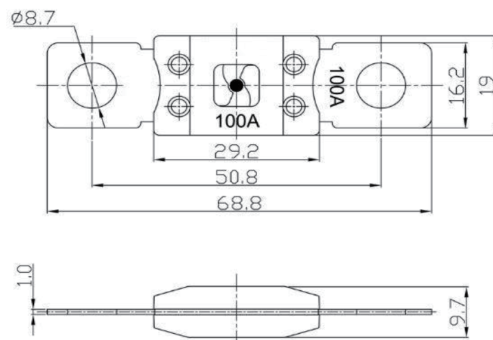


Part Number	Ampere(A)	Voltage(VDC)	Color Code	Part Number	Ampere(A)	Voltage(VDC)	Color Code
C001-079-0101	100A	32V	Yellow	C001-079-0105	200A	32V	Blue
C001-079-0102	125A	32V	Green	C001-079-0106	225A	32V	Tam
C001-079-0103	150A	32V	Orange	C001-079-0107	250A	32V	Pink
C001-079-0104	175A	32V	Clear	C001-079-0108	300A	32V	Grey

## Bolt on Fuse-Mega Fuse

**C001-079-0201**

- \*Voltage Rating : DC32V or less
- \*Interrupting Rating: 2000A @32VDC
- \*Operating Temperature Range: -40oC to +125oC
- \*Materials:Copper Alloy / Zinc Alloy , Nylon With Glass Fiber

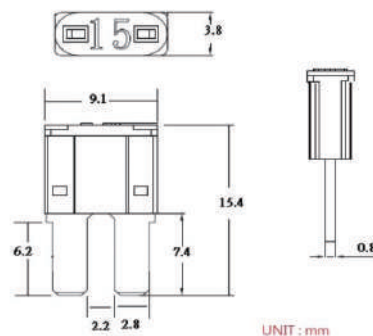


Item No	Ampere	Item No	Ampere	Item No	Ampere
C001-079-0201	40A	C001-079-0206	100A	C001-079-0301	225A
C001-079-0202	50A	C001-079-0207	125A	C001-079-0302	250A
C001-079-0203	60A	C001-079-0208	150A	C001-079-0303	300A
C001-079-0204	70A	C001-079-0209	175A		
C001-079-0205	80A	C001-079-0300	200A		

## MICRO II BLADE

**P004-016-0003**

- \*Fast Acting, Low Voltage For UP To 32V DC.
- \*Operating Temperature Range: -40°C to +125°C
- \*Metal : Zine Alloy Strip.
- \*Body : PA66.



Part Number	Ampere(A)	Voltage(VDC)	Color Code	Part Number	Ampere(A)	Voltage(VDC)	Color Code
P004-016-0003	5A	32V	Tan	P004-016-0007	20A	32V	Yellow
P004-016-0004	7.5A	32V	Brown	P004-016-0008	25A	32V	Natural
P004-016-0005	10A	32V	Red	P004-016-0009	30A	32V	Green
P004-016-0006	15A	32V	Blue				

# Fuse

3



## Battery Fuse

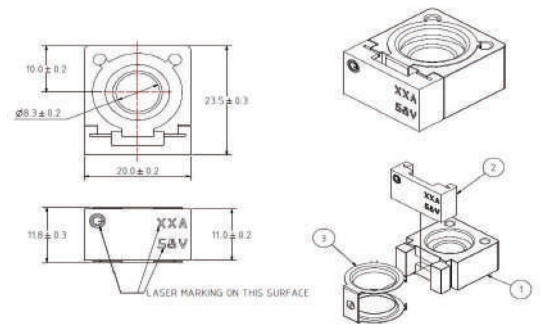
**P004-017-0001**

\*Insulating Body: Out of ceramic

\*Cover: Out of thermoplast (UL 94-V0, heat resistant) Visible melting -element

\*Interrupting Rating: 2,000A @58 VDC

\*Complies with: ISO 8820-6 DIN 72581-5  
UL 248 Special Purpose Fuses



Part Number	Ampere(A)	Voltage(VDC)	Part Number	Ampere(A)	Voltage(VDC)
P001-017-0001	30A	58V	P001-017-0008	125A	58V
P001-017-0002	40A	58V	P001-017-0009	150A	58V
P001-017-0003	50A	58V	P001-017-0010	175A	58V
P001-017-0004	60A	58V	P001-017-0011	200A	58V
P001-017-0005	75A	58V	P001-017-0012	225A	58V
P001-017-0006	80A	58V	P001-017-0013	250A	58V
P001-017-0007	100A	58V	P001-017-0014	300A	58V

## Ceramic Fuses

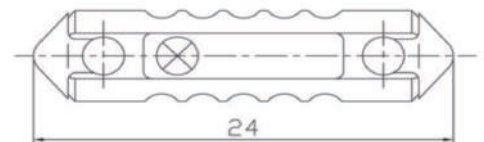
**P004-019-0001**

\*Voltage Rating : DC32V or less

\*Complies with DIN 72581 (DIN 72581/1)

\*Materials : 1. Zinc Alloy 2. Bakelite (or Ceramic)

\*Size : 6 x 24 mm



Part Number	Ampere(A)	Voltage(VDC)	Color Code
P004-019-0001	5A	32V	Yellow
P004-019-0002	8A	32V	White
P004-019-0003	16A	32V	Red
P004-019-0004	20A	32V	Ivory
P004-019-0005	25A	32V	Blue
P004-019-0006	30A	32V	Green



# Fuse

4

## Glass fuse 5.2x20mm

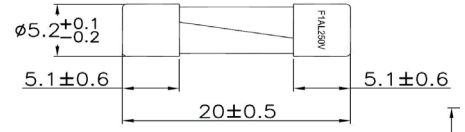
**P004-020-0001**

\*5.2×20mm fast-acting glass body cartridge fuse designed to UL specification.

\*Designed to UL/CSA/ANCE 248 Standard

\*Available in cartridge and axial lead format

\*RoHS compliant and lead-free



Part Number	Ampere(A)	Voltage(VDC)	Part Number	Ampere(A)	Voltage(VDC)
P004-020-0001	0.5A	250V	P004-020-0007	6A	250V
P004-020-0002	1A	250V	P004-020-0008	8A	250V
P004-020-0003	2A	250V	P004-020-0009	10A	250V
P004-020-0004	3A	250V	P004-020-0010	15A	250V
P004-020-0005	4A	250V	P004-020-0011	20A	250V
P004-020-0006	5A	250V			

## Glass fuse 6.3x32mm

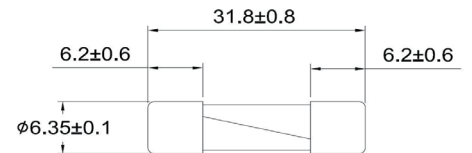
**P004-020-0013**

\*6.3×32mm fast-acting glass body cartridge fuse designed to UL specification.

\*Designed to UL/CSA/ANCE 248 Standard

\*Available in cartridge and axial lead format

\*RoHS compliant and lead-free



Part Number	Ampere(A)	Voltage(VDC)	Part Number	Ampere(A)	Voltage(VDC)
P004-020-0013	1A	125V	P004-020-0021	12A	32V
P004-020-0014	2A	125V	P004-020-0022	13A	32V
P004-020-0015	3A	125V	P004-020-0023	15A	32V
P004-020-0016	4A	125V	P004-020-0024	16A	32V
P004-020-0017	5A	125V	P004-020-0025	20A	32V
P004-020-0018	6A	125V	P004-020-0026	25A	32V
P004-020-0019	8A	125V	P004-020-0027	30A	32V
P004-020-0020	10A	125V			

# Fuse

5



## ANL FUSE

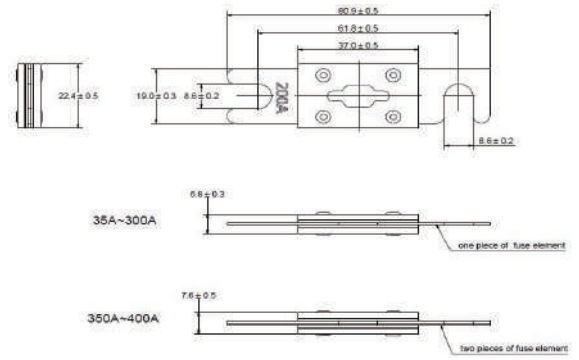
**P004-022-0001**

\*Interrupting ratings: 1000Amp at 32V DC

\*Insulating body: FR 4

\*Strip: Brass / Copper Alloy (Thickness : 0.8mm)

\*Finishing: Gold-plated or Nickel-plated



Part Number	Ampere(A)	Voltage(VDC)	Part Number	Ampere(A)	Voltage(VDC)
P004-022-0001	35A	32V	P004-022-0011	175A	32V
P004-022-0002	40A	32V	P004-022-0012	180A	32V
P004-022-0003	50A	32V	P004-022-0013	200A	32V
P004-022-0004	60A	32V	P004-022-0014	225A	32V
P004-022-0005	70A	32V	P004-022-0015	250A	32V
P004-022-0006	80A	32V	P004-022-0016	275A	32V
P004-022-0007	100A	32V	P004-022-0017	300A	32V
P004-022-0008	125A	32V	P004-022-0018	350A	32V
P004-022-0009	130A	32V	P004-022-0019	400A	32V
P004-022-0010	150A	32V			

## ANL FUSE

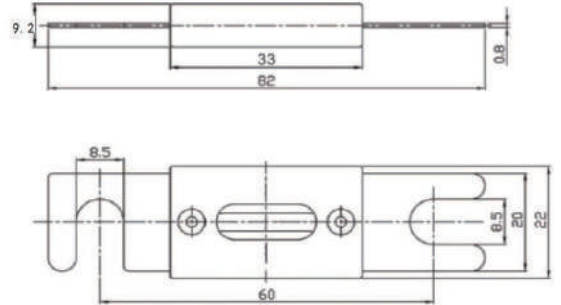
**P004-022-0101**

\*Rated current: 40A-500A

\*Rated voltage: 32V/48V/72V/125V

\*Material: Bakelite+Copper

\*Color: black



Part Number	Ampere(A)	Voltage(VDC)	Part Number	Ampere(A)	Voltage(VDC)
P004-022-0101	40A	32V/48V/72V/125V	P004-022-0108	200A	32V/48V/72V/125V
P004-022-0102	60A	32V/48V/72V/125V	P004-022-0109	250A	32V/48V/72V/125V
P004-022-0103	80A	32V/48V/72V/125V	P004-022-0110	300A	32V/48V/72V/125V
P004-022-0104	100A	32V/48V/72V/125V	P004-022-0111	350A	32V/48V/72V/125V
P004-022-0105	125A	32V/48V/72V/125V	P004-022-0112	400A	32V/48V/72V/125V
P004-022-0106	150A	32V/48V/72V/125V	P004-022-0113	450A	32V/48V/72V/125V
P004-022-0107	175A	32V/48V/72V/125V	P004-022-0114	500A	32V/48V/72V/125V

# Fuse

6

## AFS FUSE

P004-023-0001

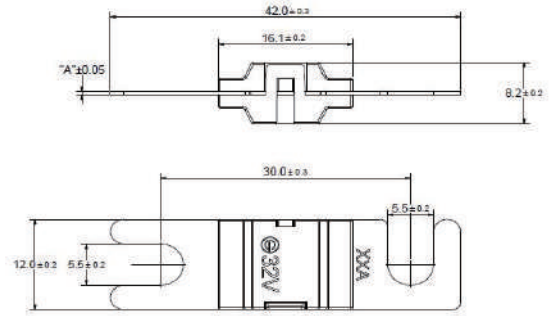


\* Interrupting ratings: 1000Amp at 32V DC

\* Operating temperature range: -40~85 °C

\* Mounting with M5 stud and mounting torque 6 Nm Max.

\* Housing: Thermoplastic , Fuse-link: alloy material, gold plated



Part Number	Ampere(A)	Voltage(VDC)	Color Code	Part Number	Ampere(A)	Voltage(VDC)	Color Code
P004-023-0001	30A	32V	Orange	P004-023-0006	80A	32V	Clear
P004-023-0002	40A	32V	Green	P004-023-0007	100A	32V	Blue
P004-023-0003	50A	32V	Red	P004-023-0008	125A	32V	Pink
P004-023-0004	60A	32V	Yellow	P004-023-0009	150A	32V	Gray
P004-023-0005	70A	32V	Brown	P004-023-0010	200A	32V	Violet

## Mini Fuse Puller & Tester with LED

P004-023-0003

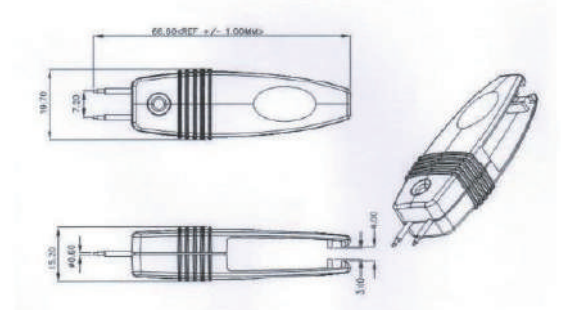


\* Applications: MINI Fuse

\* Body Color: White , LED: Φ3.0mm Color: Green

\* Dimensions(L\*W\*H)66.6\*19.7\*15.2 mm

\* Fuse Testing: If the fuse is broken, the LED will no lighth, if the fuse remains functional, the LED will light.



## Blade Fuse Puller & Tester with LED

P004-023-0004

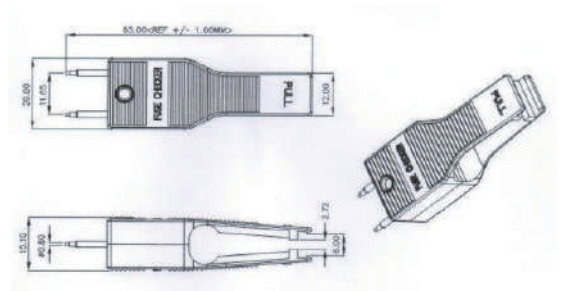


\* Applications: ATO Fuse

\* Body Color: White , LED: Φ3.0mm Color: Green

\* Dimensions(L\*W\*H)65\*20.1\*15.1 mm

\* Fuse Testing: If the fuse is broken, the LED will no lighth, if the fuse remains functional, the LED will light.



# Fuse

7

## AUTO FUSE PULLER

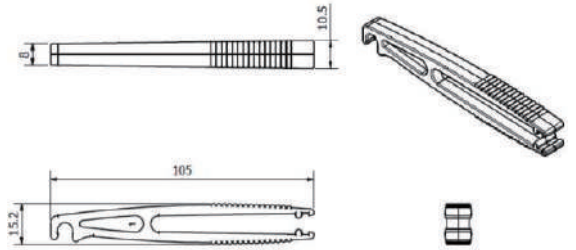
P004-023-0005

\*Metal Material : ABS Plastic (#PA-707 CHI MEI) UL Card : E56070

\*Color : Orange.

\*Dimensions : (L\*W\*H)105\*10.5\*15.2mm

\*Product meets RoHS.

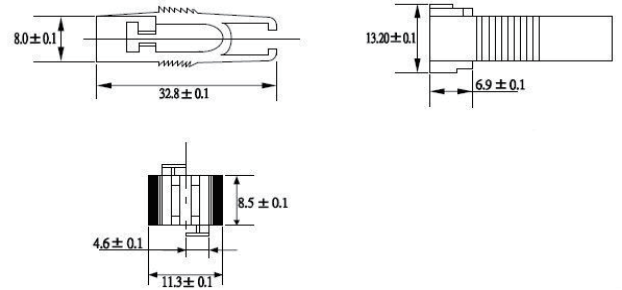


## MINI FUSE PULLER

P004-023-0006

\*Metal Material : ABS Plastic

\*Color : Orange



## ATL Fuse Link

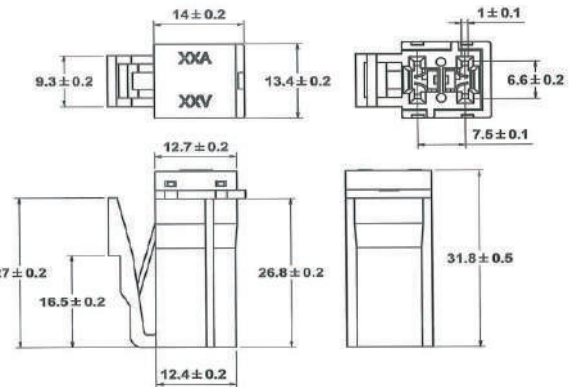
P004-024-0001

\*Voltage Rating: 32 VDC

\*Interrupting Rating: 1000A @ 32 VDC

\*Operating Temperature Range: -40°C to +125°C

\*Electrical Characteristics: Standard according to JASO D612 Rating: 1000A @ 32 VDC



## ATP Fuse Link

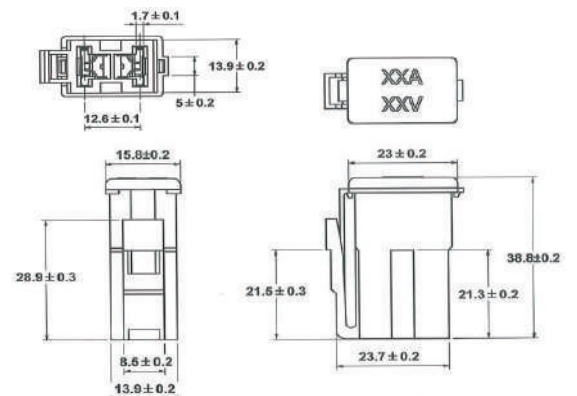
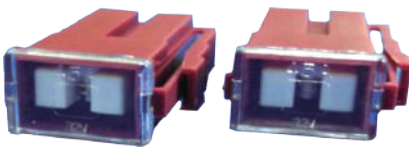
P004-025-0001

\*Voltage Rating: 32 VDC

\*Interrupting Rating: 1000A @ 32 VDC

\*Operating Temperature Range: -40°C to +125°C

\*Electrical Characteristics: Standard according to JASO D612



# Fuse

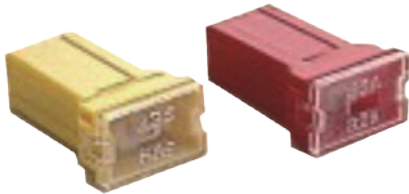
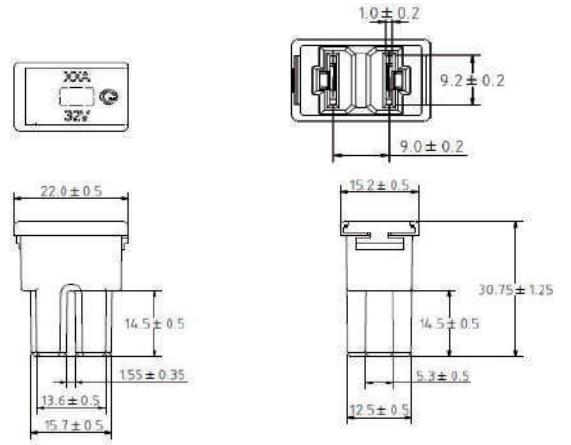
8



## ATH-A2 Fuse Link

P004-026-0001

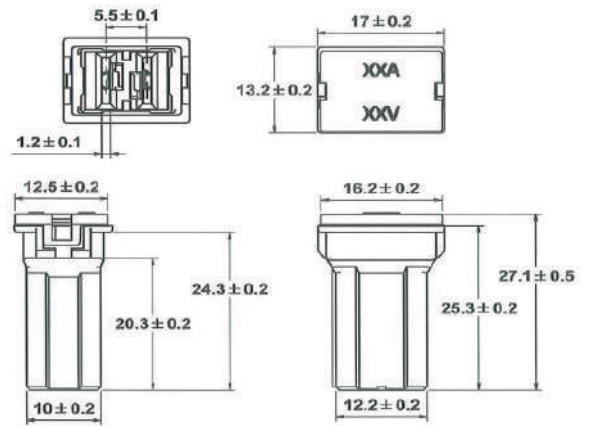
- \*Voltage Rating: 32 VDC
- \*Interrupting Rating: 1000A @ 32 VDC
- \*Operating Temperature Range: -40°C to +125°C
- \*Electrical Characteristics: Standard according to JASO D612



## ATF Fuse Link

P004-027-0001

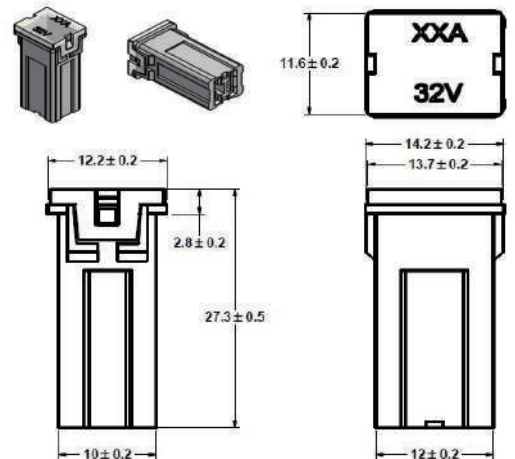
- \*Voltage Rating: 32 VDC
- \*Interrupting Rating: 1000A @ 32 VDC
- \*Operating Temperature Range: -40°C to +125°C
- \*Electrical Characteristics: Standard according to JASO D612



## ATE (J series) Fuse Link

P004-028-0001

- \*Voltage Rating: 32 VDC
- \*Interrupting Rating: 1000A @ 32 VDC
- \*Operating Temperature Range: -40°C to +125°C
- \*Electrical Characteristics: Standard according to ISO 8820-4:2002



# Fuse

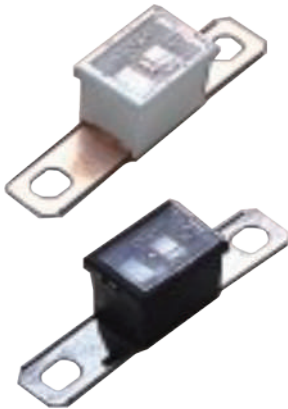
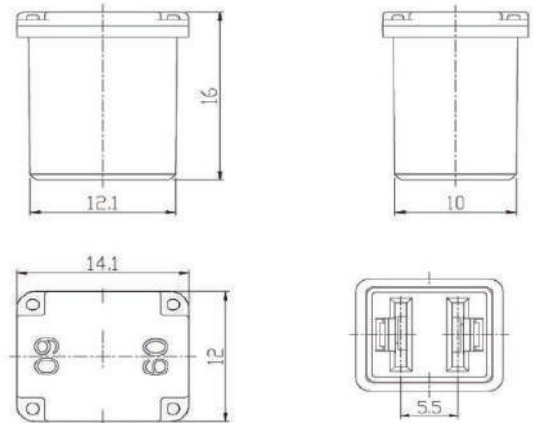
9



## LP TYPE Fuse Link

P004-029-0001

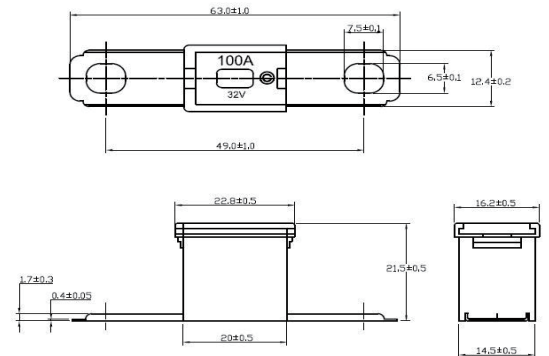
- \*Voltage Rating: 32 VDC
- \*Interrupting Rating: 1000A @ 32 VDC
- \*Operating Temperature Range: -40°C to +125°C
- \*Electrical Characteristics: Standard according to ISO 8820-4:2002



## ATI Fuse Link

P004-030-0001

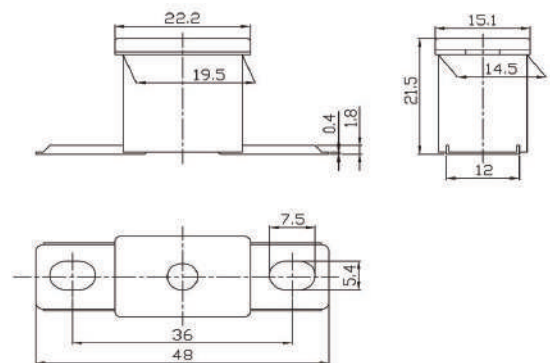
- \*Voltage Rating: 32 VDC
- \*Interrupting Rating: 1000A @ 32 VDC
- \*Operating Temperature Range: -40°C to +125°C
- \*Electrical Characteristics: Standard according to JASO D612



## ATIS Fuse Link

P004-031-0001

- \*Voltage Rating: 32 VDC
- \*Interrupting Rating: 1000A @ 32 VDC
- \*Operating Temperature Range: -40°C to +125°C
- \*Electrical Characteristics: Standard according to JASO D612



# Fuse

10



## ATK-B1 Fuse Link

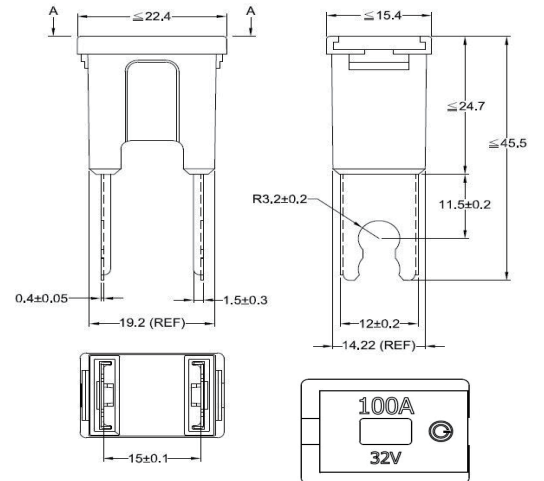
**P004-029-0001**

\*Voltage Rating: 32 VDC

\*Interrupting Rating: 1000A @ 32 VDC

\*Operating Temperature Range: -40°C to + 125°C

\* Electrical Characteristics: Standard according to JASO D612



## AML FUSE

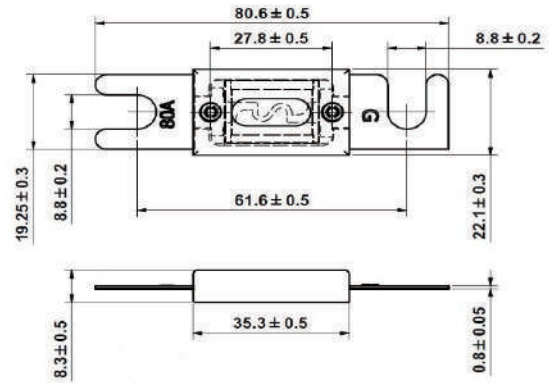
**P004-033-0001**

\*Interrupting ratings: 1000Amp at 32V DC

\*Insulating body : Bakelite

\*Strip: Brass (35~80A)/Copper Alloy(100~300A)

\*Finishing:Gold-plated or Nickel-plated



Part Number	Ampere(A)	Voltage(VDC)	Part Number	Ampere(A)	Voltage(VDC)
P004-033-0001	40A	32V	P004-033-0010	175A	32V
P004-033-0002	50A	32V	P004-033-0011	180A	32V
P004-033-0003	60A	32V	P004-033-0012	200A	32V
P004-033-0004	70A	32V	P004-033-0013	225A	32V
P004-033-0005	80A	32V	P004-033-0014	250A	32V
P004-033-0006	100A	32V	P004-033-0015	SB250A	32V
P004-033-0007	125A	32V	P004-033-0016	275A	32V
P004-033-0008	130A	32V	P004-033-0017	300A	32V
P004-033-0009	150A	32V			

# Fuse

11



## ATK-B1(O) Fuse Link

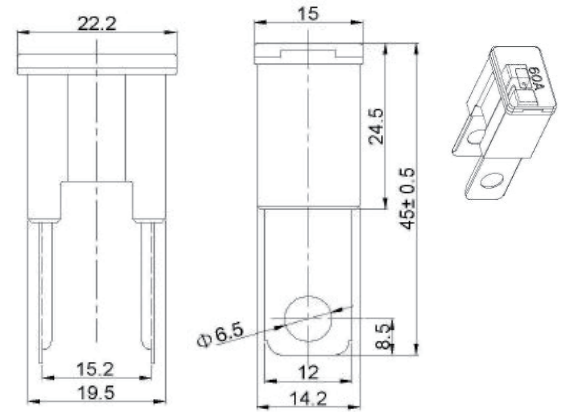
P004-034-0001

\*Voltage Rating: 32 VDC

\*Interrupting Rating: 1000A @ 32 VDC

\*Materials: 1. Brass 2. Nylon 66 With Glass Fiber

\*This product meets the ROHS standard



## M-TYPE Fuse Link

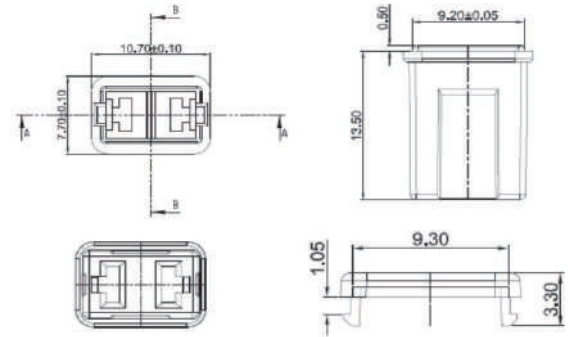
P004-035-0001

\*Voltage Rating: 32 VDC

\*Interrupting Rating: 1000A @ 32 VDC

\*Operating Temperature Range: -40°C to +125°C

\*This product meets the ROHS standard



Part Number	Ampere(A)	Voltage(VDC)	Color Code
P004-035-0001	15A	32V	Grey
P004-035-0002	20A	32V	Light Blue
P004-035-0003	25A	32V	White
P004-035-0004	30A	32V	Pink
P004-035-0005	40A	32V	Green

## MICRO3 BLADE FUSE

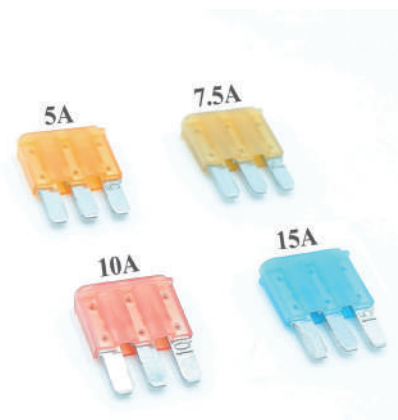
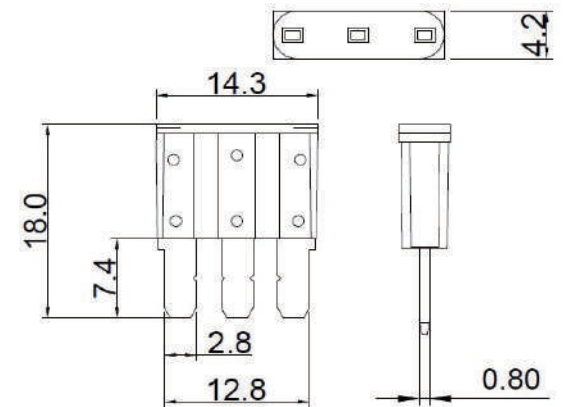
P004-036-0003

\*Voltage Rating: 32 VDC

\*Interrupting Ratings: 1000A @ 32 VDC

\*Operating Temperature Range: -40°C to +125°C

\*Body : PA66.



Part Number	Ampere(A)	Voltage(VDC)	Color Code
P004-036-0003	5A	32V	Tan
P004-036-0004	7.5A	32V	Brown
P004-036-0005	10A	32V	Red
P004-036-0006	15A	32V	Blue



# Fuse

12



## Fuse Links Mini Female Type

**P004-037-0001**

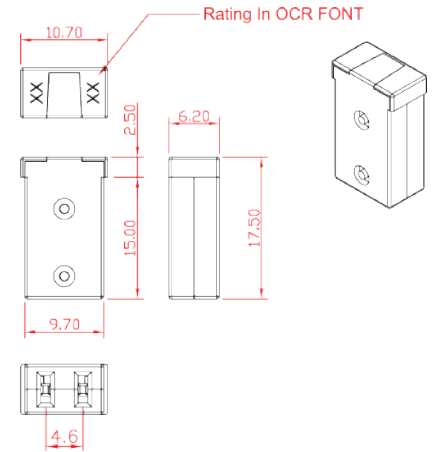
\* Voltage Rating: 58VDC  
Interrupting Rating: 1000A 58VDC

\* Operating Temperature Range: -40~ +125°C

\* Housing Material: PA66+GF Cover Material: PA66

\* Insertion Force: 45N Max.

\* Extraction Force: 4N Min. / 35N Max



Part Number	Ampere(A)	Voltage(VDC)	Color Code
P004-037-0001	15A	32V	Blue
P004-037-0002	20A	32V	White
P004-037-0003	25A	32V	Pink
P004-037-0004	30A	32V	Green
P004-037-0005	40A	32V	Gray

## Fuse Links Mini Female Type

**P004-038-0001**

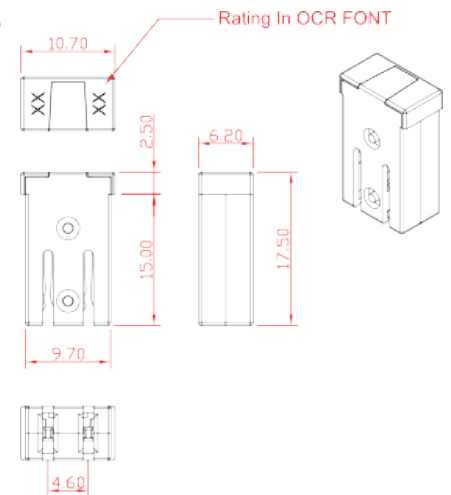
\* Voltage Rating: 58VDC  
Interrupting Rating: 1000A 58VDC

\* Operating Temperature Range: -40~ +125°C

\* Housing Material: PA66+GF Cover Material: PA66

\* Insertion Force: 45N Max.

\* Extraction Force: 4N Min. / 35N Max



Part Number	Ampere(A)	Voltage(VDC)	Color Code
P004-038-0001	15A	32V	Gray
P004-038-0002	20A	32V	Blue
P004-038-0003	25A	32V	White
P004-038-0004	30A	32V	Pink
P004-038-0005	40A	32V	Green
P004-038-0006	50A	32V	Red
P004-038-0007	60A	32V	Yellow

# Fuse

13



## ATP 80V BLADE FUSE

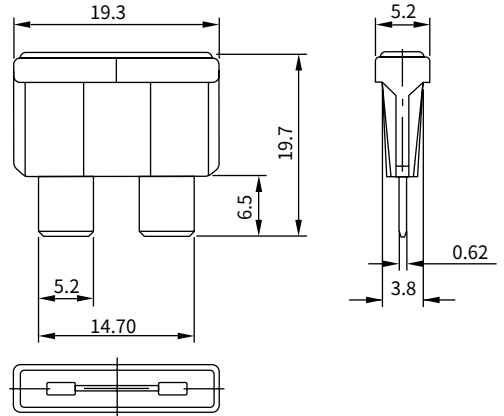
**P004-101-0001**

\*Voltage Rating: 80VDC ,  
Interrupting: 1000A@80V DC

\*Terminals: Copper alloy , Sn plated

\*Housing Material: Nylon

\*Approval: UL



Part Number	Ampere(A)	Voltage(VDC)	Color Code	Part Number	Ampere(A)	Voltage(VDC)	Color Code
P004-101-0001	1A	80V	Black	P004-101-0015	15A	80V	Blue
P004-101-0002	2A	80V	Gray	P004-101-0020	20A	80V	Yellow
P004-101-0003	3A	80V	Violet	P004-101-0025	25A	80V	Clear
P004-101-0004	4A	80V	Pink	P004-101-0030	30A	80V	Green
P004-101-0005	5A	80V	Tan	P004-101-0035	35A	80V	Purple
P004-101-00075	7.5A	80V	Brown	P004-101-0040	40A	80V	Orange
P004-101-0010	10A	80V	Red				



## MAX 80V BLADE FUSE

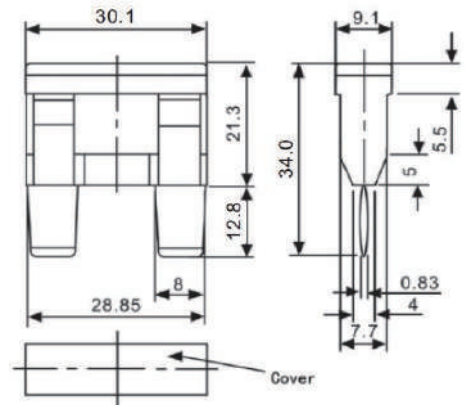
**P004-102-0020**

\*Voltage Rating: 80VDC ,  
Interrupting: 1000A@80V DC

\*Terminal:Copper tin plating

\*Housing Material: Nylon

\*Approval: UL, Standards compliant:SAE J2077, ISO 8820, UL2458 Special Purpose Fuse



Part Number	Ampere(A)	Voltage(VDC)	Color Code	Part Number	Ampere(A)	Voltage(VDC)	Color Code
P004-102-0020	20A	80V	Tam	P004-102-0060	60A	80V	Blue
P004-102-0025	25A	80V	Green	P004-102-0070	70A	80V	Brown
P004-102-0030	30A	80V	Tam	P004-102-0080	80A	80V	White
P004-102-0040	40A	80V	Amber	P004-102-0100	100A	80V	Brown
P004-102-0050	50A	80V	Red				

# Fuse

14

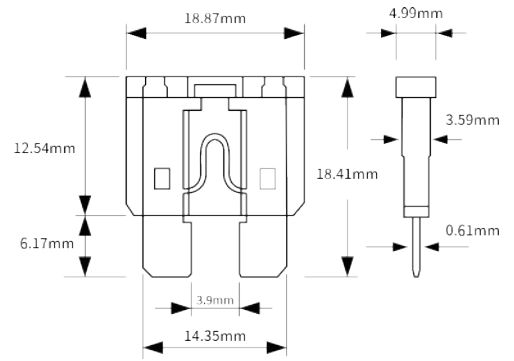


## ATP LED FUSE

P004-003-0001

### ELECTRICAL CHARACTERISTICS

%of Ampere Rating	Current Rating	Operating Time	
		Min.	Max.
110%	2~40 Amp	100Hours	---
135%	2~40 Amp	0.75 Sec	1800 Sec
200%	2~40 Amp	0.15 Sec	5 Sec
350%	2~40 Amp	0.08 Sec	0.25 Sec.



Part Number	Ampere(A)	Voltage(VDC)	Color Code	Part Number	Ampere(A)	Voltage(VDC)	Color Code
P004-003-0082	2A	32V	Gray	P004-003-0006	15A	32V	Blue
P004-003-0001	3A	32V	Violet	P004-003-0007	20A	32V	Yellow
P004-003-0002	4A	32V	Pink	P004-003-0008	25A	32V	Natural
P004-003-0003	5A	32V	Tan	P004-003-0009	30A	32V	Green
P004-003-0004	7.5A	32V	Brown	P004-003-0083	35A	32V	Blue Green
P004-003-0005	10A	32V	Red	P004-003-0084	40A	32V	Orange

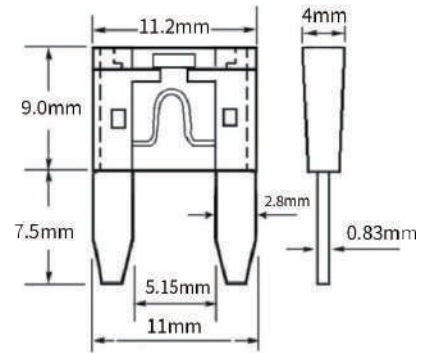


## ASP LED FUSE

P004-006-0001

### ELECTRICAL CHARACTERISTICS

%of Ampere Rating	Current Rating	Operating Time	
		Min.	Max.
110%	2~40 Amp	100Hours	---
135%	2~40 Amp	0.75 Sec	1800 Sec
200%	2~40 Amp	0.15 Sec	5 Sec
350%	2~40 Amp	0.08 Sec	0.25 Sec.



Part Number	Ampere(A)	Voltage(VDC)	Color Code	Part Number	Ampere(A)	Voltage(VDC)	Color Code
P004-006-0082	2A	32V	Gray	P004-006-0006	15A	32V	Blue
P004-006-0001	3A	32V	Violet	P004-006-0007	20A	32V	Yellow
P004-006-0002	4A	32V	Pink	P004-006-0008	25A	32V	Natural
P004-006-0003	5A	32V	Tan	P004-006-0009	30A	32V	Green
P004-006-0004	7.5A	32V	Brown	P004-006-0086	35A	32V	Blue Green
P004-006-0005	10A	32V	Red	P004-006-0087	40A	32V	Orange

# Fuse

15

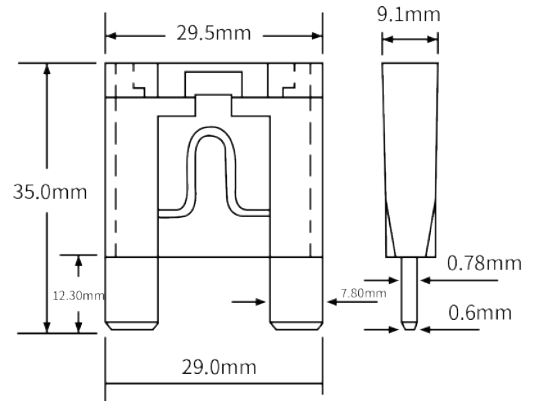


## AMP LED FUSE

P004-007-0001

### ELECTRICAL CHARACTERISTICS

% of Ampere Rating	Current Rating	Operating Time	
		Min.	Max.
110%	20~100 Amp	100Hours	---
135%	20~100 Amp	0.6 Sec	1800 Sec.
200%	20~100 Amp	0.2 Sec	60 Sec.
350%	20~100 Amp	0.02 Sec	7 Sec.



Part Number	Ampere(A)	Voltage(VDC)	Color Code	Part Number	Ampere(A)	Voltage(VDC)	Color Code
P004-007-0001	20A	32V	Yellow	P004-007-0005	60A	32V	Blue
P004-007-0002	30A	32V	Green	P004-007-0006	70A	32V	Orange
P004-007-0003	40A	32V	Tan	P004-007-0007	80A	32V	Natural
P004-007-0004	50A	32V	Red	P004-007-0008	100A	32V	Violet

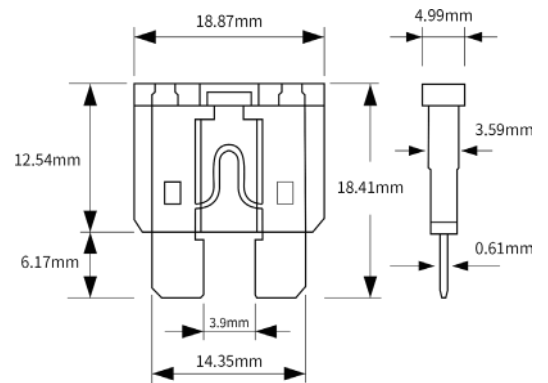


## ATP FUSE

P004-001-0003

### ELECTRICAL CHARACTERISTICS

% of Ampere Rating	Current Rating	Operating Time	
		Min.	Max.
110%	2~40 Amp	100Hours	---
135%	2~40 Amp	0.75 Sec	1800 Sec
200%	2~40 Amp	0.15 Sec	5 Sec
350%	2~40 Amp	0.08 Sec	0.25 Sec.



Part Number	Ampere(A)	Voltage(VDC)	Color Code	Part Number	Ampere(A)	Voltage(VDC)	Color Code
P004-001-0010	2A	32V	Gray	P004-001-0006	15A	32V	Blue
P004-001-0001	3A	32V	Violet	P004-001-0007	20A	32V	Yellow
P004-001-0002	4A	32V	Pink	P004-001-0008	25A	32V	Natural
P004-001-0003	5A	32V	Tan	P004-001-0009	30A	32V	Green
P004-001-0004	7.5A	32V	Brown	P004-001-0011	35A	32V	Blue Green
P004-001-0005	10A	32V	Red	P004-001-0012	40A	32V	Orange

# Fuse

16

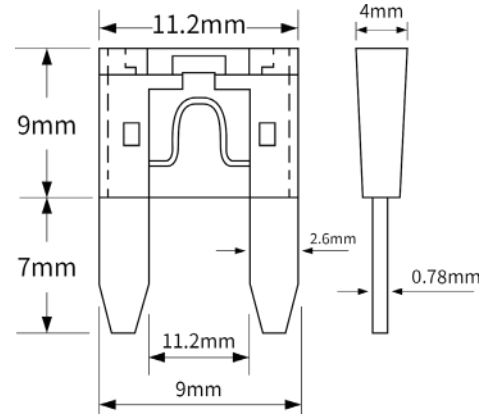


## ASP BLADE FUSE

P004-008-0001

### ELECTRICAL CHARACTERISTICS

%of Ampere Rating	Current Rating	Operating Time	
		Min.	Max.
110%	2~40 Amp	100Hours	---
135%	2~40 Amp	0.75 Sec	1800 Sec
200%	2~40 Amp	0.15 Sec	5 Sec
350%	2~40 Amp	0.08 Sec	0.25 Sec.



Part Number	Ampere(A)	Voltage(VDC)	Color Code	Part Number	Ampere(A)	Voltage(VDC)	Color Code
P004-004-0001	2A	32V	Gray	P004-004-0006	15A	32V	Blue
P004-004-0002	3A	32V	Violet	P004-004-0007	20A	32V	Yellow
P004-004-0012	4A	32V	Pink	P004-004-0008	25A	32V	Natural
P004-004-0003	5A	32V	Tan	P004-004-0009	30A	32V	Green
P004-004-0004	7.5A	32V	Brown	P004-004-0010	35A	32V	Blue Green
P004-004-0005	10A	32V	Red	P004-004-0011	40A	32V	Orange

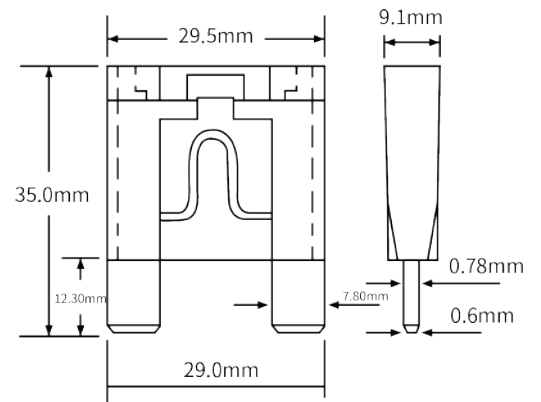


## AMP FUSE

P004-008-0001

### ELECTRICAL CHARACTERISTICS

%of Ampere Rating	Current Rating	Operating Time	
		Min.	Max.
110%	20~100 Amp	100Hours	---
135%	20~100 Amp	0.6 Sec	1800 Sec.
200%	20~100 Amp	0.2 Sec	60 Sec.
350%	20~100 Amp	0.02 Sec	7 Sec.



Part Number	Ampere(A)	Voltage(VDC)	Color Code	Part Number	Ampere(A)	Voltage(VDC)	Color Code
P004-008-0001	20A	32V	Yellow	P004-008-0005	60A	32V	Blue
P004-008-0002	30A	32V	Green	P004-008-0006	70A	32V	Orange
P004-008-0003	40A	32V	Tan	P004-008-0007	80A	32V	Natural
P004-008-0004	50A	32V	Red	P004-008-0008	100A	32V	Violet

# Fuse

16



## LOW PROFILE MINI FUSE

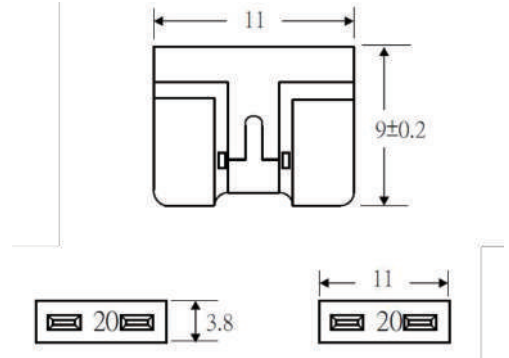
**P004-014-0003**

\*Voltage Rating: 32 VDC

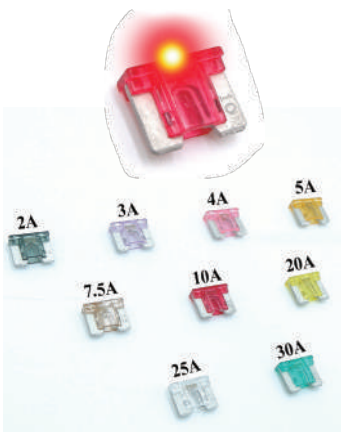
\*Interrupting Ratings: 1000A @ 32 VDC

\*Body : Plastic.

\*Metal:Zinc Alloy Strip.



Part Number	Ampere(A)	Voltage(VDC)	Color Code	Part Number	Ampere(A)	Voltage(VDC)	Color Code
P004-014-0010	2A	32V	Gray	P004-014-0005	10A	32V	Red
P004-014-0011	3A	32V	Violet	P004-014-0006	15A	32V	Blue
P004-014-0012	4A	32V	Pink	P004-014-0007	20A	32V	Yellow
P004-014-0003	5A	32V	Tan	P004-014-0008	25A	32V	Natural
P004-014-0004	7.5A	32V	Brown	P004-014-0009	30A	32V	Green



## LOW PROFILE LED MINI FUSE

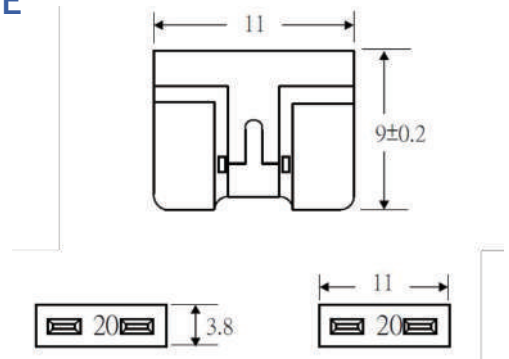
**P004-015-0003**

\*Voltage Rating: 32 VDC

\*Interrupting Ratings: 1000A @ 32 VDC

\*Body : Plastic.

\*Metal:Zinc Alloy Strip.



Part Number	Ampere(A)	Voltage(VDC)	Color Code	Part Number	Ampere(A)	Voltage(VDC)	Color Code
P004-015-0010	2A	32V	Gray	P004-015-0005	10A	32V	Red
P004-015-0011	3A	32V	Violet	P004-015-0006	15A	32V	Blue
P004-015-0012	4A	32V	Pink	P004-015-0007	20A	32V	Yellow
P004-015-0003	5A	32V	Tan	P004-015-0008	25A	32V	Natural
P004-015-0004	7.5A	32V	Brown	P004-015-0009	30A	32V	Green